

EZUp Instruction kit

## Mitsubishi EZUp Hoodlift

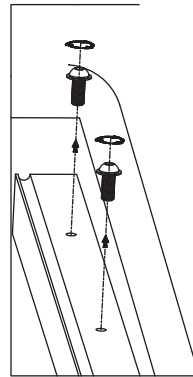
## HL0100

**1** **OPEN HOOD OF VEHICLE USING ROD TO KEEP HOOD OPEN WHILST YOU WORK**

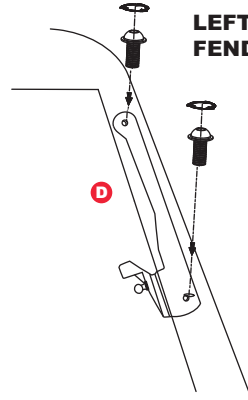
The LHS is determined when Driver is sitting in the Vehicle

**2** **FRONT OF VEHICLE**

Remove both bolts



**LEFT HAND SIDE FENDER**



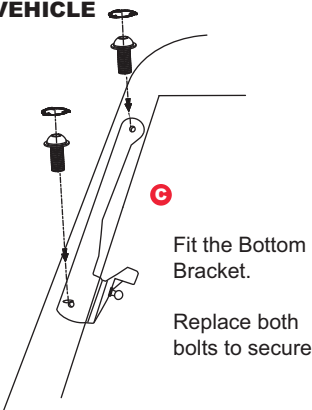
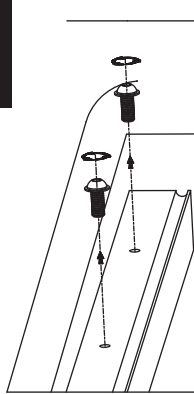
Fit the Bottom Bracket.

Replace both bolts to secure.

**3** **FRONT OF VEHICLE**

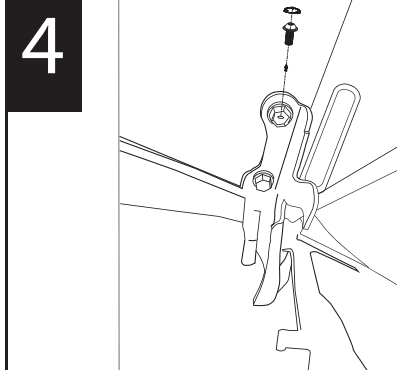
Remove both bolts

**RIGHT HAND SIDE FENDER**



Fit the Bottom Bracket.

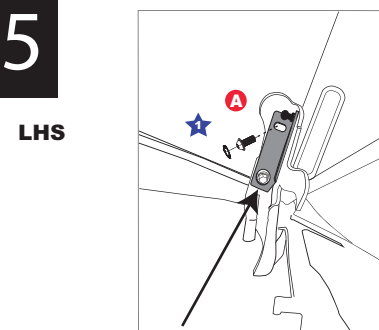
Replace both bolts to secure.



On the hood remove the top bolt and leave the bottom bolt in place

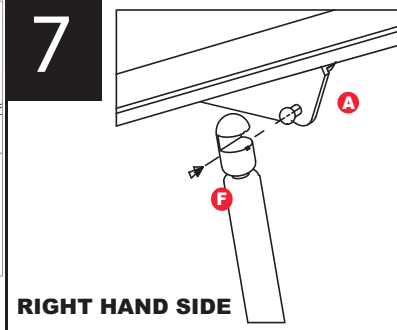
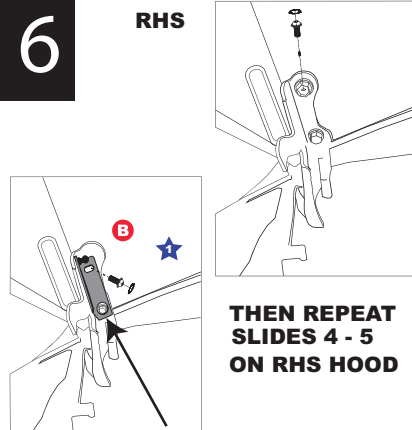
**5** **LHS**

Bracket slides on to the remaining bolt. Replace the top bolt that was removed. Ensure Ball Stud on bracket is facing into the engine.



**6** **RHS**

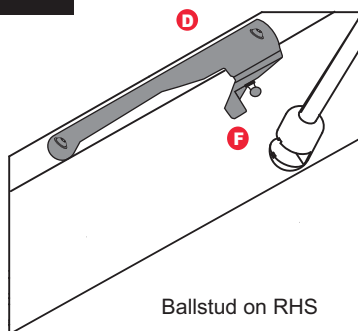
**THEN REPEAT SLIDES 4 - 5 ON RHS HOOD**



**RIGHT HAND SIDE**

Fit the Lift-O-Mat to the hood first on both sides with the piston rod facing down. Then lift the hood slightly and remove the Rod and fold away.

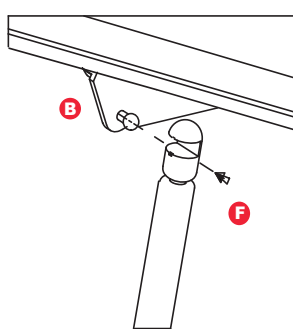
**8** Fit the Ball Socket onto the Fender Bracket



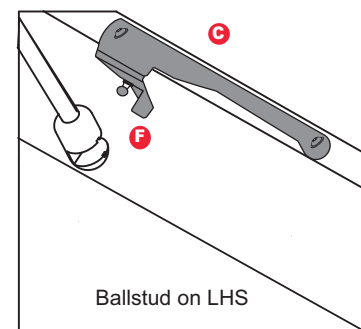
Ballstud on RHS

**9**

**LEFT HAND SIDE**



**10** Fit the Ball Socket onto the Fender Bracket for LHS as per slide 8



Ballstud on LHS

**NB: After installation open Hood/Bonnet gently to ensure that there is no interference with any hardware.**

FITTING KIT CODE	MANUFACTURER	MODEL TYPE	YEAR	PRODUCT	REVISION	LABOUR TIME	DATE	PAGE
HL0100	MITSUBISHI	TRITON	2016 2ND INTRO	EZUp	1	30min	14/10/2017	1
TORQUE-N.m	★ 25N.m ± 2N.m							

**IMPORTANT:**

No liability will be incurred by Industrial Specialised Applications company, for injury, death, or property damage caused by a product which has been set up, operated, and/or installed contrary to EZUp installation guide/ manual, or which has been subjected to misuse, negligence, or accident, or which has been repaired or altered by anyone other than Industrial Specialised Applications, or which has been used in a manner or for a purpose for which the product was not designed.