

OWNER'S MANUAL | ASSEMBLY INSTRUCTIONS FOR OUTDOOR GAS APPLIANCE

# 17" GRIDDLE

## TABLE OF CONTENTS

IMPORTANT SAFETY INFORMATION .....	02
CUSTOMER SUPPORT .....	03
ASSEMBLY GUIDE .....	04
USING YOUR BLACKSTONE .....	07
TROUBLESHOOTING .....	13

### IMPORTANT:

Use outdoors only.

Read the instructions before using the appliance.

Retain this manual for future reference.

If you have any questions concerning assembly or operation, consult your dealer or LPG Gas Company.

### SAFETY ALERT KEY

#### ⚠ DANGER

Indicates a hazardous situation that, if not avoided, will result in death or serious injury.

#### ⚠ WARNING

Indicates a hazardous situation that, if not avoided, could result in death or serious injury.

#### ⚠ CAUTION

Indicates a hazardous situation that, if not avoided, could result in minor or moderate injury.

#### NOTICE


Indicates information considered important, but not hazard-related (e.g. messages related to property damage).

# IMPORTANT SAFETY INFORMATION

ENGLISH

FOR YOUR SAFETY
<p>If you smell gas:</p> <ol style="list-style-type: none"> <li>1. Turn off gas supply at gas cylinder.</li> <li>2. Extinguish all naked flames; do not operate any electrical appliances.</li> <li>3. Ventilate the area.</li> <li>4. Check for leaks as detailed in this manual.</li> <li>5. If odour persists, contact your dealer or gas supplier immediately.</li> </ol>

PRECAUTIONS
<ol style="list-style-type: none"> <li>1. Leak test all connections after each tank refill.</li> <li>2. Never check for leaks with a naked flame, always use a soapy water solution.</li> <li>3. DO NOT store or use gasoline or other flammable vapours and liquids in the vicinity of this appliance.</li> <li>4. Any gas cylinder not connected for use shall not be stored in the vicinity of this or any other appliance.</li> </ol>



**HAZARDOUS FIRE OR EXPLOSION MAY RESULT IF INSTRUCTIONS ARE IGNORED.**

It is the consumer's responsibility to see that the appliance is properly assembled, installed, and taken care of. Failure to follow instructions in this manual could result in injury and/or property damage.

<b>MODEL/TYPE NO.</b>	2142EU			<b>CE</b> 2531-23	<b>UK</b> <b>CA</b> 8504-23
<b>HEAT INPUT:</b>	1 x 3.5 kW	<b>TOTAL:</b>	3.5 kW (254.5 g/h)		
<b>GAS CATEGORY:</b>	<b>I3+(28~30/ 37)</b>		<b>I3B/P(30)</b>	<b>I3B/P(50)</b>	
<b>TYPES OF GAS:</b>	Butane (G30)	Propane (G31)	G30, G31 or their mixtures		G30, G31 or their mixtures
<b>GAS PRESSURE:</b>	(28-30) mbar	37mbar	(28-30) mbar	50 mbar	
<b>PIN CODE:</b>	<b>CE:</b> 2531DN-0117		<b>UKCA:</b> 8504DO-0003		<b>UKCA:</b> 8504DO-0003
	BE, FR, IT, LU, IE, GB, GR, PT, ES, CY, CZ, LT, CH, SI, LV, TR		LU, NL, DK, FI, SE, CY, CZ, EE, LT, MT, SK, SI, BG, IS, NO, HR, RO, IT, HU, LV, GR		DE, AT, CH, SK
<b>Use outdoors only.</b>					
<b>Read the instructions before using the appliance.</b>					
<b>⚠ WARNING: Accessible parts may be very hot. Keep young children away.</b>					
<b>This appliance must be kept away from flammable materials during use.</b>					
<b>DO NOT move the appliance during use.</b>					
<b>Turn off the gas supply at the gas cylinder after use.</b>					
<b>DO NOT modify the appliance.</b>					

### REGULATOR AND HOSE REQUIREMENTS

- Use only regulators and hose approved for LP Gas at the above pressures. The hose used must conform to the relevant standard for the country of use.
- Use a suitable regulator that is certified to BSEN 12864 or EN 16129. Make sure the regulator and flexible hose comply with local code.
- The length of flexible hose shall not exceed 1.5m. In Finland, the length shall not exceed 1.2m. The hose should be certified according to applicable EN Standard and comply with local code.

Please consult your LPG dealer for information regarding a suitable regulator for the gas cylinder.

**⚠ WARNING**

The use of the wrong regulator or hose is unsafe; always check that you have the correct items before operating the appliance.

This appliance is only suitable for use with low-pressure butane or propane gas or LPG mixtures, fitted with the appropriate low-pressure regulator via a flexible hose.

The life expectancy of the regulator and hose is estimated as 2 years.

# CUSTOMER SUPPORT

## CONTACT US

For all questions, inquiries, or customer support, please contact:

**Griddle Masters Europe ApS**

**Blackstone Europe**

**Tel. +45 2424 7709**

**Nordre Strandvej 119, 3150 Hellebæk**

**Denmark**

**[www.blackstone-europe.com](http://www.blackstone-europe.com)**

## TWO YEAR WARRANTY

North Atlantic Imports, LLC warrants this product against defects in materials and workmanship for a period of two (2) years from the original date of purchase under normal use. To the extent any such defects occur, North Atlantic Imports, LLC, in its discretion, will provide the appropriate replacement part(s) at no charge.

In no event shall North Atlantic Imports, LLC be liable for consequential, indirect or incidental damages resulting from the installation, use or failure of the product.

This warranty DOES NOT cover:

- Inspection costs or labor for replacement of any defective part(s);
- Cosmetic defects which DO NOT affect product performance or integrity;
- Normal wear and tear;
- Damage due to vandalism; acts of nature, including but not limited to wind, storms, hail, floods;
- Improper assembly, installation, or use;
- Discoloration or fading of the finish as a result of exposure to chemicals, spills, pool or salt water;
- Corrosion/ rust.

This product has been designed for safety and quality. Any modifications made to the original product could compromise its structural integrity or function and could lead to product failure or personal injury. As such, modifying this product voids all warranties.

This product is for RESIDENTIAL USE ONLY, and is not for commercial, contract or other non-residential purposes. North Atlantic Imports, LLC disclaims all other representations and warranties of any kind, express or implied.

The warranty applies to the original purchaser and is non-transferable. It does not apply to accessories or parts not supplied with the product, to purchases of display models, or to product that is sold on clearance or "as is". You may, however, have other specific legal rights based on the laws of your specific state or country of residence.

To activate your warranty, register your product at

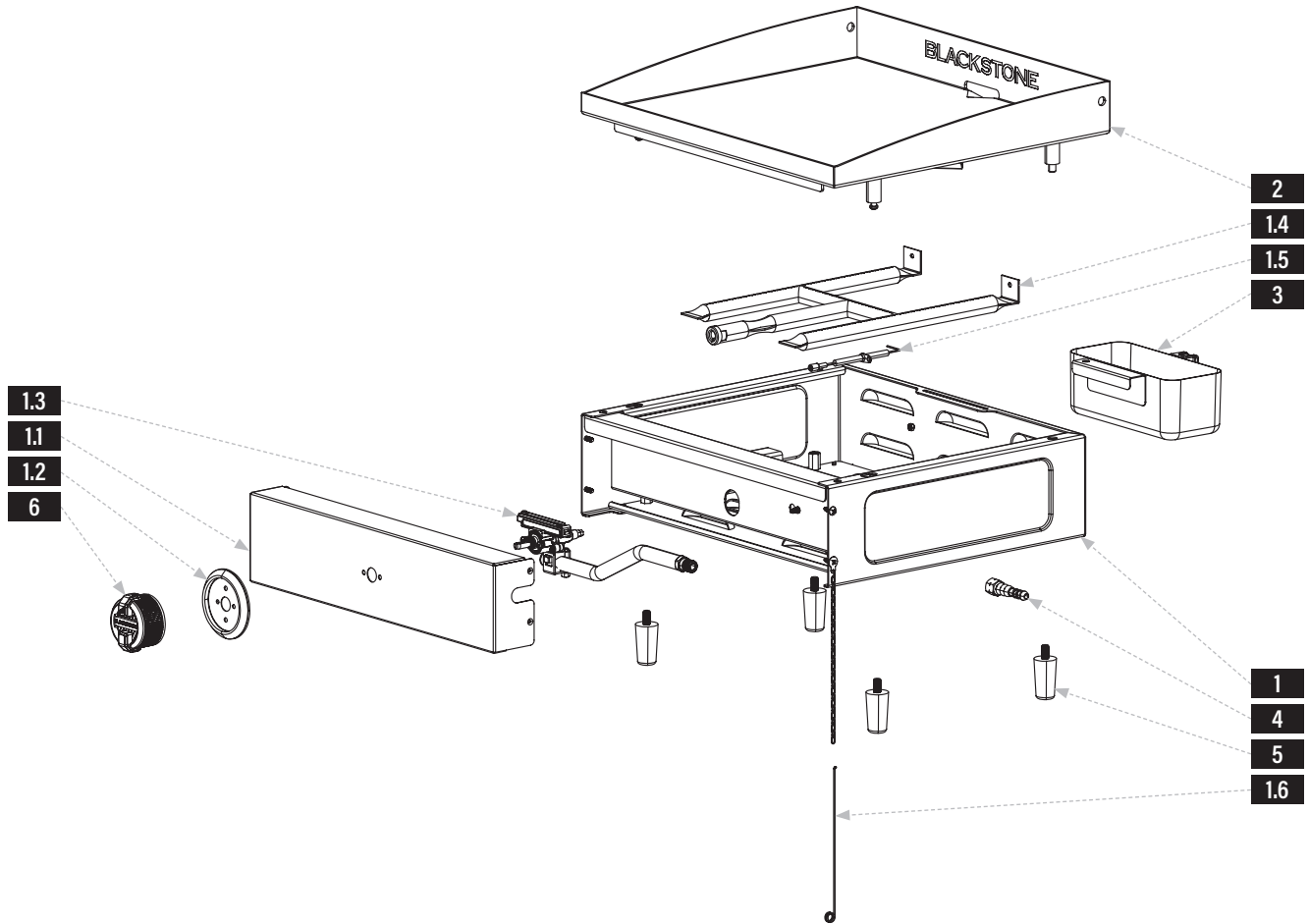
**[blackstone-europe.com/pages/product-registration](http://blackstone-europe.com/pages/product-registration)**

North Atlantic Imports, LLC reserves the right to change or modify this warranty at any time.

# ASSEMBLY GUIDE

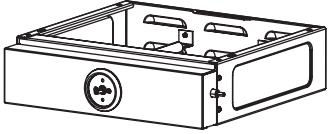
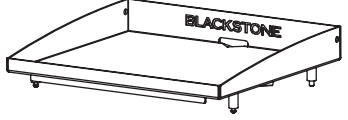
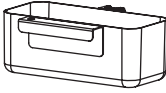
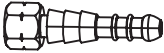


## EXPLODED VIEW

ENGLISH



## PARTS LIST

PARTS	QTY
1.1 Control panel	1
1.2 Control knob bezel	1
1.3 Gas rail	1
1.4 H burner	1
1.5 Ignition needle	1
1.6 Match stick holder	1

<p><b>1</b> Body (1 piece)</p> 	<p><b>2</b> Griddle top (1 piece)</p> 
<p><b>3</b> Grease cup (1 piece)</p> 	<p><b>4</b> Hose barb (1 piece)</p> 
<p><b>5</b> Griddle feet (4 pieces)</p> 	<p><b>6</b> Control knob (1 piece)</p> 





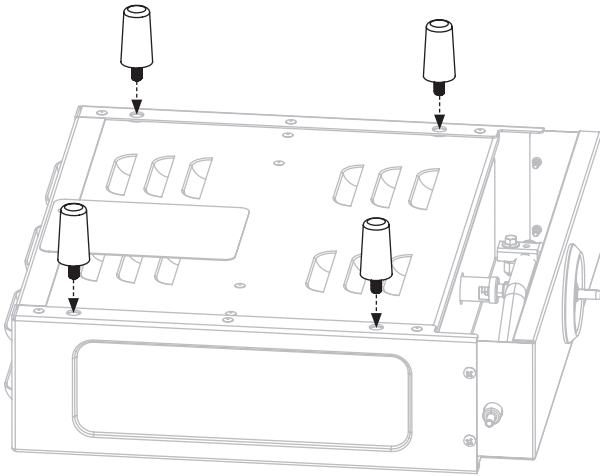
## ASSEMBLY INSTRUCTIONS

Find a large, clean area to assemble your appliance.  
Remove all packing material before assembling.

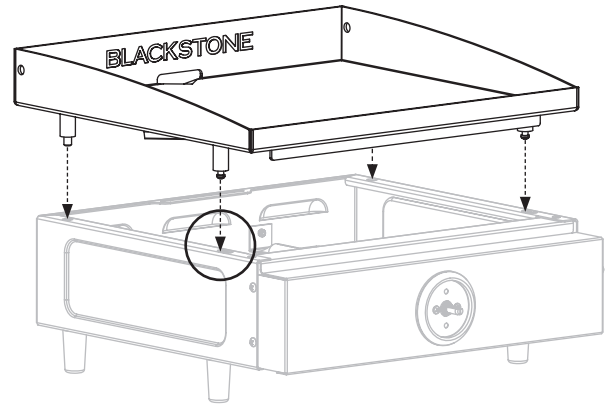
### ⚠ CAUTION

Sharp edges. Wear gloves while assembling.

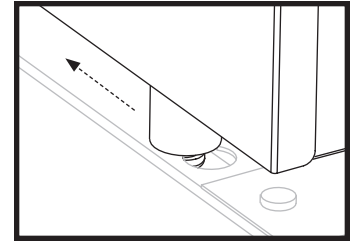
**STEP 01** Place the griddle body upside down on a smooth flat surface. Thread the four (4) griddle feet into the bottom of the griddle.



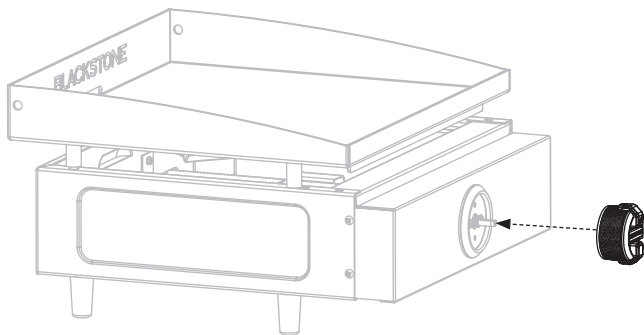
**STEP 02** Set the griddle on its feet. Place the griddle top onto the griddle body by aligning the four pins to the holes of the body.



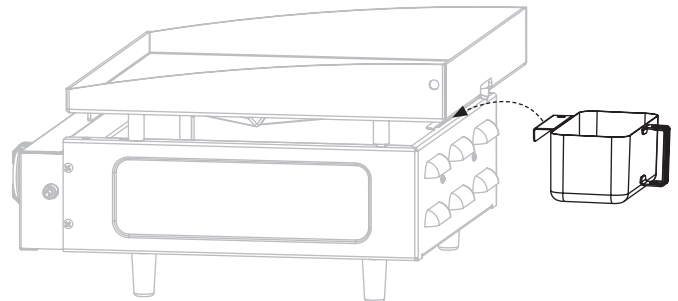
Make sure the front pins are seated in the holes, then push the griddle top back.



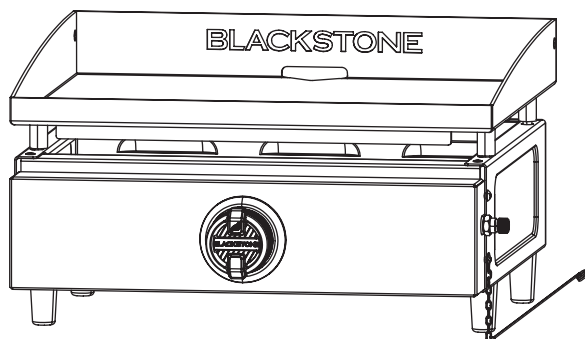
**STEP 03** Install the control knob by pushing it into place in the OFF position.



**STEP 04** Hang the grease cup in the slot on the back of the griddle body.



**STEP 05** Proceed to **USING YOUR BLACKSTONE.**



***NOTICE***

Place appliance on a heat-resistant and flame-resistant surface while in use.



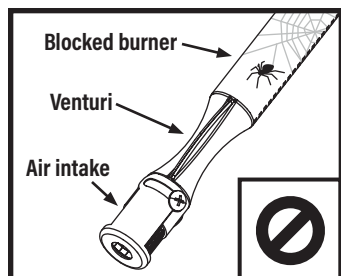
# USING YOUR BLACKSTONE

## BEFORE COOKING

### CHECK BURNERS

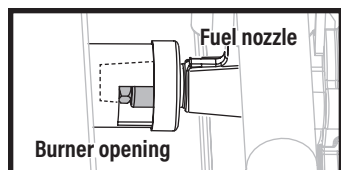
Prior to connection and use, ensure that there is no debris caught in, or damage to, the head of the gas cylinder, regulator, hose, burner and burner ports.

Spiders and insects can nest within and clog the burner/venturi tube at the orifice.



#### ⚠ WARNING

A clogged burner can lead to a fire beneath the appliance. Burner should be removed and cleaned whenever blockages are found.



⚠ Ensure that the gas rail fuel nozzle orifice is correctly engaged within the burner opening.

**THE MINIMUM AMBIENT OPERATING TEMPERATURE IS 0°F (-18°C).**

#### ⚠ DANGER

Flammable items can combust if placed near the appliance. Keep the appliance area clear and free from combustible materials, aerosol containers, gasoline and other flammable vapors and liquids.

#### ⚠ CAUTION

If the appliance is fitted with a paper towel holder, the arm must be in the open position while the appliance is in use.

### IF GREASE OR OTHER HOT MATERIAL DRIPS ONTO VALVE, HOSE OR REGULATOR:

**STEP 01** Turn off gas supply immediately.

**STEP 02** Determine the cause and correct it.

**STEP 03** Clean and inspect valve, hose and regulator.

**STEP 04** Perform a leak test. (Please reference the Leak Test Instructions)

## SETTING UP YOUR OUTDOOR SPACE

### THIS APPLIANCE MUST ONLY BE USED OUTDOORS.

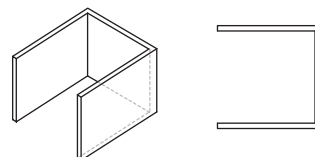
- DO NOT use this appliance inside buildings, garages, or any other enclosed area.
- DO NOT install this appliance in or on a boat.
- DO NOT install this appliance in or on a recreational vehicle.

### SHELTERED OUTDOOR AREAS:

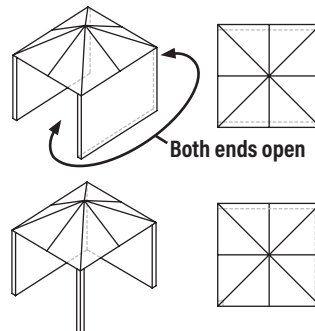
All openings must be permanently open; sliding doors, garage doors, windows or screened openings are not considered as permanent openings.

An appliance is considered to be outdoors if installed with shelter no more inclusive than:

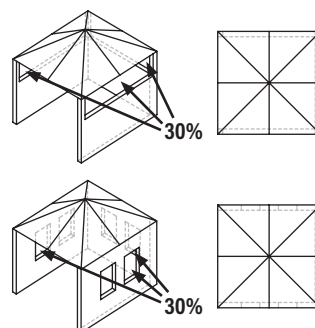
- a. With walls on three sides, but with no overhead cover.



- b. Within a partial enclosure that includes an overhead cover and no more than two side-walls. The sidewalls may be parallel, as in a breezeway, or at right angles to each other.

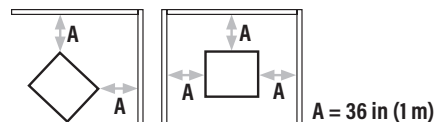


- c. Within a partial enclosure that includes an overhead cover and three sidewalls, as long as 30% or more of the horizontal periphery of the enclosure is permanently open.



### MAINTAIN PROPER CLEARANCES FROM COMBUSTIBLE MATERIAL.

- DO NOT use this appliance on or under any apartment or condominium balcony or deck.
- DO NOT obstruct the flow of combustion and ventilation air.
- DO NOT operate this appliance any closer than 36 in (1 m) from the sides and back of the appliance to combustible construction.



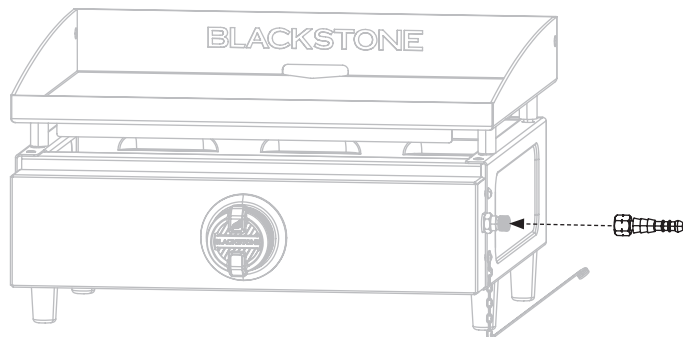
- DO NOT use this appliance under overhead combustible construction.

## ATTACHING THE FUEL CYLINDER

### ATTACHING THE REGULATOR

**STEP 01** The regulator and hose must be connected correctly to the appliance. A spanner must be used to tighten the nut onto the connection thread.

If using a fuel clamp, attach the hose barb to the gas rail.  
(Barb is left hand thread.)



**STEP 02** If the hose is replaced it must be secured to the appliance and regulator connections with hose clips.

#### AVOID TWISTING THE FLEXIBLE TUBE WHEN THE APPLIANCE IS IN USE.

- Ensure that the hose is not obstructed, kinked, or in contact with any part of the appliance other than at its connection.
- Worn or damaged hose must be replaced.
- Check the rubber O-ring on the regulator end of the hose assembly at least once a year. If it appears worn or cracked, have it replaced.
- Disconnect the regulator from the cylinder (according to the directions supplied with the regulator) when the appliance is not in use.

### LEAK TEST INSTRUCTIONS

**STEP 01** Make 2-3 fluid ounces of leak detecting solution by mixing one part washing up liquid with 3 parts water.

**STEP 02** Turn off the gas supply at the gas cylinder valve.

**STEP 03** Ensure the control valve is "OFF".

**STEP 04** Connect the regulator to the cylinder and ON/OFF valve to the burner, ensure the connections are secure then turn ON the gas.

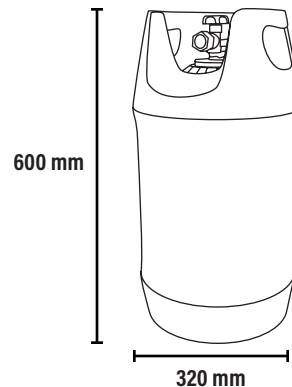
**STEP 05** Brush the soapy water onto the hose and all joints. If bubbles appear you have a leak, which must be rectified before use. Retest after fixing the fault.

**STEP 06** Turn off the gas supply at the gas container after use.

If leakage is detected again and cannot be rectified, DO NOT attempt to cure leakage but consult your gas dealer.

### LPG CYLINDER REQUIREMENTS

- Your appliance can be used with gas cylinders between 11 kg and 15 kg.
- The maximum size of the gas cylinder should be: Dia. 320mm, Height: 600 mm (regulator included).
- Follow the technical information as stated in the instruction manual and check with your local gas supplier to have a suitable gas cylinder for your appliance.



### GAS CYLINDER SAFETY

- The gas cylinder should not be dropped or handled roughly.
- If the appliance is not in use, the cylinder must be disconnected.
- Replace the protective cap on the cylinder after disconnecting the cylinder from the appliance.
- The gas cylinder must be sited outside the body of the appliance.
- Always connect or replace the cylinder in a well-ventilated area and away from any source of ignition, never in the presence of a flame, spark or heat source.
- Cylinders must be stored outdoors in an upright position and out of the reach of children. The cylinder must never be stored where temperatures can reach over 50°C. DO NOT store the cylinder near flames, pilot lights or other sources of ignition. DO NOT SMOKE.
- Make sure that the gas cylinder compartment (if any) is not obstructed, keep it ventilated and clean.
- You will need to have the cylinder serviced or replaced every ten years. The date of the last service should be stamped on the neck of the bottle.
- When used on the ground always place the appliance and cylinder on flat level ground.



# IGNITION INSTRUCTIONS

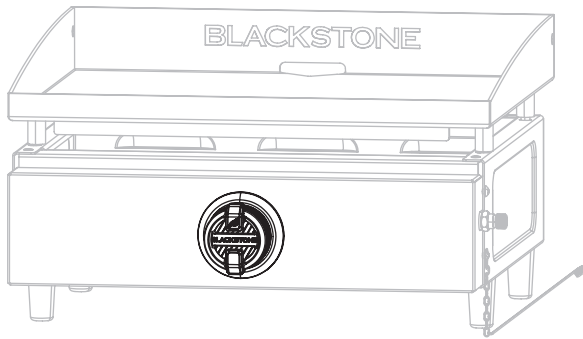
## 1. CHECK VALVES

⚠ Ensure gas is off at the supply shut off valve before checking appliance valves.

**STEP 01** Turn all knobs to the ❶ OFF position.

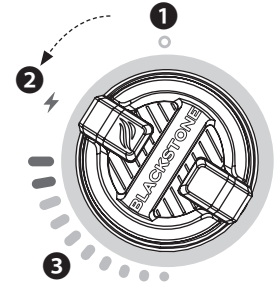
**STEP 02** Push in knob and release. Knob should spring back. If knobs DO NOT spring back, replace valve assembly before using appliance.

**STEP 03** Rotate knob to LOW then turn back to OFF. Knob should turn smoothly.



## 2. PIEZO-ELECTRIC GRIDDLE IGNITION

⚠ DO NOT lean over the appliance while lighting.



### STEP 01

Turn gas ON by turning the gas cylinder handwheel counter-clockwise 1 to 3 turns.

### STEP 02

- ❶ Push the control knob in to start gas flowing.
- ❷ Turn the control knob counter-clockwise to activate the starter.
- ❸ Adjust the temperature to desired level.

## 3. ALWAYS CHECK BURNER FLAME BEFORE USE.

**STEP 01** Light burners and rotate knobs from HIGH to LOW.

**STEP 02** Look below the cooking surface to view burners. When knob is at HIGH, flames should be larger than when knob is at LOW.

### HEALTHY FLAME PATTERN



- ❶ Flickers of yellow color.
- ❷ Dark blue color.
- ❸ Vibrant blue.

### YELLOW OR IRREGULAR



If there is a sudden drop or low flame issue, please reference the Troubleshooting chapter.

### ⚠ WARNING

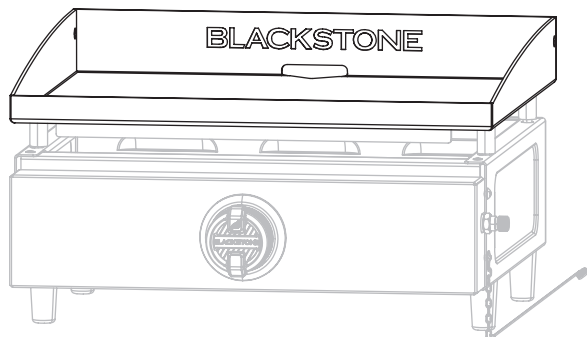
If burner does not ignite with open gas supply valve, gas will continue to flow out of burner and could accidentally/inadvertently ignite with risk of injury.

**If ignition does not occur in 5 seconds:**

1. Turn the burner control knob OFF.
2. Wait 5 minutes.
3. Repeat the lighting procedure.

If burner does not ignite, please reference the Troubleshooting chapter.

# GRIDDLE SEASONING INSTRUCTIONS



## WASHING YOUR GRIDDLE TOP BEFORE FIRST USE

### NOTICE

Soap will ruin a seasoned griddle. This is the only time you should use soap on the griddle cooking surface.

**STEP 01** Wash the griddle cooking surface with hot, soapy water.

**STEP 02** Rinse and dry completely.

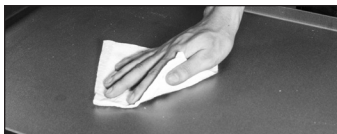
## SEASONING YOUR GRIDDLE



### VIDEO TUTORIAL

How to Season a New Blackstone Griddle  
[youtube.com/watch?v=VspmDVnj2pl&t=3s](https://www.youtube.com/watch?v=VspmDVnj2pl&t=3s)

**STEP 01** Wipe any debris off griddle top.



**STEP 02** Set your griddle to high heat until your griddle top changes color. (~10 min)

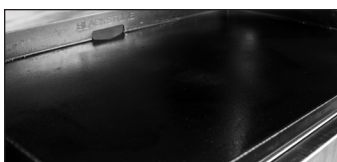


**STEP 03** Use tongs to hold a paper towel or cotton cloth and spread 2-3 tablespoons of your seasoning oil across the entire griddle top.

When seasoning your griddle top, remember to use a thin and even layer of oil—the thinner the layer of oil, the easier it will be to burn it off.



**STEP 04** The griddle top is ready for another layer of oil when it stops smoking. Repeat **STEP 03** 3-4 times, or until the griddle surface is black.



### NOTICE

DO NOT store any items within 3 in (8 cm) of the griddle top while in use.

### WHAT OIL IS BEST TO USE?

- Blackstone Seasoning and Cast Iron Conditioner.
- Any plant-based cooking oil.
- Rendered animal fat with no additives.



### CAUTION

Properly dispose of the rags/towels used to spread oil on your griddle top to prevent fires that might occur due to spontaneous combustion.

Under the right conditions, residual oil on rags or towels can oxidize long after being removed from a heat source. The oxidation process itself produces heat which, if not dissipated, can build up and may cause the rags/towels and surrounding material to ignite.

## SEASONING TROUBLESHOOTING

### THERE IS A BROWNISH RESIDUE ON THE GRIDDLE SURFACE:

#### POSSIBLE CAUSES

- Too much oil was used.
- You turned off the heat too soon.

#### SOLUTION

**STEP 01** Turn your griddle on high and let it heat for 10-15 minutes.

**STEP 02** Scrape off as much of the thickened and partially cooked oil as you can.

**STEP 03** Re-season with a very thin layer of oil.

### THE EDGES OF THE GRIDDLE SURFACE ARE NOT BLACK:

After using your griddle for multiple cooks, the seasoning will even out and improve.

## PREVENTING RUST

Use your griddle frequently. Every time you cook, you are adding to the seasoning, which makes rust less likely.

### NOTICE

If you live in a humid or coastal climate, your griddle may require more frequent seasonings between uses.

If rust appears on the griddle surface, rub it off with steel wool, low grit sandpaper or the **Blackstone Pumice Stone** and re-season the surface.



### VIDEO TUTORIAL

Recovering your Blackstone Griddle Top  
[youtube.com/watch?v=thPE2lgnSil](https://www.youtube.com/watch?v=thPE2lgnSil)





## COOKING ON YOUR BLACKSTONE

### ⚠ CAUTION

This appliance will be hot during and after use. Use long-handled utensils and oven mitts/ protective gloves when handling potentially hot parts, including handles close to the appliance body, to protect against burns and splatters.

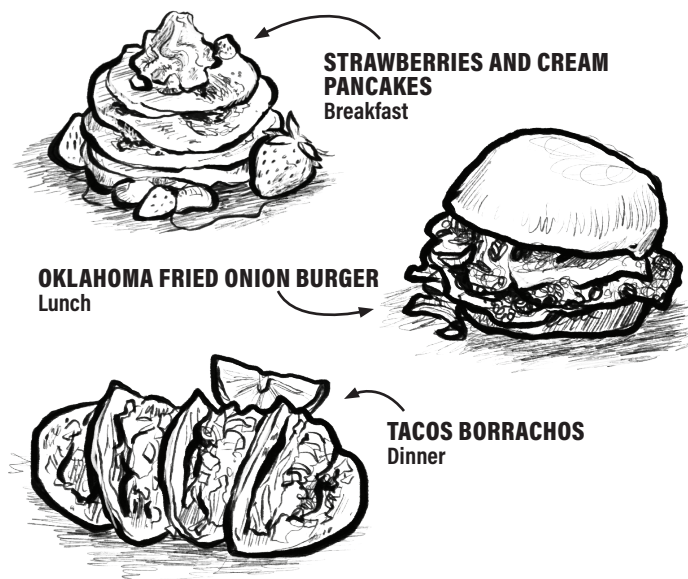
### VIDEO RECIPES

Find recipes and cooking tips at:

🌐 [BlackstoneProducts.com/recipes](https://BlackstoneProducts.com/recipes)

📺 [youtube.com/BlackstoneGriddles](https://youtube.com/BlackstoneGriddles)

📱 [@blackstoneproducts](https://www.instagram.com/blackstoneproducts)



## CARE AND MAINTENANCE

### ⚠ WARNING

Grease build up can cause a fire. Clean any part of the appliance that gets hot and experiences grease build up after each use.

### ⚠ CAUTION

All cleaning and maintenance should be carried out when the appliance is cool and everything is turned OFF.

- DO NOT use abrasive pad on areas with graphics.
- If a bristle brush is used to clean any of the cooking surfaces, ensure no loose bristles remain on cooking surfaces prior to cooking.

### APPLIANCE BODY:

Wash with warm soapy water and immediately wipe dry with a non-abrasive cloth. (DO NOT allow cleaning agents to rest on any porous surface for a prolonged amount of time.)

### NOTICE

DO NOT use Citrisol, abrasive cleaners, or a concentrated cleaner on the appliance. This may result in damage to and failure of parts.

### APPLIANCE STORAGE

### ⚠ WARNING

DO NOT move the appliance when in use. Allow the appliance to cool to 115°F (45°C) before moving or storing.

Storage of an appliance indoors is only permissible if the gas supply is disconnected and removed from the appliance.

### COVER FIT GUIDE

Always cover your appliance when stored outdoors.

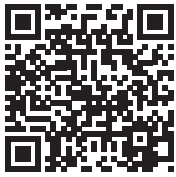


To find a cover that will fit your appliance, visit [BlackstoneProducts.com/support](https://BlackstoneProducts.com/support).

### CLEANING YOUR GRIDDLE TOP

Clean griddle top after each use, while still warm.

- DO NOT use soap on the griddle top. This will destroy the griddle's seasoning.



#### VIDEO TUTORIAL

How to Clean your Blackstone Griddle  
[youtube.com/watch?v=-ledu9z6NPY](https://www.youtube.com/watch?v=-ledu9z6NPY)

**STEP 01** Push loose food debris into the grease cup with spatula or straight metal scraper.



**STEP 02** Wipe down griddle top with paper towel.



**STEP 03** Apply a few tablespoons of water to the griddle surface, then scrape the water and debris into the grease cup.

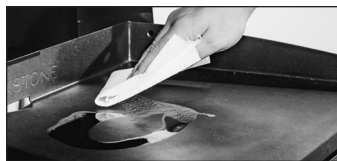
(For stuck-on food residue, use a bit of coarse salt.)



**STEP 04** Wipe again with a paper towel and dry completely.



**STEP 05** Apply thin coat of cooking oil to maintain seasoning and protect the griddle top.



### EMPTY YOUR GREASE CUP

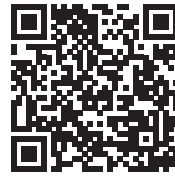
The grease cup must be removed and emptied after each use.

#### CAUTION

Grease cup will be hot during and after use. DO NOT remove the grease cup until the griddle has completely cooled.

### CLEANING THE BURNER ASSEMBLY

To reduce chance of "flash-back" the procedure below should be followed at least once a month when spiders are most active or when your appliance has not been used for a period of time.



#### VIDEO TUTORIAL

How to Clean Your Burner Tube  
[youtube.com/watch?v=xKQTCrFCzf8](https://www.youtube.com/watch?v=xKQTCrFCzf8)

**STEP 01** Detach the regulator assembly from the LPG cylinder by turning the quick Coupling Nut clockwise.

- Remove griddle top.
- Remove the burner by pulling the burner clip. Use a screwdriver or needle nose pliers.

**STEP 02** Carefully lift the burner up and away from the gas valve orifice.

**STEP 03** Clean the inside of the burner:

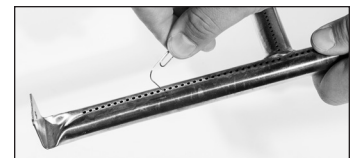
- Run a bottle brush (not a wire brush) or a stiff wire bent into a small hook through each burner tube several times.
- Use compressed air to blow through the burner tube and out the burner ports (Wear eye protection).



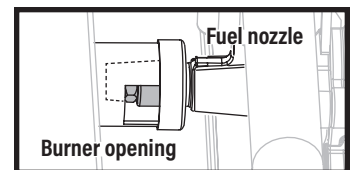
**STEP 04** Brush entire outer surface of burner to remove grime.



**STEP 05** Clean any blocked ports with stiff wire such as an open paper clip.



**STEP 06** Carefully replace burners and reattach, with attention to the location of the ignition needle.



⚠ The gas rail fuel nozzle must be reengaged within the burner opening.





# TROUBLESHOOTING

## IGNITION TROUBLESHOOTING

### BURNER WILL NOT IGNITE:

If ignition does not occur in 5 seconds:

**STEP 01** Turn the burner control knob OFF.

**STEP 02** Wait 5 minutes.

**STEP 03** Repeat the lighting procedure.

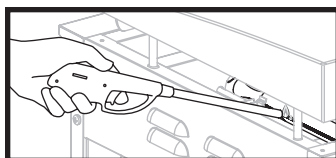
If this does not work, to determine the cause, please try to ignite your appliance with a match.

### MATCH LIGHTING INSTRUCTIONS

Before beginning, check for gas leaks. Open hood (if applicable).

**STEP 01** Turn control knob to OFF position.

**STEP 02** Light a match (or long lighter) no shorter than 11 inches long.

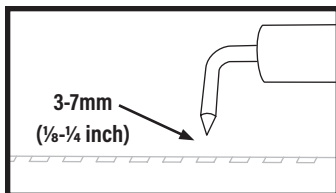


**STEP 03** Place the flame next to the burner.

**STEP 04** Push in and turn the control knob to start gas flowing. Ensure burner lights and stays lit.

### IF YOU CAN IGNITE YOUR APPLIANCE WITH A MATCH:

POSSIBLE CAUSES	SOLUTION
Ignitor wire misaligned.	Ensure that the ignitor needle is positioned 3-7mm (1/8-1/4 inch) away from the burner, and aligned with the burner holes.



Damage to the ignition system.	Contact customer support for replacement parts.
--------------------------------	---

### IF YOU CAN NOT IGNITE YOUR APPLIANCE WITH A MATCH:

POSSIBLE CAUSES	SOLUTION
Burner tubes are not receiving fuel.	Clean the burner assembly to remove the obstruction.

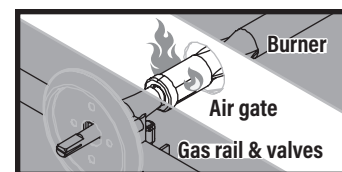
## GAS FLOW TROUBLESHOOTING

### APPLIANCE WILL NOT ACHIEVE A HIGH HEAT OR HEATS UNEVENLY:

- Burner flames are yellow or irregular.
- Burner flames start strong, then immediately drop to low even when burner is set to high position.
- Flame height drops when a second burner is lit.
- Flames DO NOT extend the full length of the burner, or only run on one side of the burner.
- Burner flames are inconsistent.

POSSIBLE CAUSES	SOLUTION
Obstructions in the burner, gas jets, or fuel rail.	Clean the burner, jets, and gas hose.
Gas cylinder is empty or low.	Refill or replace the gas cylinder.

- A flame is coming out of the air gate.



POSSIBLE CAUSES	SOLUTION
Something is blocking the venturi in the burner.	Clean the burner assembly to remove the obstruction.

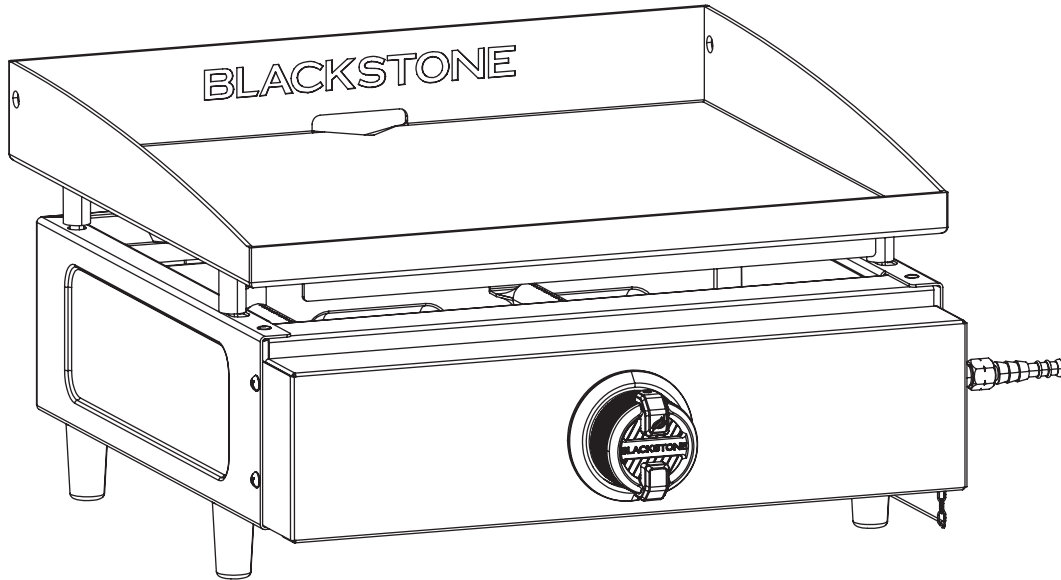
This page intentionally left blank

This page intentionally left blank



This product may be covered by one or more issued U.S. and/or international patents and may include patent applications pending. For more information, please visit: [BlackstoneProducts.com/patents](https://BlackstoneProducts.com/patents)

MANUFACTURER: NORTH ATLANTIC IMPORTS, LLC 1073 W 1700 N LOGAN, UT 84321 USA | BLACKSTONE IS A REGISTERED TRADEMARK OF NORTH ATLANTIC IMPORTS, LLC  
IMPORTED BY GRIDDLE MASTERS, NORDRE STRANDVEJ 119, 3150 HELLEBAEK, DENMARK



BEDIENUNGSANLEITUNG | MONTAGEANLEITUNG FÜR GAS-AUSSENGERÄT

# 17" GRILLPLATTE

## INHALTSVERZEICHNIS

WICHTIGER SICHERHEITSHINWEIS .....	02
KUNDENDIENST.....	03
MONTAGEANLEITUNG.....	04
VERWENDUNG IHRES BLACKSTONE .....	07
RISOLUZIONE DEI PROBLEMI.....	13

### WICHTIG:

Nur im Freien verwenden.

Lesen Sie die Anweisungen, bevor Sie das Gerät verwenden.

Bewahren Sie dieses Handbuch zum späteren Nachschlagen auf.

Wenden Sie sich bei Fragen zur Montage oder zum Betrieb an Ihren Händler oder das Flüssiggasunternehmen.

### SICHERHEITSWARNSCHLÜSSEL

#### ⚠️ GEFAHR

Weist auf eine gefährliche Situation hin, die zum Tod oder zu schweren Verletzungen führt, wenn sie nicht vermieden wird.

#### ⚠️ WARNUNG

Weist auf eine gefährliche Situation hin, die zum Tod oder zu schweren Verletzungen führen kann, wenn sie nicht vermieden wird.

#### ⚠️ VORSICHT

Weist auf eine gefährliche Situation hin, die, wenn sie nicht vermieden wird, zu leichten oder mittelschweren Verletzungen führen kann.

#### HINWEIS

Weist auf Informationen hin, die als wichtig, aber nicht als gefährlich erachtet werden. (z. B. Meldungen zu Sachschäden).

# WICHTIGER SICHERHEITSHINWEIS

DEUTSCH

<b>FÜR IHRE SICHERHEIT</b>	<b>VORSICHTSMASSNAHMEN</b>	 <p><b>FALLS DIE ANWEISUNGEN NICHT BEACHTET WERDEN, KÖNNEN GEFÄHRLICHE FEUER ODER EXPLOSIONEN ENTSTEHEN.</b></p> <p>Es liegt in der Verantwortung des Verbrauchers, dafür zu sorgen, dass das Gerät ordnungsgemäß zusammengesetzt, installiert und gepflegt wird. Die Nichtbeachtung der Anweisungen in diesem Handbuch kann zu Verletzungen und/oder Sachschäden führen.</p>
Bei Gasgeruch: 1. Gaszufuhr an der Gasflasche abstellen. 2. Alle offenen Flammen löschen; keine Elektrogeräte betreiben. 3. Lüften Sie den Bereich. 4. Auf Lecks prüfen, wie in diesem Handbuch beschrieben. 5. Wenn der Geruch bestehen bleibt, wenden Sie sich sofort an Ihren Händler oder Gaslieferanten.	1. Dichtheitsprüfung aller Verbindungen nach jeder Tankbefüllung. 2. Prüfen Sie niemals mit offener Flamme auf Undichtigkeiten, verwenden Sie immer eine Seifenwasserlösung. 3. Lagern oder verwenden Sie kein Benzin oder andere brennbare Dämpfe und Flüssigkeiten in der Nähe dieses Geräts. 4. Nicht angeschlossene Gasflaschen dürfen nicht in der Nähe dieses oder anderer Geräte gelagert werden.	

<b>MODELL/TYP-NR.</b>	2142EU			<b>CE</b> 2531-23	<b>UK CA</b> 8504-23
<b>WÄRMEEINTRAG:</b>	1 x 3.5 kW	<b>GESAMT:</b> 3.5 kW (254.5 g/h)			
<b>GASKATEGORIE:</b>	<b>I3+(28~30/ 37)</b>		<b>I3B/P(30)</b>	<b>I3B/P(50)</b>	
<b>GASARTEN:</b>	Butan (G30)	Propangas (G31)	G30, G31 oder deren Mischungen	G30, G31 oder deren Mischungen	
<b>GASDRUCK:</b>	(28-30) mbar	37mbar	(28-30) mbar	50 mbar	
<b>GEHEIMZAHL:</b>	<b>CE:</b> 2531DN-0117		<b>UKCA:</b> 8504DO-0003	<b>UKCA:</b> 8504DO-0003	
	BE, FR, IT, LU, IE, GB, GR, PT, ES, CY, CZ, LT, CH, SI, LV, TR		LU, NL, DK, FI, SE, CY, CZ, EE, LT, MT, SK, SI, BG, IS, NO, HR, RO, IT, HU, LV, GR	DE, AT, CH, SK	
<b>Nur im Freien verwenden.</b>					
<b>Lesen Sie die Anweisungen, bevor Sie das Gerät verwenden.</b>					
<b>⚠ WARNUNG: Zugängliche Teile können sehr heiß sein. Halten Sie kleine Kinder fern.</b>					
<b>Dieses Gerät muss während des Gebrauchs von brennbaren Materialien ferngehalten werden.</b>					
<b>Bewegen Sie das Gerät während des Gebrauchs nicht.</b>					
<b>Schließen Sie nach Gebrauch die Gaszufuhr an der Gasflasche.</b>					
<b>Verändern Sie das Gerät nicht.</b>					

**ANFORDERUNGEN AN REGLER UND SCHLÄUCHE**

- Verwenden Sie nur Regler und Schläuche, die für Flüssiggas bei den oben genannten Drücken zugelassen sind. Der verwendete Schlauch muss der entsprechenden Norm des Einsatzlandes entsprechen.
  - Verwenden Sie einen geeigneten Atemregler, der nach BSEN 12864 oder EN 16129 zertifiziert ist. Stellen Sie sicher, dass der Atemregler und der flexible Schlauch den örtlichen Vorschriften entsprechen.
  - Die Länge des flexiblen Schlauchs darf 1,5 m nicht überschreiten. In Finnland darf die Länge 1,2 m nicht überschreiten. Der Schlauch sollte gemäß der geltenden EN-Norm zertifiziert sein und den örtlichen Vorschriften entsprechen.
- Bitte wenden Sie sich an Ihren LPG-Händler, um Informationen zu einem geeigneten Regler für die Gasflasche zu erhalten.

**⚠ WARNUNG**

Die Verwendung des falschen Atemreglers oder Schlauchs ist unsicher; Überprüfen Sie immer, ob Sie die richtigen Artikel haben, bevor Sie das Gerät in Betrieb nehmen.

Dieses Gerät ist nur für die Verwendung mit Niederdruck-Butan- oder Propangas oder LPG-Mischungen geeignet, die mit dem entsprechenden Niederdruckregler über einen flexiblen Schlauch ausgestattet sind. Die Lebenserwartung von Atemregler und Schlauch wird auf 2 Jahre geschätzt.



# KUNDENDIENST

## KONTAKTIERE UNS

Für alle Fragen, Anfragen oder Kundensupport wenden Sie sich bitte an:

**Griddle Masters Europe ApS**

**Blackstone Europe**

**Tel. +45 2424 7709**

**Nordre Strandvej 119, 3150 Hellebæk**

**Denmark**

**[www.blackstone-europe.com](http://www.blackstone-europe.com)**

## ZWEI JAHRE GARANTIE

North Atlantic Imports, LLC gewährleistet, dass dieses Produkt bei normalem Gebrauch für einen Zeitraum von zwei (2) Jahren ab dem ursprünglichen Kaufdatum frei von Material- und Verarbeitungsfehlern ist. Sofern solche Mängel auftreten, stellt North Atlantic Imports, LLC nach eigenem Ermessen kostenlos die entsprechenden Ersatzteile zur Verfügung.

In keinem Fall haftet North Atlantic Imports, LLC für Folgeschäden, indirekte oder zufällige Schäden, die sich aus der Installation, Verwendung oder dem Ausfall des Produkts ergeben.

Diese Garantie deckt Folgendes NICHT ab:

- Inspektionskosten oder Arbeitsaufwand für den Austausch defekter Teile;
- Kosmetische Mängel, die die Leistung oder Integrität des Produkts nicht beeinträchtigen;
- Normale Abnutzung;
- Schäden durch Vandalismus; Naturereignisse, einschließlich, aber nicht beschränkt auf Wind, Stürme, Hagel, Überschwemmungen;
- Unsachgemäße Montage, Installation oder Verwendung;
- Verfärbung oder Ausbleichen der Oberfläche durch Einwirkung von Chemikalien, verschütteten Flüssigkeiten, Pool- oder Salzwasser;
- Korrosion/Rost.

Dieses Produkt wurde für Sicherheit und Qualität entwickelt. Alle am Originalprodukt vorgenommenen Änderungen könnten dessen strukturelle Integrität oder Funktion beeinträchtigen und zu Produktausfällen oder Personenschäden führen. Daher führt eine Änderung dieses Produkts zum Erlöschen aller Garantien.

Dieses Produkt ist NUR FÜR DEN WOHNGEBRAUCH bestimmt und nicht für kommerzielle, Vertrags- oder andere nicht-Wohnzwecke bestimmt. North Atlantic Imports, LLC lehnt alle anderen ausdrücklichen oder stillschweigenden Zusicherungen und Gewährleistungen jeglicher Art ab.

Die Garantie gilt für den Erstkäufer und ist nicht übertragbar. Sie gilt nicht für Zubehör oder Teile, die nicht mit dem Produkt geliefert werden, für den Kauf von Ausstellungsmodellen oder für Produkte, die im Ausverkauf oder „wie besehen“ verkauft werden. Möglicherweise haben Sie jedoch andere spezifische gesetzliche Rechte, die auf den Gesetzen Ihres jeweiligen Staates oder Wohnsitzlandes basieren.

Um Ihre Garantie zu aktivieren, registrieren Sie Ihr Produkt unter

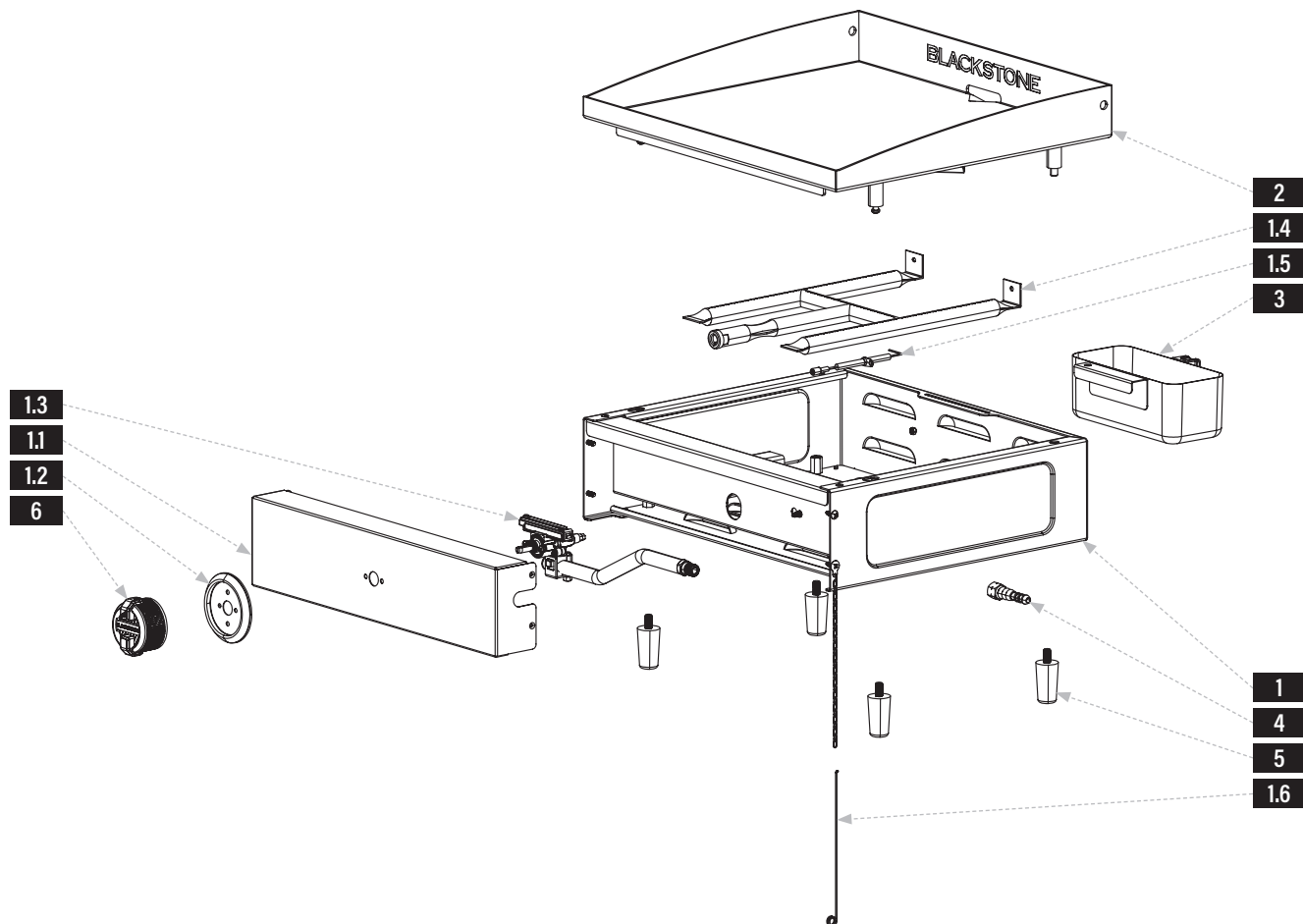
**[blackstone-europe.com/pages/product-registration](http://blackstone-europe.com/pages/product-registration)**

North Atlantic Imports, LLC behält sich das Recht vor, diese Garantie jederzeit zu ändern oder zu modifizieren.

# MONTAGEANLEITUNG

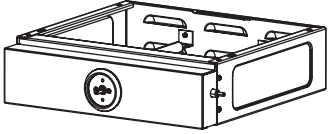
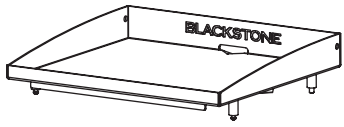
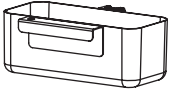
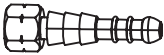


## EXPLOSIONSANSICHT

DEUTSCH



### LISTE DER EINZELTEILE

TEILE	MNG
1.1 Schalttafel	1
1.2 Bedienknebel Lünette	1
1.3 Gasschiene	1
1.4 H-Brenner	1
1.5 Zündnadel	1
1.6 Streichholzhalter	1

<p><b>1</b> Körper (1 Stück)</p> 	<p><b>2</b> Grillplatte (1 Stück)</p> 
<p><b>3</b> Fettbecher (1 Stück)</p> 	<p><b>4</b> Schlauchtülle (1 Stück)</p> 
<p><b>5</b> Grillfüße (4 Stück)</p> 	<p><b>6</b> Der Reglerknopf (1 Stück)</p> 





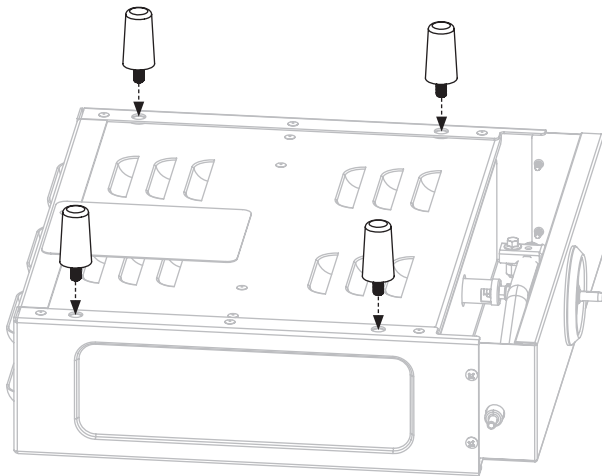
## MONTAGEANLEITUNGEN

Finden Sie einen großen, sauberen Bereich, um Ihr Gerät zusammenzubauen. Entfernen Sie vor dem Zusammenbau sämtliches Verpackungsmaterial.

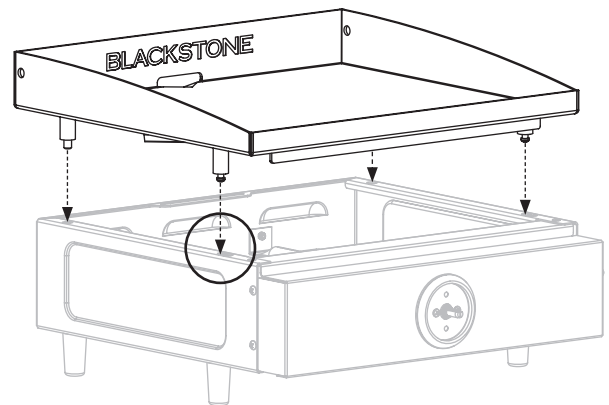
### ⚠ VORSICHT

Scharfe Kanten. Beim Zusammenbau Handschuhe tragen.

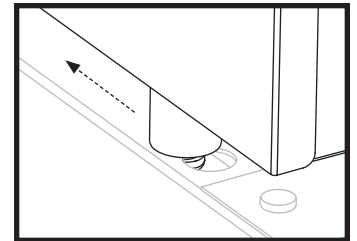
**SCHRITT 01** Legen Sie den Griddle-Körper umgedreht auf eine glatte, flache Oberfläche. Schrauben Sie die vier (4) Grillfüße in die Unterseite der Grillplatte.



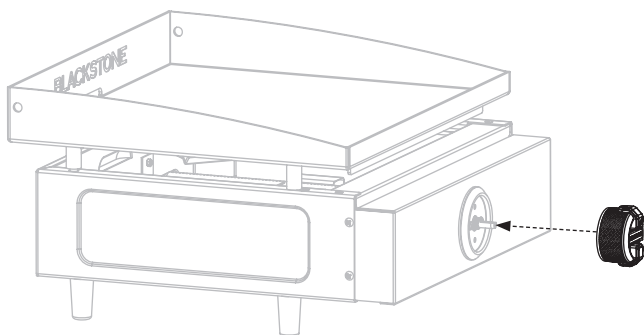
**SCHRITT 02** Stellen Sie die Grillplatte auf ihre Füße. Platzieren Sie die Grillplatte auf dem Grillkörper, indem Sie die vier Stifte an den Löchern des Körpers ausrichten.



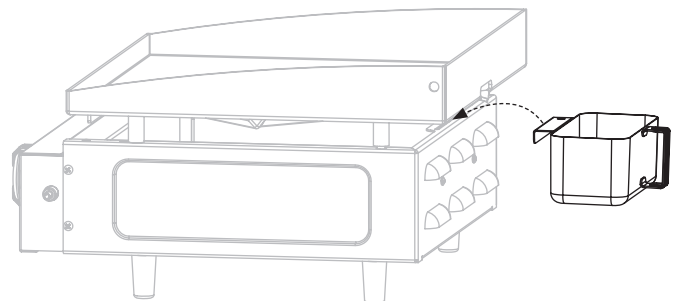
Stellen Sie sicher, dass die vorderen Stifte in den Löchern sitzen, und schieben Sie dann die Oberseite der Grillplatte nach hinten.



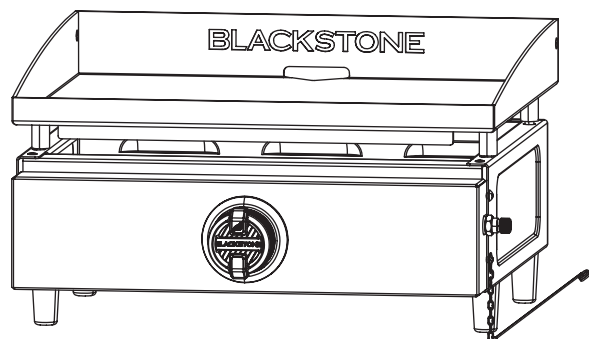
**SCHRITT 03** Bringen Sie den Bedienknopf an, indem Sie ihn in Position AUS drücken.



**SCHRITT 04** Hängen Sie die Fettschale in den Schlitz auf der Rückseite des Grillkörpers.



**SCHRITT 05** Fahren Sie mit der **VERWENDUNG IHRES BLACKSTONE** fort.



***HINWEIS***

Stellen Sie das Gerät während des Gebrauchs auf eine hitzebeständige und schwer entflammbare Oberfläche.



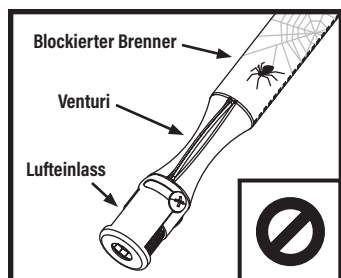
# VERWENDUNG IHRES BLACKSTONE

## KOCHEN VORBEREITEN

### BRENNER PRÜFEN

Stellen Sie vor dem Anschluss und der Verwendung sicher, dass sich keine Rückstände im Kopf der Gasflasche, am Regler, am Schlauch, am Brenner und an den Brenneranschlüssen verfangen oder diese beschädigt sind.

Spinnen und Insekten können sich darin einnisten und das Brenner-/Venturirohr an der Öffnung verstopfen.



**⚠️ WARNUNG**  
Ein verstopfter Brenner kann zu einem Brand unter dem Gerät führen. Der Brenner sollte entfernt und gereinigt werden, wenn Verstopfungen gefunden werden.



**⚠️** Stellen Sie sicher, dass die Brennstoffdüsenöffnung des Gasverteilerrohrs richtig in der Brenneröffnung sitzt.

**DIE MINIMALE UMGEBUNGSTEMPERATUR FÜR DEN BETRIEB BETRÄGT -18 °C (0 °F).**

**⚠️ GEFAHR**  
Brennbare Gegenstände können sich entzünden, wenn sie in der Nähe des Geräts platziert werden. Halten Sie den Gerätebereich frei und frei von brennbaren Materialien, Aerosolbehältern, Benzin und anderen brennbaren Dämpfen und Flüssigkeiten.

**⚠️ VORSICHT**  
Wenn das Gerät mit einem Papierhandtuchhalter ausgestattet ist, muss sich der Arm während des Gebrauchs des Geräts in der geöffneten Position befinden.

### WENN FETT ODER ANDERES HEISSES MATERIAL AUF VENTIL, SCHLAUCH ODER REGLER TROPFT:

**SCHRITT 01** Gaszufuhr sofort abstellen.

**SCHRITT 02** Ermitteln Sie die Ursache und beheben Sie sie.

**SCHRITT 03** Reinigen und prüfen Sie Ventil, Schlauch und Regler.

**SCHRITT 04** Führen Sie einen Dichtigkeitsstest durch. (Bitte beziehen Sie sich auf die Lecktestanweisungen)

## EINRICHTEN IHRES AUSSENBEREICHS

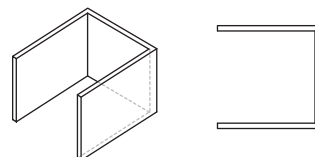
### DIESES GERÄT DARF NUR IM FREIEN VERWENDET WERDEN.

- Verwenden Sie dieses Gerät nicht in Gebäuden, Garagen oder anderen geschlossenen Räumen.
- Installieren Sie dieses Gerät nicht in oder auf einem Boot.
- Installieren Sie dieses Gerät nicht in oder auf einem Freizeitfahrzeug.

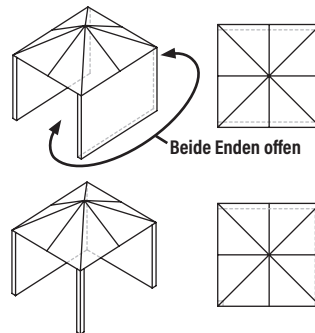
### GESCHÜTZTE AUSSENBEREICHE:

Alle Öffnungen müssen dauerhaft geöffnet sein; Schiebetüren, Garagentore, Fenster oder abgeschirmte Öffnungen gelten nicht als dauerhafte Öffnungen. Ein Gerät gilt als im Freien, wenn es mit einem Schutz installiert ist, der nicht mehr umfasst als:

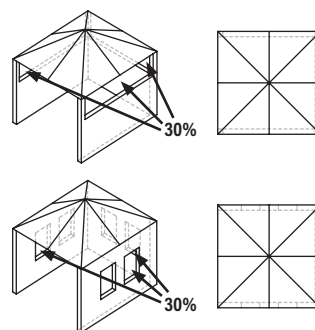
a. Mit Wänden an drei Seiten, aber ohne Überdachung.



b. Innerhalb eines teilweisen Gehäuses, das eine obere Abdeckung und nicht mehr als zwei Seitenwände umfasst. Die Seitenwände können parallel, wie bei einem Windkanal, oder rechtwinklig zueinander sein.

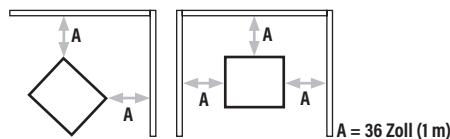


c. Innerhalb einer teilweisen Umschließung, die eine Überdachung und drei Seitenwände umfasst, solange 30 % oder mehr der horizontalen Peripherie der Umschließung dauerhaft offen sind.



### HALTEN SIE ANGEMESSENE ABSTÄNDE ZU BRENNBAREN MATERIALIEN EIN:

- Verwenden Sie dieses Gerät nicht auf oder unter Balkonen oder Terrassen von Wohnungen oder Eigentumswohnungen.
- Den Verbrennungs- und Belüftungsluftstrom nicht behindern.
- Betreiben Sie dieses Gerät nicht näher als 1 m (36 Zoll) von den Seiten und der Rückseite des Geräts.



- Verwenden Sie dieses Gerät nicht unter brennbaren Konstruktionen.

DEUTSCH

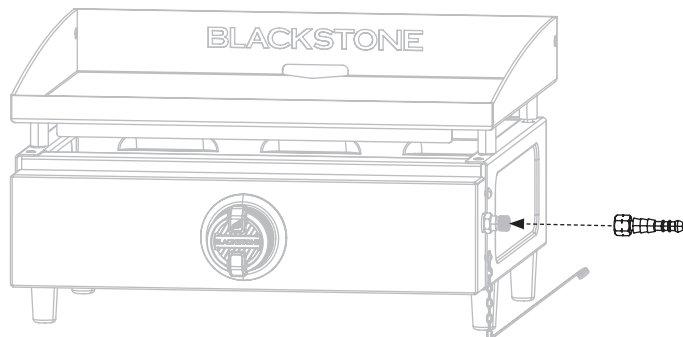
## ANBRINGEN DER KRAFTSTOFFFLASCHE

### ANBRINGEN DES REGLERS

**SCHRITT 01** Regler und Schlauch müssen korrekt an das Gerät angeschlossen werden. Zum Anziehen der Mutter auf das Anschlussgewinde muss ein Schraubenschlüssel verwendet werden.

Wenn Sie eine Kraftstoffklemme verwenden, befestigen Sie die Schlauchtülle an der Gasschiene.

(Barb ist Linksgewinde.)



**SCHRITT 02** Wenn der Schlauch ersetzt wird, muss er mit Schlauchschellen an den Anschlüssen des Geräts und des Reglers befestigt werden.

### VERMEIDEN SIE ES, DEN FLEXIBLEN SCHLAUCH ZU VERDREHEN, WENN DAS GERÄT IN BETRIEB IST.

- Stellen Sie sicher, dass der Schlauch außer an seinem Anschluss nicht verstopft, geknickt oder mit anderen Teilen des Geräts in Kontakt ist.
- Abgenutzter oder beschädigter Schlauch muss ersetzt werden.
- Überprüfen Sie den Gummi-O-Ring am Reglerende der Schlauchleitung mindestens einmal im Jahr. Wenn es abgenutzt oder rissig erscheint, lassen Sie es ersetzen.
- Trennen Sie den Regler von der Flasche (entsprechend den mit dem Regler gelieferten Anweisungen), wenn das Gerät nicht verwendet wird.

## ANLEITUNG ZUR DICHTHEITSPRÜFUNG

**SCHRITT 01** Stellen Sie 2-3 Flüssigunzen Lecksuchlösung her, indem Sie einen Teil Spülmittel mit 3 Teilen Wasser mischen.

**SCHRITT 02** Schließen Sie die Gaszufuhr am Gasflaschenventil.

**SCHRITT 03** Stellen Sie sicher, dass das Steuerventil auf „AUS“ steht.

**SCHRITT 04** Schließen Sie den Regler an die Flasche und das EIN/AUS-Ventil an den Brenner an, stellen Sie sicher, dass die Verbindungen sicher sind, und schalten Sie dann das Gas ein.

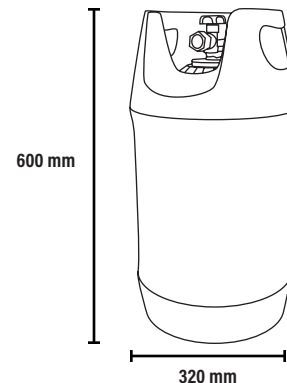
**SCHRITT 05** Bürsten Sie das Seifenwasser auf den Schlauch und alle Verbindungen. Wenn Blasen auftreten, haben Sie ein Leck, das vor der Verwendung behoben werden muss. Nach Behebung des Fehlers erneut testen.

**SCHRITT 06** Schließen Sie nach Gebrauch die Gaszufuhr am Gasbehälter.

Wenn eine Leckage erneut festgestellt wird und nicht behoben werden kann, versuchen Sie nicht, die Leckage zu beheben, sondern wenden Sie sich an Ihren Gashändler.

### ANFORDERUNGEN AN LPG-ZYLINDER

- Ihr Gerät kann mit Gasflaschen zwischen 11 kg und 15 kg betrieben werden.
- Die maximale Größe der Gasflasche sollte sein: Dia. 320 mm, Höhe: 600 mm (inkl. Regler).
- Befolgen Sie die technischen Informationen in der Bedienungsanleitung und erkundigen Sie sich bei Ihrem örtlichen Gaslieferanten, ob er eine geeignete Gasflasche für Ihr Gerät hat.



### SICHERHEIT VON GASFLASCHEN

- Die Gasflasche sollte nicht fallen gelassen oder grob behandelt werden.
- Wenn das Gerät nicht benutzt wird, muss die Flasche abgeklemmt werden.
- Setzen Sie die Schutzkappe wieder auf die Flasche, nachdem Sie die Flasche vom Gerät getrennt haben.
- Die Gasflasche muss sich außerhalb des Gerätekörpers befinden.
- Schließen oder ersetzen Sie die Flasche immer in einem gut belüfteten Bereich und entfernt von Zündquellen, niemals in der Nähe von Flammen, Funken oder Wärmequellen.
- Flaschen müssen im Freien in aufrechter Position und außerhalb der Reichweite von Kindern gelagert werden. Die Flasche darf niemals an Orten gelagert werden, an denen Temperaturen über 50 °C erreicht werden können. Lagern Sie die Flasche nicht in der Nähe von Flammen, Zündflammen oder anderen Zündquellen. NICHT RAUCHEN.
- Stellen Sie sicher, dass das Gasflaschenfach (falls vorhanden) nicht verstopft ist, halten Sie es belüftet und sauber.
- Sie müssen den Zylinder alle zehn Jahre warten oder ersetzen lassen. Das Datum des letzten Service sollte auf den Flaschenhals gestempelt werden.
- Stellen Sie das Gerät und die Flasche bei Verwendung auf dem Boden immer auf einen ebenen Boden.



## ZÜNDANLEITUNG

### 1. RÜCKSCHLAGVENTILE

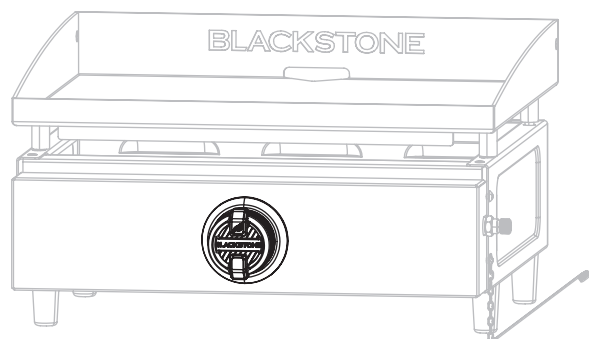
⚠ Stellen Sie sicher, dass das Gaszufuhr-Absperrventil ausgeschaltet ist, bevor Sie die Geräteventile überprüfen.

**SCHRITT 01** Drehen Sie alle Knöpfe auf die Aus-Position ❶.

**SCHRITT 02** Knopf eindrücken und loslassen. Knopf sollte zurückfedern.

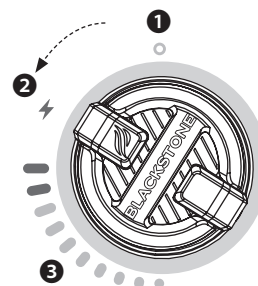
Wenn die Knöpfe nicht zurückspringen, ersetzen Sie die Ventilbaugruppe, bevor Sie das Gerät verwenden.

**SCHRITT 03** Drehen Sie den Knopf auf LOW und drehen Sie ihn dann wieder auf OFF. Der Knopf sollte sich leicht drehen lassen.



### 2. PIEZOELEKTRISCHE GRIDDLE-ZÜNDUNG

⚠ Beugen Sie sich beim Anzünden nicht über das Gerät.



#### SCHRITT 01

Schalten Sie das Gas ein, indem Sie das Handrad der Gasflasche 1 bis 3 Umdrehungen gegen den Uhrzeigersinn drehen.

#### SCHRITT 02

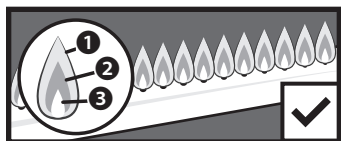
- ❶ Drücken Sie den Steuerknopf hinein, um den Gasfluss zu starten.
- ❷ Drehen Sie den Bedienknopf gegen den Uhrzeigersinn, um den Anlasser zu aktivieren.
- ❸ Stellen Sie die Temperatur auf das gewünschte Niveau ein.

### 3. ÜBERPRÜFEN SIE VOR DEM GEBRAUCH IMMER DIE FLAMME DES BRENNERS.

**SCHRITT 01** Zünden Sie Brenner an und drehen Sie die Knöpfe von HIGH auf LOW.

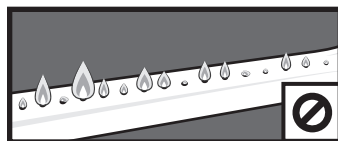
**SCHRITT 02** Schauen Sie unter die Kochfläche, um die Brenner zu sehen. Wenn der Knopf auf HIGH steht, sollten die Flammen größer sein als wenn der Knopf auf LOW steht.

#### GESUNDES FLAMMENMUSTER



- ❶ Gelbes Flackern. ❷ Dunkelblaue Farbe.
- ❸ Leuchtendes Blau.

#### GELB ODER UNREGELMÄSSIG



Wenn es zu einem plötzlichen Abfall oder einem Problem mit geringer Flamme kommt, lesen Sie bitte das Kapitel „Fehlerbehebung“.

#### ⚠ WARNUNG

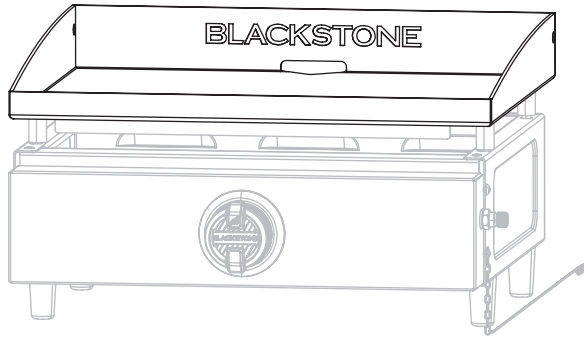
Wenn der Brenner bei geöffnetem Gaszufuhrventil nicht zündet, strömt weiterhin Gas aus dem Brenner und könnte sich unbeabsichtigt entzünden, was zu Verletzungen führen kann.

**Wenn die Zündung nicht innerhalb von 5 Sekunden erfolgt:**

1. Drehen Sie den Bedienknopf des Brenners auf OFF.
2. Warte 5 Minuten.
3. Wiederholen Sie den Anzündvorgang.

Wenn der Brenner nicht zündet, lesen Sie bitte das Kapitel „Fehlerbehebung“.

## BRATPFANNE WÜRZANLEITUNG



### WASCHEN SIE IHRE GRIDDLEPLATTE VOR DEM ERSTEN GEBRAUCH

#### HINWEIS

Seife wird eine erfahrene Grillplatte ruinieren. Dies ist das einzige Mal, dass Sie Seife auf der Grillfläche verwenden sollten.

**SCHRITT 01** Waschen Sie die Grillfläche mit heißem Seifenwasser.

**SCHRITT 02** Spülen und vollständig trocknen.

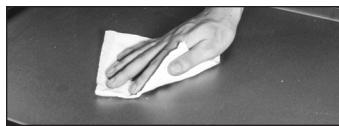
### WÜRZEN SIE IHRE BRATPFANNE



#### VIDEOANLEITUNG

So würzen Sie eine neue Blackstone-Grillplatte  
[youtube.com/watch?v=VspmDVnj2pl&t=3s](https://www.youtube.com/watch?v=VspmDVnj2pl&t=3s)

**SCHRITT 01** Wischen Sie alle Rückstände von der Oberseite der Grillplatte ab.



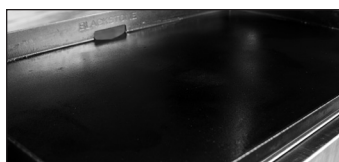
**SCHRITT 02** Stellen Sie Ihre Grillplatte auf hohe Hitze, bis Ihre Grillplatte die Farbe ändert. (~10 Minuten)



**SCHRITT 03** Verwenden Sie eine Zange, um ein Papiertuch oder ein Baumwolltuch zu halten, und verteilen Sie 2-3 Esslöffel Ihres Gewürzöls auf der gesamten Grillplatte. Denken Sie beim Würzen Ihrer Griddleplatte daran, eine dünne und gleichmäßige Ölschicht aufzutragen - je dünner die Ölschicht, desto leichter lässt sie sich abbrennen.



**SCHRITT 04** Die Griddleplatte ist bereit für eine weitere Schicht Öl, wenn sie aufhört zu rauchen. Wiederholen Sie **SCHRITT 03** drei- bis viermal oder bis die Grillfläche schwarz ist.



#### HINWEIS

Bewahren Sie während des Gebrauchs keine Gegenstände in einem Umkreis von 8 cm von der Grillplatte auf.

#### WELCHES ÖL NIMMT MAN AM BESTEN?

- Blackstone Seasoning and Cast Iron Conditioner.
- Jedes pflanzliche Speiseöl.
- Ausgeschmolzenes tierisches Fett ohne Zusatzstoffe.



#### ⚠ VORSICHT

Entsorgen Sie die Lappen/Handtücher, mit denen Sie Öl auf der Grillplatte verteilen, ordnungsgemäß, um Brände durch Selbstentzündung zu vermeiden.

Unter den richtigen Bedingungen können Ölrreste auf Lappen oder Handtüchern oxidieren, lange nachdem sie von einer Wärmequelle entfernt wurden. Der Oxidationsprozess selbst erzeugt Wärme, die sich, wenn sie nicht abgeleitet wird, ansammelt und dazu führen kann, dass sich die Lappen/Handtücher und das umgebende Material entzünden.

### FEHLERBEHEBUNG BEIM WÜRZEN

#### ES GIBT EINEN BRÄUNLICHEN RÜCKSTAND AUF DER GRIDDLEFLÄCHE:

##### MÖGLICHE URSACHEN

- Es wurde zu viel Öl verwendet.
- Du hast die Heizung zu früh ausgeschaltet.

##### LÖSUNG

**SCHRITT 01** Schalten Sie Ihre Grillplatte hoch und lassen Sie sie 10-15 Minuten lang erhitzen.

**SCHRITT 02** Kratzen Sie so viel wie möglich von dem eingedickten und teilweise gekochten Öl ab.

**SCHRITT 03** Mit einer hauchdünnen Schicht Öl nachwürzen.

#### DIE RÄNDER DER GRILLFLÄCHE SIND NICHT SCHWARZ:

Nachdem Sie Ihre Grillplatte für mehrere Kochvorgänge verwendet haben, wird das Gewürz gleichmäßiger und besser.

#### ROST VORBEUGEN

Verwenden Sie Ihre Grillplatte häufig. Jedes Mal, wenn Sie kochen, fügen Sie Gewürze hinzu, wodurch Rost weniger wahrscheinlich wird.

#### HINWEIS

Wenn Sie in einem feuchten oder Küstenklima leben, muss Ihre Grillplatte zwischen den Verwendungen möglicherweise häufiger gewürzt werden.

Wenn Rost auf der Grillfläche auftritt, reiben Sie ihn mit Stahlwolle, Schleifpapier mit geringer Körnung oder dem **Blackstone-Bimsstein** ab und behandeln Sie die Oberfläche erneut.



#### VIDEOANLEITUNG

Wiederherstellung Ihrer Blackstone Griddleplatte  
[youtube.com/watch?v=thPE2IgmSil](https://www.youtube.com/watch?v=thPE2IgmSil)





## KOCHEN AUF IHREM BLACKSTONE

### ⚠ VORSICHT

Dieses Gerät ist während und nach dem Gebrauch heiß. Verwenden Sie zum Schutz vor Verbrennungen und Spritzern beim Umgang mit potenziell heißen Teilen, einschließlich Griffen in der Nähe des Gerätekörpers, langstielige Utensilien und Topflappen/Schutzhandschuhe.

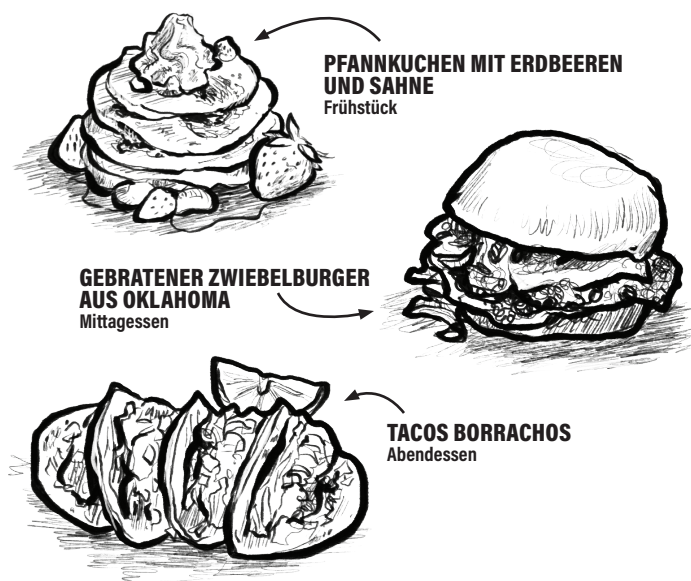
### VIDEOREZEPTE

Rezepte und Kochtipps finden Sie unter:

[BlackstoneProducts.com/recipes](https://www.blackstoneproducts.com/recipes)

[youtube.com/BlackstoneGriddles](https://www.youtube.com/BlackstoneGriddles)

[f](https://www.facebook.com/blackstoneproducts) [i](https://www.instagram.com/blackstoneproducts) [@blackstoneproducts](https://www.tiktok.com/@blackstoneproducts)



## REINIGEN SIE IHRE GRIDDLEPLATTE

Reinigen Sie die Grillplatte nach jedem Gebrauch, solange sie noch warm ist.

• Verwenden Sie keine Seife auf der Grillplatte. Dadurch wird die Würze der Grillplatte zerstört.



### VIDEOANLEITUNG

So reinigen Sie Ihre Blackstone Griddleplatte

[youtube.com/watch?v=-ledu9z6NPY](https://www.youtube.com/watch?v=-ledu9z6NPY)

**SCHRITT 01** Schieben Sie lose Speisereste mit einem Spatel oder einem geraden Metallschaber in die Fettschale.



**SCHRITT 02** Wischen Sie die Grillplatte mit einem Papiertuch ab.



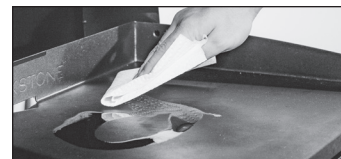
**SCHRITT 03** Tragen Sie ein paar Esslöffel Wasser auf die Grillfläche auf und kratzen Sie dann das Wasser und den Schmutz in die Fettschale. (Bei anhaftenden Speiseresten etwas grobes Salz verwenden.)



**SCHRITT 04** Wischen Sie erneut mit einem Papiertuch nach und trocknen Sie es vollständig ab.



**SCHRITT 05** Tragen Sie eine dünne Schicht Speiseöl auf, um die Würze zu erhalten und die Grillplatte zu schützen.



## LEEREN SIE IHREN GREASE CUP

Die Fettschale muss nach jedem Gebrauch entfernt und geleert werden.

### ⚠ VORSICHT

Der Schmierbecher ist während und nach dem Gebrauch heiß. Entfernen Sie die Fettschale erst, wenn die Grillplatte vollständig abgekühlt ist.

## PFLEGE UND WARTUNG

### ⚠️ WARNUNG

Fettansammlungen können einen Brand verursachen. Reinigen Sie nach jedem Gebrauch alle Teile des Geräts, die heiß werden und Fettablagerungen aufweisen.

### ⚠️ VORSICHT

Alle Reinigungs- und Wartungsarbeiten sollten durchgeführt werden, wenn das Gerät abgekühlt und alles ausgeschaltet ist.

- Verwenden Sie kein Scheuerpad auf Bereichen mit Grafiken.
- Wenn eine Borstenbürste zum Reinigen einer der Kochflächen verwendet wird, stellen Sie vor dem Kochen sicher, dass keine losen Borsten auf den Kochflächen zurückbleiben.

### GERÄTEKÖRPER:

Mit warmem Seifenwasser waschen und sofort mit einem nicht scheuernden Tuch trocken wischen. (Lassen Sie Reinigungsmittel nicht längere Zeit auf porösen Oberflächen stehen.)

### HINWEIS

Verwenden Sie kein Citrisol, Scheuermittel oder konzentrierte Reinigungsmittel für das Gerät. Dies kann zur Beschädigung und zum Ausfall von Teilen führen.

## GERÄTESPEICHER

### ⚠️ WARNUNG

Bewegen Sie das Gerät nicht, wenn es in Betrieb ist. Lassen Sie das Gerät auf 45 °C (115 °F) abkühlen, bevor Sie es bewegen oder lagern.

Die Lagerung eines Gerätes in Innenräumen ist nur zulässig, wenn die Gasversorgung getrennt und vom Gerät entfernt ist.

### ANLEITUNG ZUR ABDECKUNGSANPASSUNG

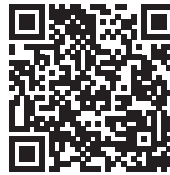
Decken Sie Ihr Gerät immer ab, wenn Sie es im Freien lagern.



Um eine Abdeckung zu finden, die zu Ihrem Gerät passt, besuchen Sie [BlackstoneProducts.com/support](https://BlackstoneProducts.com/support).

## REINIGUNG DER BRENNEREINHEIT

Um die Wahrscheinlichkeit eines „Flashbacks“ zu verringern, sollte das nachstehende Verfahren mindestens einmal im Monat durchgeführt werden, wenn die Spinnen am aktivsten sind oder wenn Ihr Gerät längere Zeit nicht benutzt wurde.



### VIDEOANLEITUNG

So reinigen Sie Ihr Brennerrohr  
 ▶ [youtube.com/watch?v=xKQTCrFCzf8](https://youtube.com/watch?v=xKQTCrFCzf8)

**SCHRITT 01** Lösen Sie die Reglerbaugruppe von der LPG-Flasche, indem Sie die Schnellkupplungsmutter im Uhrzeigersinn drehen.

- Grillplatte entfernen.
- Entfernen Sie den Brenner, indem Sie am Brennerclip ziehen. Verwenden Sie einen Schraubendreher oder eine Spitzzange.

**SCHRITT 02** Heben Sie den Brenner vorsichtig nach oben und weg von der Öffnung des Gasventils.

**SCHRITT 03** Reinigen Sie das Innere des Brenners:

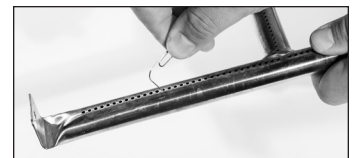
- Führen Sie eine Flaschenbürste (keine Drahtbürste) oder einen steifen, zu einem kleinen Haken gebogenen Draht mehrmals durch jedes Brennerrohr.
- Blasen Sie mit Druckluft durch das Brennerrohr und aus den Brenneröffnungen (tragen Sie einen Augenschutz).



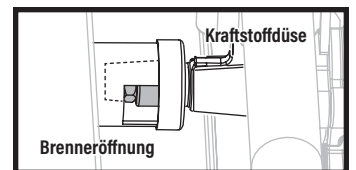
**SCHRITT 04** Bürsten Sie die gesamte Außenfläche des Brenners, um Schmutz zu entfernen.



**SCHRITT 05** Reinigen Sie alle blockierten Anschlüsse mit einem steifen Draht, z. B. einer offenen Büroklammer.



**SCHRITT 06** Setzen Sie die Brenner vorsichtig wieder ein und bringen Sie sie wieder an, achten Sie dabei auf die Position der Zündnadel.



⚠️ Die Gasverteiler-Brennstoffdüse muss wieder in die Brenneröffnung eingerastet werden.





# RISOLUZIONE DEI PROBLEMI

## IGNITION TROUBLESHOOTING

### BRENNER ZÜNDET NICHT:

Erfolgt die Zündung nicht innerhalb von 5 Sekunden:

**SCHRITT 01** Erfolgt die Zündung nicht innerhalb von 5 Sekunden:

**SCHRITT 02** Drehen Sie den Bedienknopf des Brenners auf AUS.

**SCHRITT 03** Warte 5 Minuten.

**SCHRITT 04** Wiederholen Sie den Beleuchtungsvorgang.

Wenn dies nicht funktioniert, versuchen Sie bitte, Ihr Gerät mit einem Streichholz zu entzünden, um die Ursache zu ermitteln.

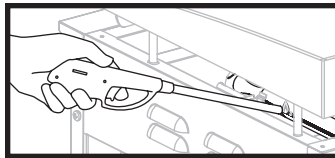
### ANWEISUNGEN ZUM ANZÜNDEDEN VON STREICHHÖLZERN

Prüfen Sie vor Beginn auf Gaslecks. Haube öffnen (falls vorhanden).

**SCHRITT 01** Drehen Sie den Bedienknopf in die AUS-Position.

**SCHRITT 02** Zünden Sie ein Streichholz (oder ein langes Feuerzeug) an, das nicht kürzer als 11 Zoll lang ist.

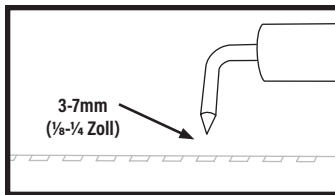
**SCHRITT 03** Stellen Sie die Flamme neben den Brenner.



**SCHRITT 04** Drücken Sie den Steuerknopf hinein und drehen Sie ihn, um den Gasfluss zu starten. Stellen Sie sicher, dass der Brenner brennt und brennt.

### WENN SIE IHR GERÄT MIT EINEM STREICHHOLZ ENTZÜNDEDEN KÖNNEN:

MÖGLICHE URSACHEN	LÖSUNG
Zündkabel falsch ausgerichtet.	Stellen Sie sicher, dass die Zündnadel 3-7 mm (1/8-1/4 Zoll) vom Brenner entfernt und an den Brennerlöchern ausgerichtet ist.



Beschädigung der Zündanlage.	Wenden Sie sich für Ersatzteile an den Kundendienst.
------------------------------	--

### WENN SIE IHR GERÄT NICHT MIT EINEM STREICHHOLZ ENTZÜNDEDEN KÖNNEN:

MÖGLICHE URSACHEN	LÖSUNG
Brennerrohre erhalten keinen Brennstoff.	Reinigen Sie die Brennerbaugruppe, um die Verstopfung zu entfernen.

## FEHLERBEHEBUNG BEIM GASFLUSS

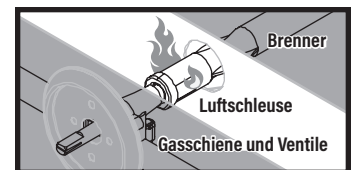
### DAS GERÄT ERREICHT KEINE HOHE HITZE ODER HEIZT UNGLEICHMÄSSIG:

- Brennerflammen sind gelb oder unregelmäßig.
- Die Brennerflammen beginnen stark und fallen dann sofort auf niedrig ab, selbst wenn der Brenner auf die hohe Position eingestellt ist.
- Die Flammenhöhe sinkt, wenn ein zweiter Brenner angezündet wird.
- Flammen erstrecken sich nicht über die volle Länge des Brenners oder laufen nur auf einer Seite des Brenners.
- Brennerflammen sind inkonsistent.

MÖGLICHE URSACHEN	LÖSUNG
Hindernisse im Brenner, den Gasdüsen oder der Kraftstoffschiene.	Brenner, Düsen und Gasschlauch reinigen.
Die Gasflasche ist leer oder fast leer.	Füllen Sie die Gasflasche auf oder ersetzen Sie sie.

- Eine Flamme kommt aus dem Lufttor.

MÖGLICHE URSACHEN	LÖSUNG
Etwas blockiert das Venturi im Brenner.	Reinigen Sie die Brennerbaugruppe, um die Verstopfung zu beseitigen.



Diese Seite wurde absichtlich freigelassen



Diese Seite wurde absichtlich freigelassen

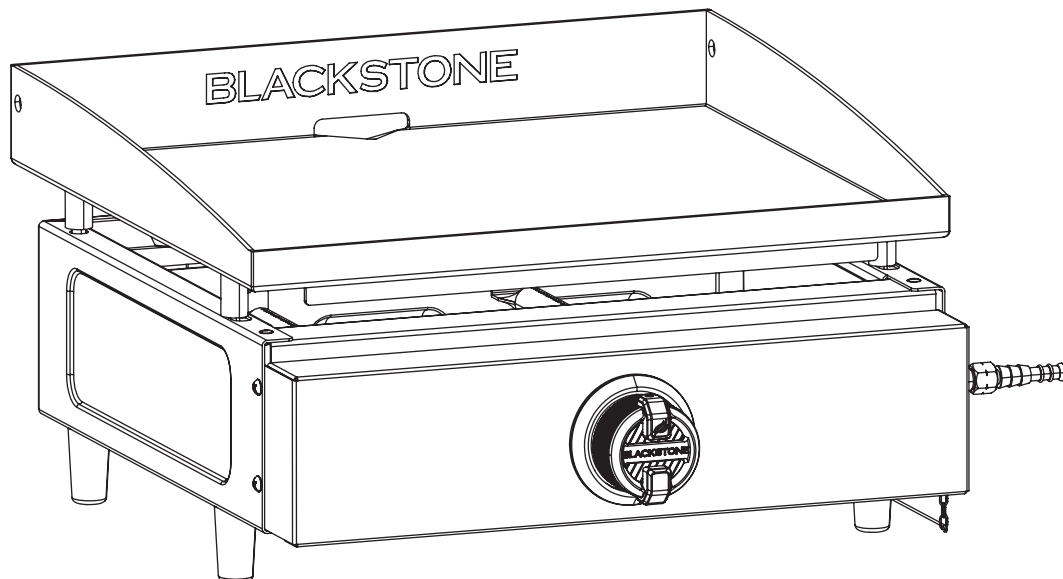


Dieses Produkt ist möglicherweise durch ein oder mehrere ausgestellte US-amerikanische und/oder internationale Patente geschützt und kann anhängige Patentanmeldungen enthalten.

Weitere Informationen finden Sie unter: [BlackstoneProducts.com/patents](https://BlackstoneProducts.com/patents)

HERSTELLER: NORTH ATLANTIC IMPORTS, LLC 1073 W 1700 N LOGAN, UT 84321 USA | BLACKSTONE IST EINE EINGETRAGENE MARKE VON NORTH ATLANTIC IMPORTS, LLC

IMPORTIERT VON GRIDDLE MASTERS, NORDRE STRANDVEJ 119, 3150 HELLEBAEK, DENMARK



MANUEL DU PROPRIÉTAIRE | INSTRUCTIONS DE MONTAGE POUR APPAREIL À GAZ EXTÉRIEUR

# 17" PLAQUE CHAUFFANTE

## TABLE DES MATIÈRES

INFORMATIONS DE SÉCURITÉ IMPORTANTES .....	02
SERVICE CLIENT .....	03
GUIDE D'ASSEMBLAGE .....	04
UTILISATION DE VOTRE BLACKSTONE .....	07
DÉPANNAGE .....	13

### IMPORTANT:

Utiliser uniquement à l'extérieur.

Lisez les instructions avant d'utiliser l'appareil.

Garde ce manuel pour y revenir plus tard.

Si vous avez des questions concernant l'assemblage ou le fonctionnement, consultez votre revendeur ou la société de gaz GPL.

### CLÉ D'ALERTE DE SÉCURITÉ

#### ⚠ DANGER

Indique une situation dangereuse qui, si elle n'est pas évitée, entraînera la mort ou des blessures graves.

#### ⚠ ATTENTION

Indique une situation dangereuse qui, si elle n'est pas évitée, pourrait entraîner des blessures mineures ou modérées.

#### ⚠ AVERTISSEMENT

Indique une situation dangereuse qui, si elle n'est pas évitée, peut entraîner la mort ou des blessures graves.

#### AVIS

Indique des informations considérées comme importantes, mais non liées à un danger (par exemple, des messages liés à des dommages matériels).

# INFORMATIONS DE SÉCURITÉ IMPORTANTES

## POUR VOTRE SÉCURITÉ

Si vous sentez une odeur de gaz:

1. Coupez l'alimentation en gaz à la bouteille de gaz.
2. Éteignez toutes les flammes nues ; ne pas faire fonctionner d'appareils électriques.
3. Ventilez la zone.
4. Vérifiez les fuites comme indiqué dans ce manuel.
5. Si l'odeur persiste, contactez immédiatement votre revendeur ou fournisseur de gaz.

## PRÉCAUTIONS

1. Testez toutes les connexions après chaque remplissage du réservoir.
2. Ne jamais vérifier les fuites avec une flamme nue, toujours utiliser une solution d'eau savonneuse.
3. Ne stockez pas et n'utilisez pas d'essence ou d'autres vapeurs et liquides inflammables à proximité de cet appareil.
4. Toute bouteille de gaz non connectée pour utilisation ne doit pas être stockée à proximité de cet appareil ou de tout autre appareil.



## UN INCENDIE OU UNE EXPLOSION DANGEREUX PEUT SURVENIR SI LES INSTRUCTIONS SONT IGNORÉES.

Il est de la responsabilité du consommateur de s'assurer que l'appareil est correctement assemblé, installé et entretenu. Le non-respect des instructions de ce manuel peut entraîner des blessures et/ou des dommages matériels.

FRANÇAIS

<b>MODÈLE/TYPE NO.</b>	2142EU			<b>CE</b> 2531-23	<b>UK</b> <b>CA</b> 8504-23
<b>APPORT DE CHALEUR:</b>	1 x 3.5 kW	<b>TOTAL:</b>	3.5 kW (254.5 g/h)		
<b>CATÉGORIE DE GAZ:</b>	<b>I3+(28~30/ 37)</b>		<b>I3B/P(30)</b>	<b>I3B/P(50)</b>	
<b>TYPE DE GAZ:</b>	Butane (G30)	Propane (G31)	G30, G31 ou leurs mélanges		G30, G31 ou leurs mélanges
<b>PRESSION DU GAZ:</b>	(28-30) mbar	37mbar	(28-30) mbar	50 mbar	
<b>CODE PIN:</b>	<b>CE:</b> 2531DN-0117		<b>UKCA:</b> 8504DO-0003		<b>UKCA:</b> 8504DO-0003
	BE, FR, IT, LU, IE, GB, GR, PT, ES, CY, CZ, LT, CH, SI, LV, TR		LU, NL, DK, FI, SE, CY, CZ, EE, LT, MT, SK, SI, BG, IS, NO, HR, RO, IT, HU, LV, GR		DE, AT, CH, SK
<b>Utiliser uniquement à l'extérieur.</b>					
<b>Lisez les instructions avant d'utiliser l'appareil.</b>					
<b>⚠ ATTENTION: Les pièces accessibles peuvent être très chaudes. Tenez les jeunes enfants éloignés.</b>					
<b>Cet appareil doit être tenu à l'écart des matériaux inflammables pendant son utilisation.</b>					
<b>Ne déplacez pas l'appareil pendant son utilisation.</b>					
<b>Coupez l'alimentation en gaz de la bouteille de gaz après utilisation.</b>					
<b>NE MODIFIEZ PAS l'appareil.</b>					

## EXIGENCES DU RÉGULATEUR ET DU TUYAU

- Utilisez uniquement des régulateurs et des tuyaux approuvés pour le GPL aux pressions ci-dessus. Le tuyau utilisé doit être conforme à la norme en vigueur pour le pays d'utilisation.
- Utilisez un régulateur approprié certifié BSEN 12864 ou EN 16129. Assurez-vous que le régulateur et le tuyau flexible sont conformes au code local.
- La longueur du tuyau flexible ne doit pas dépasser 1,5 m. En Finlande, la longueur ne doit pas dépasser 1,2 m. Le tuyau doit être certifié conformément à la norme EN applicable et être conforme au code local.

Veuillez consulter votre revendeur GPL pour obtenir des informations concernant un régulateur approprié pour la bouteille de gaz.

## ⚠ AVERTISSEMENT

L'utilisation du mauvais régulateur ou du mauvais tuyau est dangereuse ; vérifiez toujours que vous disposez des bons éléments avant d'utiliser l'appareil.

Cet appareil ne peut être utilisé qu'avec des mélanges de gaz butane ou propane ou GPL à basse pression, équipés du régulateur basse pression approprié via un tuyau flexible.

La durée de vie du détendeur et du flexible est estimée à 2 ans.



# SERVICE CLIENT

## CONTACTEZ-NOUS

Pour toutes questions, demandes de renseignements ou assistance client, veuillez contacter:

**Griddle Masters Europe ApS**

**Blackstone Europe**

**Tel. +45 2424 7709**

**Nordre Strandvej 119, 3150 Hellebæk  
Denmark**

**[www.blackstone-europe.com](http://www.blackstone-europe.com)**

## GARANTIE DE DEUX ANS

North Atlantic Imports, LLC garantit ce produit contre les défauts de matériaux et de fabrication pendant une période de deux (2) ans à compter de la date d'achat originale dans des conditions normales d'utilisation. Dans la mesure où de tels défauts se produisent, North Atlantic Imports, LLC, à sa discrétion, fournira gratuitement la ou les pièces de remplacement appropriées.

En aucun cas North Atlantic Imports, LLC ne sera responsable des dommages consécutifs, indirects ou accessoires résultant de l'installation, de l'utilisation ou de la défaillance du produit.

Cette garantie NE couvre PAS:

- Frais d'inspection ou de main d'œuvre pour le remplacement de toute pièce défectueuse;
- Défauts cosmétiques qui n'affectent pas les performances ou l'intégrité du produit;
- L'usure normale;
- Dommages dus au vandalisme ; les catastrophes naturelles, y compris, mais sans s'y limiter, le vent, les tempêtes, la grêle et les inondations;
- Un assemblage, une installation ou une utilisation inappropriés;
- Décoloration ou décoloration de la finition résultant d'une exposition à des produits chimiques, à des déversements, à l'eau de piscine ou à l'eau salée;
- Corrosion/rouille.

Ce produit a été conçu pour la sécurité et la qualité. Toute modification apportée au produit d'origine pourrait compromettre son intégrité structurelle ou sa fonction et entraîner une défaillance du produit ou des blessures. En tant que tel, la modification de ce produit annule toutes les garanties.

Ce produit est destiné à un USAGE RÉSIDENTIEL UNIQUEMENT et n'est pas destiné à des fins commerciales, contractuelles ou autres fins non résidentielles. North Atlantic Imports, LLC décline toute autre représentation et garantie de quelque nature que ce soit, expresse ou implicite.

La garantie s'applique à l'acheteur d'origine et n'est pas transférable. Elle ne s'applique pas aux accessoires ou pièces non fournis avec le produit, aux achats de modèles d'exposition ou aux produits vendus en liquidation ou « tels quels ». Vous pouvez cependant bénéficier d'autres droits légaux spécifiques basés sur les lois de votre état ou pays de résidence.

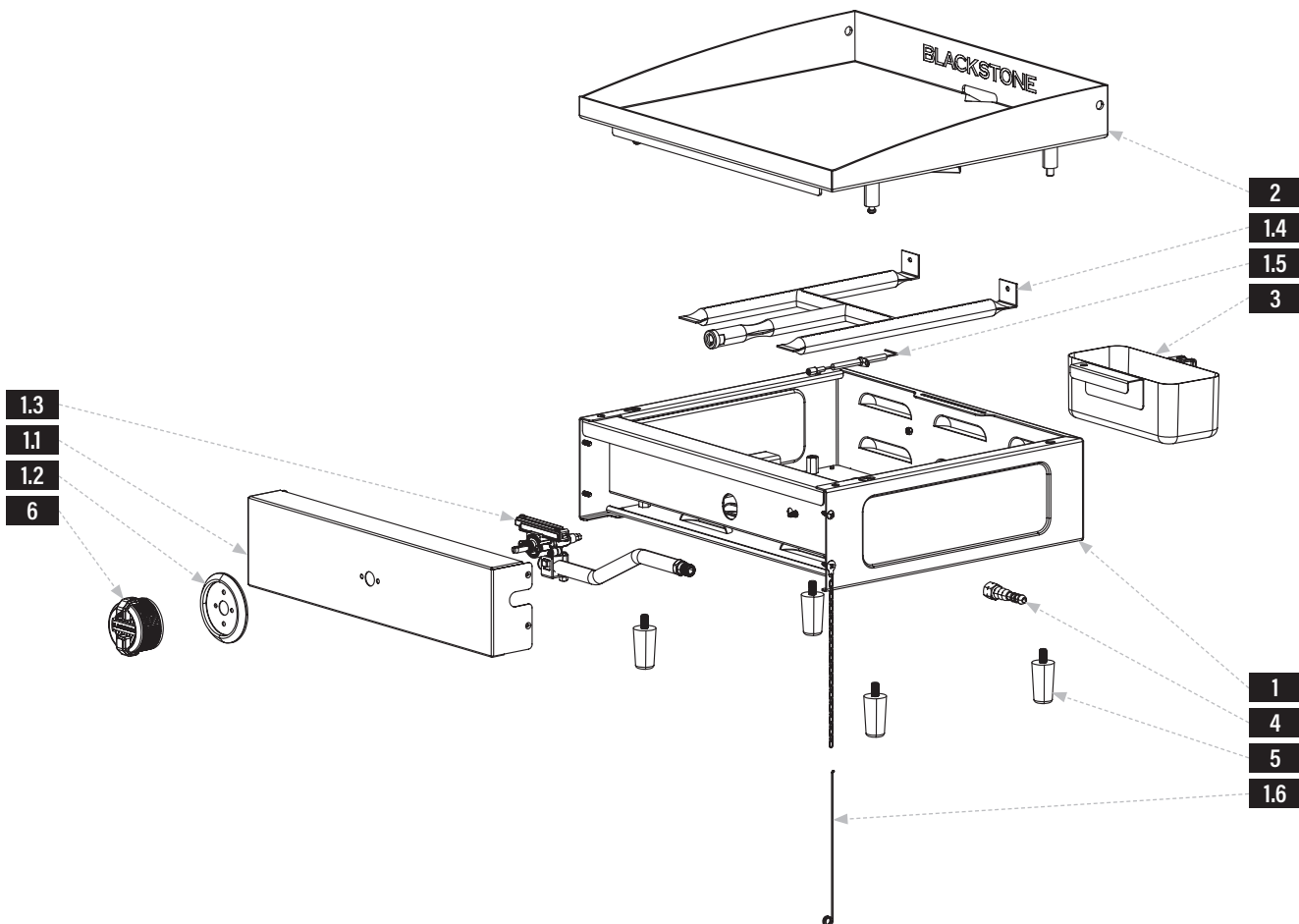
Pour activer votre garantie, enregistrez votre produit sur

**[blackstone-europe.com/pages/product-registration](http://blackstone-europe.com/pages/product-registration)**

North Atlantic Imports, LLC se réserve le droit de changer ou de modifier cette garantie à tout moment.

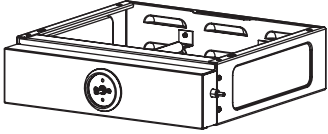
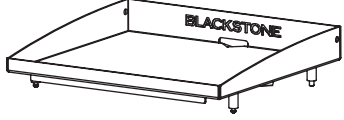
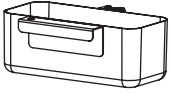
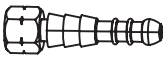


# GUIDE D'ASSEMBLAGE

## VUE ÉCLATÉE



### LISTE DES PIÈCES

PIÈCES	QTÉ
1.1 Panneau de commande	1
1.2 Lunette de bouton de commande	1
1.3 Rampe de gaz	1
1.4 Brûleur H	1
1.5 Aiguille d'allumage	1
1.6 Porte-bâton d'allumette	1

<p><b>1</b> Corps (1 pièce)</p> 	<p><b>2</b> Plancha (1 pièce)</p> 		
<p><b>3</b> Pot à graisse (1 pièce)</p> 	<p><b>4</b> Embout de tuyau (1 pièce)</p> 	<p><b>5</b> Pieds de plancha (4 pièces)</p> 	<p><b>6</b> Bouton de controle (1 pièce)</p> 





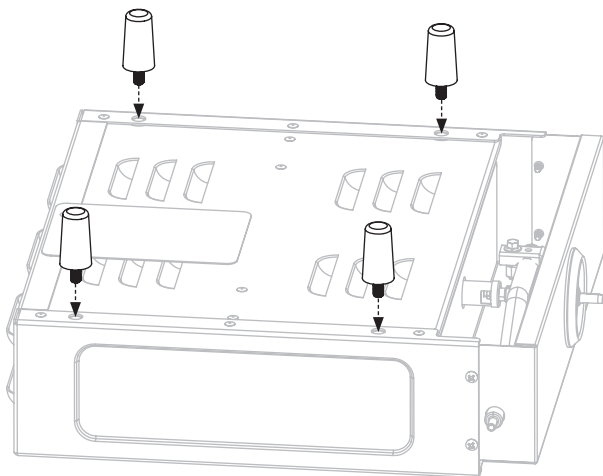
# INSTRUCTIONS DE MONTAGE

Trouvez une grande surface propre pour assembler votre appareil.  
Retirez tous les matériaux d'emballage avant l'assemblage.

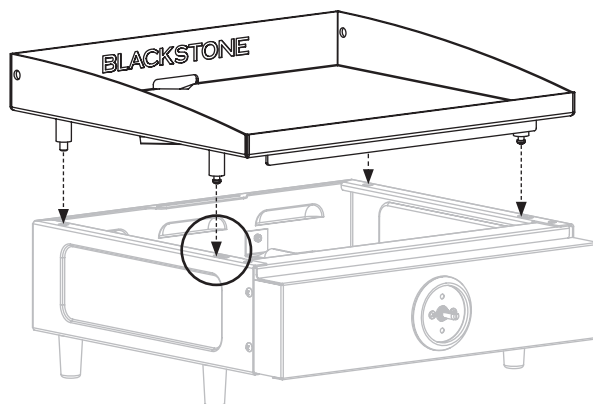
## ⚠ ATTENTION

Bouts pointus. Portez des gants lors de l'assemblage.

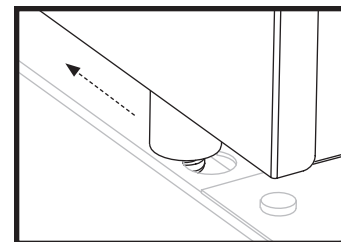
**ÉTAPE 01** Placez le corps de la plaque chauffante à l'envers sur une surface plane et lisse. Enfillez les quatre (4) pieds de la plaque chauffante dans le bas de la plaque chauffante.



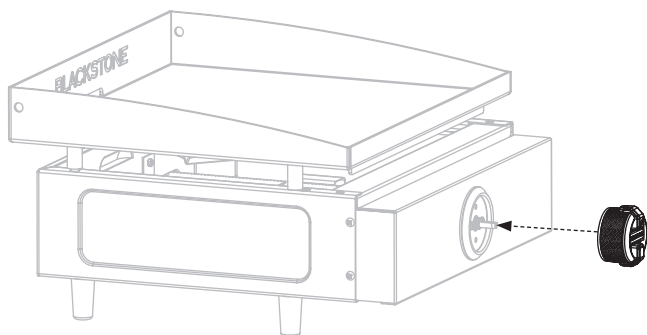
**ÉTAPE 02** Placez la plaque chauffante sur ses pieds. Placez le dessus de la plaque chauffante sur le corps de la plaque chauffante en alignant les quatre broches sur les trous du corps.



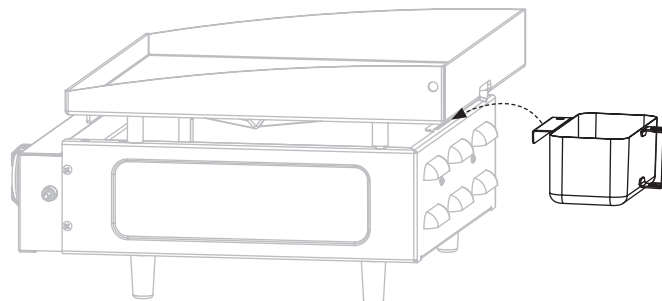
Assurez-vous que les broches avant sont bien en place dans les trous, puis repoussez le dessus de la plaque chauffante.



**ÉTAPE 03** Installez le bouton de commande en le poussant en place en position OFF.

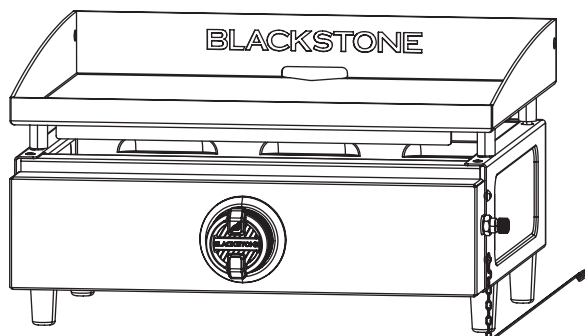


**ÉTAPE 04** Accrochez le bac à graisse dans la fente à l'arrière du corps de la plaque chauffante.



FRANÇAIS

**ÉTAPE 05** Passez à **UTILISATION DE VOTRE BLACKSTONE.**



**AVIS**

Placez l'appareil sur une surface résistante à la chaleur et aux flammes pendant son utilisation.



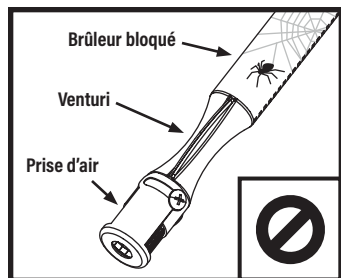
# UTILISATION DE VOTRE BLACKSTONE

## AVANT LA CUISSON

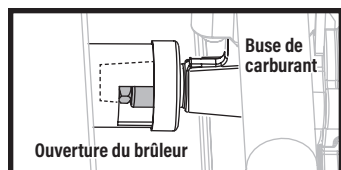
### VÉRIFIER LES BRÛLEURS

Avant le raccordement et l'utilisation, assurez-vous qu'il n'y a pas de débris coincés ou endommagés dans la tête de la bouteille de gaz, le régulateur, le tuyau, le brûleur et les orifices du brûleur.

Les araignées et les insectes peuvent nicher à l'intérieur et obstruer le brûleur/ tube venturi au niveau de l'orifice.



**⚠ AVERTISSEMENT**  
 Un brûleur obstrué peut provoquer un incendie sous l'appareil.  
 Le brûleur doit être retiré et nettoyé chaque fois que des blocages sont détectés.



**⚠** Assurez-vous que l'orifice de la buse de carburant de la rampe de gaz est correctement engagé dans l'ouverture du brûleur.

**LA TEMPÉRATURE AMBIANTE MINIMALE DE FONCTIONNEMENT EST DE 0 °F (-18 °C).**

**⚠ DANGER**  
 Les objets inflammables peuvent brûler s'ils sont placés à proximité de l'appareil.  
 Gardez la zone de l'appareil dégagée et exempte de matériaux combustibles, de bombes aérosols, d'essence et d'autres vapeurs et liquides inflammables.

**⚠ ATTENTION**  
 Si l'appareil est équipé d'un porte-essuie-tout, le bras doit être en position ouverte pendant l'utilisation de l'appareil.

**SI DE LA GRAISSE OU UN AUTRE MATÉRIAU CHAUD S'ÉGOUTTE SUR LA VANNE, LE TUYAU OU LE RÉGULATEUR:**

**ÉTAPE 01** Coupez immédiatement l'alimentation en gaz.

**ÉTAPE 02** Déterminez la cause et corrigez-la.

**ÉTAPE 03** Nettoyez et inspectez la vanne, le tuyau et le régulateur.

**ÉTAPE 04** Effectuez un test de fuite. (Veuillez vous référer aux instructions de test de fuite)

## AMÉNAGEMENT DE VOTRE ESPACE EXTÉRIEUR

**CET APPAREIL NE DOIT ÊTRE UTILISÉ QU'À L'EXTÉRIEUR.**

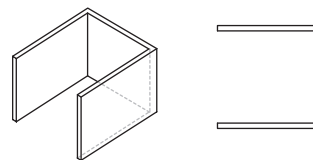
- N'UTILISEZ PAS cet appareil à l'intérieur de bâtiments, de garages ou de tout autre espace clos.
- N'INSTALLEZ PAS cet appareil dans ou sur un bateau.
- N'INSTALLEZ PAS cet appareil dans ou sur un véhicule récréatif.

### ESPACES EXTÉRIEURS ABRITÉS:

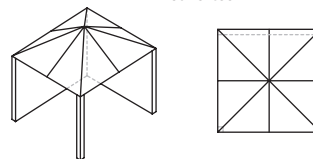
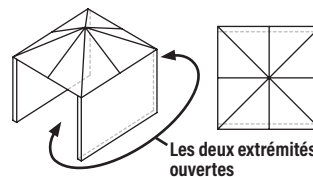
Toutes les ouvertures doivent être ouvertes en permanence ; les portes coulissantes, les portes de garage, les fenêtres ou les ouvertures grillagées ne sont pas considérées comme des ouvertures permanentes.

Un appareil est considéré comme étant à l'extérieur s'il est installé avec un abri ne dépassant pas:

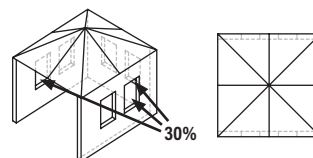
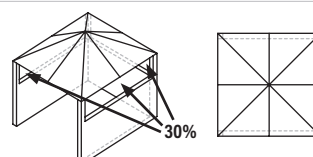
a. Avec des murs sur trois côtés, mais sans couverture aérienne.



b. À l'intérieur d'une enceinte partielle qui comprend un toit supérieur et pas plus de deux parois latérales. Les parois latérales peuvent être parallèles, comme dans un passage couvert, ou à angle droit l'une par rapport à l'autre.

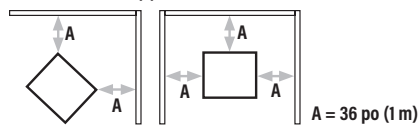


c. À l'intérieur d'une enceinte partielle qui comprend un couvercle supérieur et trois parois latérales, tant que 30% ou plus de la périphérie horizontale de l'enceinte est ouverte en permanence.



### MAINTENIR DES DÉGAGEMENTS APPROPRIÉS PAR RAPPORT AUX MATÉRIELS COMBUSTIBLES :

- N'UTILISEZ PAS cet appareil sur ou sous un balcon ou une terrasse d'appartement ou de copropriété.
- NE PAS obstruer le flux d'air de combustion et de ventilation.
- NE FAITES pas fonctionner cet appareil à moins de 36 po (1 m) des côtés et de l'arrière de l'appareil à une construction combustible.



- N'UTILISEZ PAS cet appareil sous une construction combustible suspendue.

FRANÇAIS

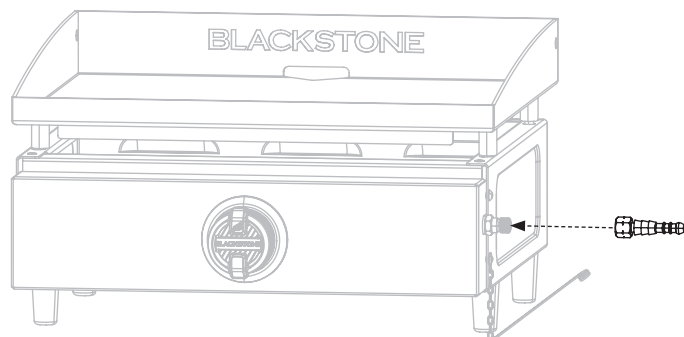
## FIXATION DU CYLINDRE DE CARBURANT

### FIXATION DU RÉGULATEUR

**ÉTAPE 01** Le régulateur et le tuyau doivent être correctement raccordés à l'appareil. Une clé doit être utilisée pour serrer l'écrou sur le filetage de raccordement.

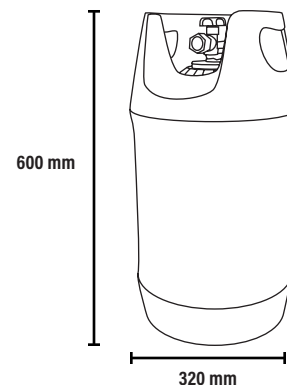
Si vous utilisez une pince à carburant, fixez le raccord cannelé à la rampe de gaz.

(Barb est un filetage à gauche.)



### EXIGENCES RELATIVES AUX BOUTEILLES DE GPL

- Votre appareil peut être utilisé avec des bouteilles de gaz entre 11 kg et 15 kg.
- La taille maximale de la bouteille de gaz doit être : Dia. 320 mm, Hauteur : 600 mm (régulateur inclus).
- Suivez les informations techniques comme indiqué dans le manuel d'instructions et vérifiez auprès de votre fournisseur de gaz local pour avoir une bouteille de gaz adaptée à votre appareil.



### SÉCURITÉ DES BOUTEILLES DE GAZ

- La bouteille de gaz ne doit pas tomber ou être manipulée brutalement.
- Si l'appareil n'est pas utilisé, le cylindre doit être débranché.
- Remplacez le capuchon de protection sur la bouteille après avoir débranché la bouteille de l'appareil.
- La bouteille de gaz doit être située à l'extérieur du corps de l'appareil.
- Connectez ou remplacez toujours la bouteille dans un endroit bien aéré et loin de toute source d'ignition, jamais en présence d'une flamme, d'une étincelle ou d'une source de chaleur.
- Les bouteilles doivent être entreposées à l'extérieur en position verticale et hors de portée des enfants. La bouteille ne doit jamais être entreposée à des températures pouvant atteindre plus de 50°C. Ne rangez pas la bouteille à proximité de flammes, de veilleuses ou d'autres sources d'inflammation. NE PAS FUMER.
- Assurez-vous que le compartiment de la bouteille de gaz (le cas échéant) n'est pas obstrué, maintenez-le ventilé et propre.
- Vous devrez faire entretenir ou remplacer le cylindre tous les dix ans. La date du dernier service doit être estampillée sur le goulot de la bouteille.
- En cas d'utilisation au sol, placez toujours l'appareil et le cylindre sur un sol plat.

**ÉTAPE 02** Si le tuyau est remplacé, il doit être fixé aux connexions de l'appareil et du régulateur avec des colliers de serrage.

### ÉVITEZ DE TORDRE LE TUBE FLEXIBLE LORSQUE L'APPAREIL EST EN COURS D'UTILISATION.

- Assurez-vous que le tuyau n'est pas obstrué, plié ou en contact avec une partie quelconque de l'appareil autre qu'au niveau de son raccordement.
- Le tuyau usé ou endommagé doit être remplacé.
- Vérifiez le joint torique en caoutchouc sur l'extrémité du régulateur de l'ensemble de tuyau au moins une fois par an. S'il semble usé ou fissuré, faites-le remplacer.
- Débranchez le régulateur de la bouteille (selon les instructions fournies avec le régulateur) lorsque l'appareil n'est pas utilisé.

## INSTRUCTIONS DE TEST DE FUITE

**ÉTAPE 01** Préparez 2 à 3 onces liquides de solution de détection de fuites en mélangeant une part de liquide vaisselle avec 3 parts d'eau.

**ÉTAPE 02** Fermez l'alimentation en gaz au robinet de la bouteille de gaz.

**ÉTAPE 03** Assurez-vous que la soupape de commande est sur « OFF ».

**ÉTAPE 04** Connectez le régulateur à la bouteille et la vanne MARCHÉ/ARRÊT au brûleur, assurez-vous que les connexions sont sécurisées, puis allumez le gaz.

**ÉTAPE 05** Brossez l'eau savonneuse sur le tuyau et tous les joints. Si des bulles apparaissent, vous avez une fuite, qui doit être réparée avant utilisation. Retestez après avoir réparé le défaut.

**ÉTAPE 06** Coupez l'alimentation en gaz de la bouteille de gaz après utilisation. Si une fuite est détectée à nouveau et ne peut pas être corrigée, N'ESSAYEZ PAS de remédier à la fuite mais consultez votre fournisseur de gaz.



# INSTRUCTIONS D'ALLUMAGE

## 1. CLAPETS ANTI-RETOUR

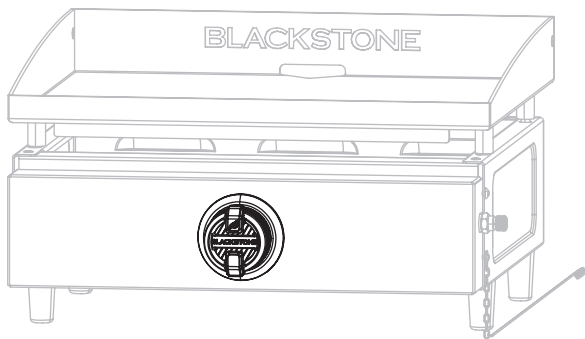
⚠ Assurez-vous que le gaz est coupé au niveau du robinet d'arrêt d'alimentation avant de vérifier les vannes de l'appareil.

**ÉTAPE 01** Tournez tous les boutons en position ❶ d'arrêt.

**ÉTAPE 02** Appuyez sur le bouton et relâchez. Le bouton devrait revenir en arrière.

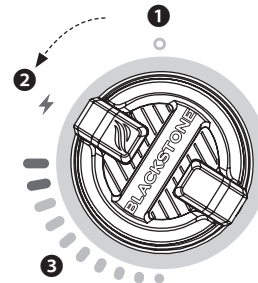
Si les boutons ne reviennent pas, remplacez l'assemblage de la valve avant d'utiliser l'appareil.

**ÉTAPE 03** Tournez le bouton sur LOW puis remettez-le sur OFF. Le bouton doit tourner en douceur.



## 2. ALLUMAGE PIÉZO-ÉLECTRIQUE DE LA PLAQUE CHAUFFANTE

⚠ Ne vous penchez pas sur l'appareil pendant l'allumage.



### ÉTAPE 01

Allumez le gaz en tournant le volant de la bouteille de gaz de 1 à 3 tours dans le sens antihoraire.

### ÉTAPE 02

- ❶ Appuyez sur le bouton de commande pour démarrer l'écoulement du gaz.
- ❷ Tournez le bouton de commande dans le sens antihoraire pour activer le démarreur.
- ❸ Réglez la température au niveau souhaité.

### ⚠ AVERTISSEMENT

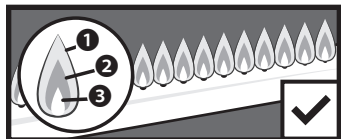
Si le brûleur ne s'allume pas, fermez le bouton de commande (dans le sens des aiguilles d'une montre) et fermez également le robinet de la bouteille. Attendez cinq minutes avant de tenter de rallumer avec la séquence d'allumage.

## 3. VÉRIFIEZ TOUJOURS LA FLAMME DU BRÛLEUR AVANT UTILISATION.

**ÉTAPE 01** Allumez les brûleurs et tournez les boutons de HAUT à BAS.

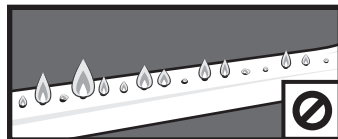
**ÉTAPE 02** Regardez sous la surface de cuisson pour voir les brûleurs. Lorsque le bouton est sur HIGH, les flammes doivent être plus grandes que lorsque le bouton est sur LOW.

### MODÈLE DE FLAMME SAIN



- ❶ Scintillements de couleur jaune.
- ❷ Couleur bleu foncé. ❸ Bleu vif.

### JAUNE OU IRRÉGULIER



En cas de chute soudaine ou de problème de flamme faible, veuillez vous référer au chapitre Dépannage.

### ⚠ AVERTISSEMENT

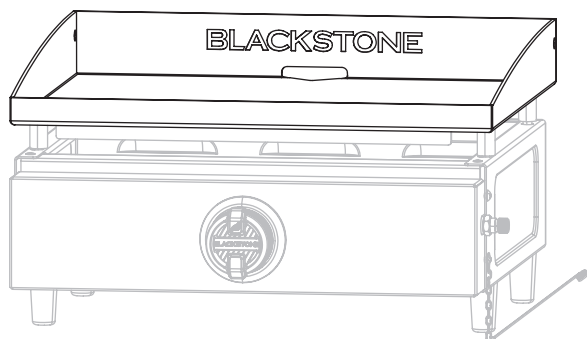
Si le brûleur ne s'allume pas avec la vanne d'alimentation en gaz ouverte, le gaz continuera à s'écouler du brûleur et pourrait s'enflammer accidentellement/par inadvertance avec un risque de blessure.

**Si l'allumage ne se produit pas dans les 5 secondes:**

1. Éteignez le bouton de commande du brûleur.
2. Attends 5 minutes.
3. Répétez la procédure d'éclairage.

Si le brûleur ne s'allume pas, veuillez vous référer au chapitre Dépannage.

# INSTRUCTIONS D'ASSAISONNEMENT POUR PLAQUE CHAUFFANTE



FRANÇAIS

## LAVER LE DESSUS DE VOTRE PLANCHA AVANT LA PREMIÈRE UTILISATION

### AVIS

Le savon ruinerait une plaque chauffante assaisonnée. C'est la seule fois où vous devez utiliser du savon sur la surface de cuisson de la plaque chauffante.

**ÉTAPE 01** Lavez la surface de cuisson de la plaque chauffante avec de l'eau chaude savonneuse.

**ÉTAPE 02** Rincez et séchez complètement.

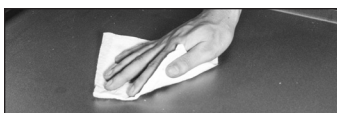
## ASSAISONNER VOTRE PLANCHA



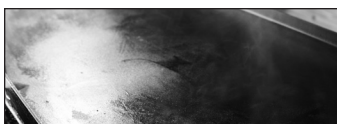
### DIDACTICIEL VIDÉO

Comment assaisonner une nouvelle plaque chauffante Blackstone  
[youtube.com/watch?v=VspmDVnj2pl&t=3s](https://www.youtube.com/watch?v=VspmDVnj2pl&t=3s)

**ÉTAPE 01** Essuyez tous les débris du dessus de la plaque chauffante.



**ÉTAPE 02** Réglez votre plaque chauffante à feu vif jusqu'à ce que le dessus de votre plaque chauffante change de couleur. (~10 minutes)

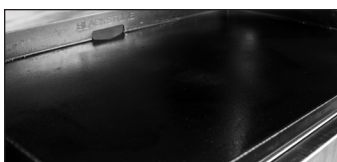


**ÉTAPE 03** Utilisez des pinces pour tenir une serviette en papier ou un chiffon en coton et étalez 2 à 3 cuillères à soupe de votre huile d'assaisonnement sur tout le dessus de la plaque chauffante.

Lorsque vous assaisonnez le dessus de votre plaque chauffante, n'oubliez pas d'utiliser une couche d'huile fine et uniforme - plus la couche d'huile est fine, plus il sera facile de la brûler.



**ÉTAPE 04** Le dessus de la plaque chauffante est prêt pour une autre couche d'huile lorsqu'il cesse de fumer. Répétez **L'ÉTAPE 03** 3 à 4 fois ou jusqu'à ce que la surface de la plaque chauffante soit noire.



### AVIS

Ne rangez aucun objet à moins de 8 cm (3 po) du dessus de la plaque chauffante pendant son utilisation.

### QUELLE HUILE EST PRÉFÉRABLE D'UTILISER?

- Blackstone Seasoning and Cast Iron Conditioner.
- Toute huile de cuisson à base de plantes.
- Graisse animale fondue sans additifs.



### ATTENTION

Jetez correctement les chiffons/serviettes utilisés pour répandre l'huile sur votre plaque chauffante afin d'éviter les incendies qui pourraient survenir en raison d'une combustion spontanée.

Dans de bonnes conditions, l'huile résiduelle sur les chiffons ou les serviettes peut s'oxyder longtemps après avoir été retirée d'une source de chaleur. Le processus d'oxydation lui-même produit de la chaleur qui, si elle n'est pas dissipée, peut s'accumuler et provoquer l'inflammation des chiffons/serviettes et des matériaux environnants.

## DÉPANNAGE DE L'ASSAISONNEMENT

### IL Y A UN RÉSIDU BRUNÂTRE SUR LA SURFACE DE LA PLAQUE CHAUFFANTE:

#### CAUSES POSSIBLES

- Trop d'huile a été utilisée.
- Vous avez éteint le chauffage trop tôt.

#### LA SOLUTION

**ÉTAPE 01** Allumez votre plaque chauffante à feu vif et laissez-la chauffer pendant 10 à 15 minutes.

**ÉTAPE 02** Grattez autant que possible l'huile épaissie et partiellement cuite.

**ÉTAPE 03** Réassaisonnez avec une très fine couche d'huile.

### LES BORDS DE LA SURFACE DE LA PLAQUE CHAUFFANTE NE SONT PAS NOIRS:

Après avoir utilisé votre plaque chauffante pour plusieurs cuisiniers, l'assaisonnement s'uniformisera et s'améliorera.

### PRÉVENTION DE LA ROUILLE

Utilisez fréquemment votre plancha. Chaque fois que vous cuisinez, vous ajoutez de l'assaisonnement, ce qui rend la rouille moins probable.

### AVIS

Si vous vivez dans un climat humide ou côtier, votre plancha peut nécessiter des assaisonnements plus fréquents entre les utilisations.

Si de la rouille apparaît sur la surface de la plaque chauffante, frottez-la avec de la laine d'acier, du papier de verre à faible grain ou la **Blackstone Pumice Stone** et ré-assaisonnez la surface.



### DIDACTICIEL VIDÉO

Récupération de votre plaque chauffante Blackstone  
[youtube.com/watch?v=thPE2IgnSil](https://www.youtube.com/watch?v=thPE2IgnSil)





## CUISINER SUR VOTRE BLACKSTONE

### ⚠ ATTENTION

Cet appareil sera chaud pendant et après son utilisation. Utilisez des ustensiles à long manche et des gants de cuisine/de protection lorsque vous manipulez des pièces potentiellement chaudes, y compris les poignées proches du corps de l'appareil, pour vous protéger contre les brûlures et les éclaboussures.

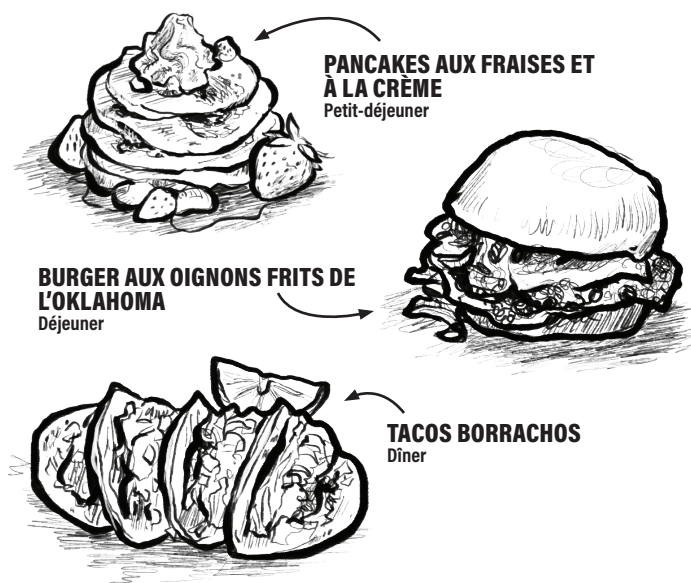
### RECETTES VIDÉO

Trouvez des recettes et des conseils de cuisine sur:

[BlackstoneProducts.com/recipes](https://BlackstoneProducts.com/recipes)

[youtube.com/BlackstoneGriddles](https://youtube.com/BlackstoneGriddles)

@blackstoneproducts



### NETTOYER LE DESSUS DE VOTRE PLANCHA

Nettoyez le dessus de la plaque chauffante après chaque utilisation, pendant qu'il est encore chaud.

- N'UTILISEZ PAS de savon sur le dessus de la plaque chauffante. Cela détruira l'assaisonnement de la plaque chauffante.



#### DIDACTICIEL VIDÉO

Comment nettoyer votre plaque chauffante Blackstone  
[youtube.com/watch?v=-ledu9z6NPY](https://youtube.com/watch?v=-ledu9z6NPY)

**ÉTAPE 01** Poussez les débris alimentaires dans le bac à graisse avec une spatule ou un grattoir métallique droit.



**ÉTAPE 02** Essuyez le dessus de la plaque chauffante avec une serviette en papier.



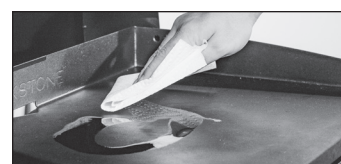
**ÉTAPE 03** Appliquez quelques cuillères à soupe d'eau sur la surface de la plaque chauffante, puis raclez l'eau et les débris dans le bac à graisse. (Pour les résidus alimentaires collés, utilisez un peu de gros sel.)



**ÉTAPE 04** Essuyez à nouveau avec une serviette en papier et séchez complètement.



**ÉTAPE 05** Appliquez une fine couche d'huile de cuisson pour maintenir l'assaisonnement et protéger le dessus de la plaque chauffante.



### VIDEZ VOTRE GODET À GRAISSE

Le bac à graisse doit être retiré et vidé après chaque utilisation.

### ⚠ ATTENTION

Le bac à graisse sera chaud pendant et après l'utilisation. Ne retirez pas le bac à graisse tant que la plaque chauffante n'est pas complètement refroidie.

## ENTRETIEN ET MAINTENANCE

### ⚠ AVERTISSEMENT

L'accumulation de graisse peut provoquer un incendie. Nettoyez toute partie de l'appareil qui devient chaude et qui subit une accumulation de graisse après chaque utilisation.

### ⚠ ATTENTION

Tout le nettoyage et l'entretien doivent être effectués lorsque l'appareil est froid et que tout est éteint.

- N'UTILISEZ PAS de tampon abrasif sur les zones comportant des graphiques.
- Si une brosse à poils est utilisée pour nettoyer l'une des surfaces de cuisson, assurez-vous qu'aucun poil lâche ne reste sur les surfaces de cuisson avant la cuisson.

### CORPS DE L'APPAREIL:

Laver à l'eau tiède savonneuse et essuyer immédiatement avec un chiffon non abrasif. (Ne laissez pas les agents de nettoyage reposer sur une surface poreuse pendant une période prolongée.)

### AVIS

N'UTILISEZ PAS de Citrisol, de nettoyants abrasifs ou de nettoyant concentré sur l'appareil. Cela peut entraîner des dommages et une défaillance des pièces.

## STOCKAGE D'APPAREILS

### ⚠ AVERTISSEMENT

Ne déplacez pas l'appareil pendant son utilisation. Laissez l'appareil refroidir à 115°F (45°C) avant de le déplacer ou de le ranger.

Le stockage d'un appareil à l'intérieur n'est autorisé que si l'alimentation en gaz est coupée et retirée de l'appareil.

### GUIDE D'AJUSTEMENT DE COUVERTURE

Couvrez toujours votre appareil lorsqu'il est rangé à l'extérieur.



Pour trouver une housse adaptée à votre appareil, visitez [BlackstoneProducts.com/support](https://BlackstoneProducts.com/support).

## NETTOYAGE DE L'ENSEMBLE BRÛLEUR

Pour réduire les risques de « retour de flamme », la procédure ci-dessous doit être suivie au moins une fois par mois lorsque les araignées sont les plus actives ou lorsque votre appareil n'a pas été utilisé pendant une période de temps.



### DIDACTICIEL VIDÉO

Comment nettoyer votre tube de brûleur  
 ▶ [youtube.com/watch?v=xKQTCrFCzf8](https://youtube.com/watch?v=xKQTCrFCzf8)

**ÉTAPE 01** Détachez l'ensemble régulateur de la bouteille de GPL en tournant l'écrou de couplage rapide dans le sens des aiguilles d'une montre.

- Retirez le dessus de la plaque chauffante.
- Retirez le brûleur en tirant sur le clip du brûleur. Utilisez un tournevis ou une pince à bec effilé.

**ÉTAPE 02** Soulevez délicatement le brûleur et éloignez-le de l'orifice de la soupape à gaz.

**ÉTAPE 03** Nettoyez l'intérieur du brûleur:

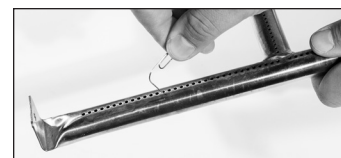
- Passez une brosse à bouteille (pas une brosse métallique) ou un fil rigide plié en un petit crochet à travers chaque tube de brûleur plusieurs fois.
- Utilisez de l'air comprimé pour souffler à travers le tube du brûleur et les orifices du brûleur (portez des lunettes de protection).



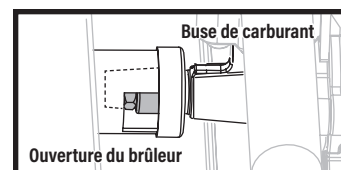
**ÉTAPE 04** Brossez toute la surface extérieure du brûleur pour enlever la saleté.



**ÉTAPE 05** Nettoyez tous les ports bloqués avec un fil rigide tel qu'un trombone ouvert.



**ÉTAPE 06** Remplacez soigneusement les brûleurs et rattachés-les, en faisant attention à l'emplacement de l'aiguille d'allumage.



⚠ La buse de carburant de la rampe de gaz doit être réengagée dans l'ouverture du brûleur.





# DÉPANNAGE

## DÉPANNAGE D'ALLUMAGE

### LE BRÛLEUR NE S'ALLUME PAS:

Si l'allumage ne se produit pas dans les 5 secondes:

**ÉTAPE 01** Éteignez le bouton de commande du brûleur.

**ÉTAPE 02** Attendez 5 minutes.

**ÉTAPE 03** Répétez la procédure d'allumage.

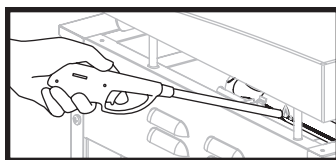
Si cela ne fonctionne pas, pour en déterminer la cause, essayez d'allumer votre appareil avec une allumette.

### INSTRUCTIONS D'ALLUMAGE DES ALLUMETTES

Avant de commencer, vérifiez les fuites de gaz. Ouvrez le capot (le cas échéant).

**ÉTAPE 01** Tourner le bouton de commande en position OFF.

**ÉTAPE 02** Allumez une allumette (ou un long briquet) d'au moins 11 pouces de long.

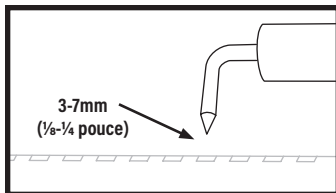


**ÉTAPE 03** Placez la flamme sur le côté droit ou gauche du brûleur.

**ÉTAPE 04** Poussez et tournez le bouton de commande pour faire couler le gaz. Assurez-vous que le brûleur s'allume et reste allumé.

### SI VOUS POUVEZ ALLUMER VOTRE APPAREIL AVEC UNE ALLUMETTE:

CAUSES POSSIBLES	LA SOLUTION
Fil d'allumage mal aligné.	Assurez-vous que l'aiguille de l'allumeur est positionnée à 3-7 mm (1/8-1/4 pouce) du brûleur et alignée avec les trous du brûleur.



Dommages au système d'allumage.	Contactez le service client pour les pièces de rechange.
---------------------------------	--

### SI VOUS NE PARVEZ PAS À ALLUMER VOTRE APPAREIL AVEC UNE ALLUMETTE:

CAUSES POSSIBLES	LA SOLUTION
Les tubes de brûleur ne reçoivent pas de combustible.	Nettoyez l'ensemble du brûleur pour éliminer l'obstruction.

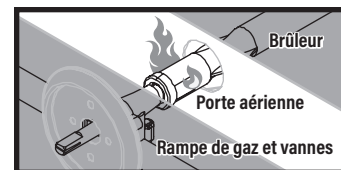
## DÉPANNAGE DU DÉBIT DE GAZ

### L'APPAREIL N'ATTEINDRA PAS UNE CHALEUR ÉLEVÉE OU CHAUFFERA DE MANIÈRE INÉGALE :

- Les flammes du brûleur sont jaunes ou irrégulières.
- Les flammes du brûleur commencent à être fortes, puis chutent immédiatement au niveau bas même lorsque le brûleur est réglé en position haute.
- La hauteur de la flamme diminue lorsqu'un deuxième brûleur est allumé.
- Les flammes ne s'étendent pas sur toute la longueur du brûleur ou ne circulent que d'un côté du brûleur.
- Les flammes du brûleur sont irrégulières.

CAUSES POSSIBLES	LA SOLUTION
Obstructions dans le brûleur, les jets de gaz ou la rampe de carburant.	Nettoyez le brûleur, les jets et le tuyau de gaz.
La bouteille de gaz est vide ou presque vide.	Remplissez ou remplacez la bouteille de gaz.

- Une flamme sort de la grille d'aération.



CAUSES POSSIBLES	LA SOLUTION
Quelque chose bloque le venturi dans le tube du brûleur.	Nettoyez l'ensemble du brûleur pour éliminer l'obstruction.

Cette page a été intentionnellement laissée vierge

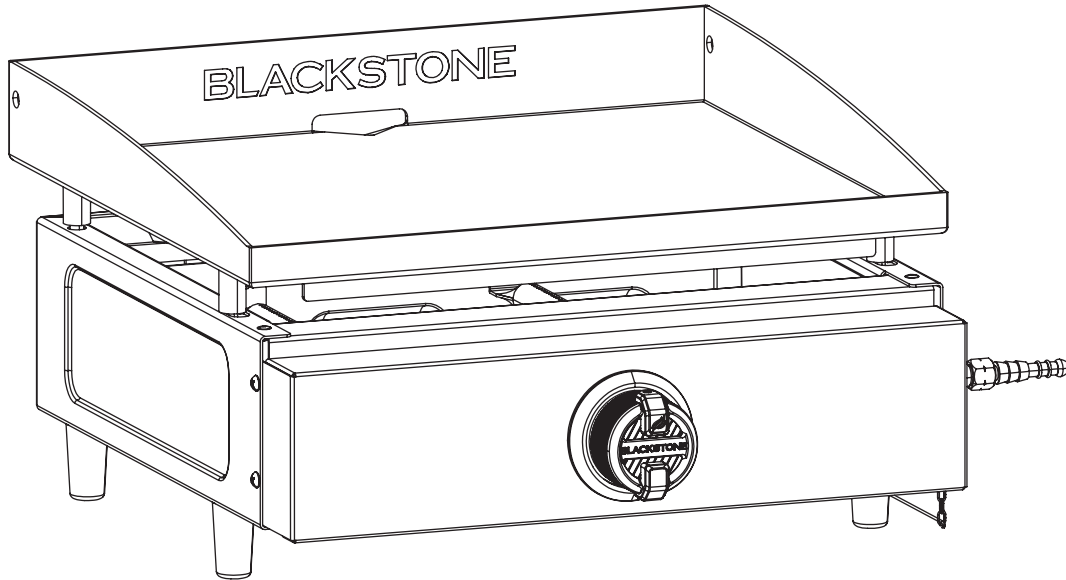


Cette page a été intentionnellement laissée vierge



Ce produit peut être couvert par un ou plusieurs brevets américains et/ou internationaux délivrés et peut inclure des demandes de brevet en instance. Pour plus d'informations, rendez-vous sur: [BlackstoneProducts.com/patents](https://BlackstoneProducts.com/patents)

FABRICANT: NORTH ATLANTIC IMPORTS, LLC 1073 W 1700 N LOGAN, UT 84321 ÉTATS-UNIS | BLACKSTONE EST UNE MARQUE DÉPOSÉE DE NORTH ATLANTIC IMPORTS, LLC  
IMPORTÉ PAR GRIDDLE MASTERS, NORDRE STRANDVEJ 119, 3150 HELLEBAEK, DENMARK



MANUAL DEL PROPIETARIO | INSTRUCCIONES DE MONTAJE PARA APARATOS DE GAS PARA EXTERIORES

# 17" PLANCHA

## TABLA DE CONTENIDO

INFORMACION DE SEGURIDAD IMPORTANTE .....	02
ATENCIÓN AL CLIENTE .....	03
GUÍA DE MONTAJE .....	04
USANDO SU BLACKSTONE .....	07
SOLUCIÓN DE PROBLEMAS .....	13

### IMPORTANTE:

Use solo al aire libre.

Lea las instrucciones antes de usar el aparato.

Conserve este manual para futuras referencias.

Si tiene alguna pregunta sobre el montaje o el funcionamiento, consulte a su distribuidor o a la empresa de gas LPG.

### CLAVE DE ALERTA DE SEGURIDAD

#### ⚠ PELIGRO

Indica una situación peligrosa que, si NO SE evita, provocará la muerte o lesiones graves.

#### ⚠ ADVERTENCIA

Indica una situación peligrosa que, si NO SE evita, podría provocar la muerte o lesiones graves.

#### ⚠ ATENCIÓN

Indica una situación peligrosa que, si NO SE evita, podría provocar lesiones leves o moderadas.

#### AVISO

Indica información que se considera importante, pero no relacionada con peligros (por ejemplo, mensajes relacionados con daños a la propiedad).

# INFORMACION DE SEGURIDAD IMPORTANTE

**POR TU SEGURIDAD**

Si huele a gas:

1. Cierre el suministro de gas en el cilindro de gas.
2. Extinguir todas las llamas desnudas; no opere ningún aparato eléctrico.
3. Ventile el área.
4. Compruebe si hay fugas como se detalla en este manual.
5. Si el olor persiste, comuníquese con su distribuidor o proveedor de gas de inmediato.

**PRECAUCIONES**

1. Haga una prueba de fugas en todas las conexiones después de cada recarga del tanque.
2. Nunca verifique si hay fugas con una llama abierta, use siempre una solución de agua jabonosa.
3. No almacene ni use gasolina u otros vapores y líquidos inflamables cerca de este aparato.
4. Cualquier cilindro de gas que no esté conectado para su uso no debe almacenarse cerca de este o cualquier otro aparato.



**SI SE IGNORAN LAS INSTRUCCIONES, SE PUEDEN PRODUCIR INCENDIOS O EXPLOSIONES PELIGROSOS.**

Es responsabilidad del consumidor asegurarse de que el electrodoméstico esté debidamente ensamblado, instalado y cuidado. El incumplimiento de las instrucciones de este manual podría provocar lesiones y/o daños a la propiedad.

<b>MODELO/TIPO NO.</b>	2142EU			<b>CE</b> 2531-23	<b>UK</b> <b>CA</b> 8504-23
<b>ENTRADA DE CALOR:</b>	1 x 3.5 kW	<b>TOTAL:</b>	3.5 kW (254.5 g/h)		
<b>CATEGORÍA DE GAS:</b>	<b>I3+(28~30/ 37)</b>		<b>I3B/P(30)</b>	<b>I3B/P(50)</b>	
<b>TIPOS DE GASES:</b>	Butano (G30)	Propano (G31)	G30, G31 o sus mezclas		G30, G31 o sus mezclas
<b>PRESION DEL GAS:</b>	(28-30) mbar	37mbar	(28-30) mbar	50 mbar	
<b>CÓDIGO PIN:</b>	<b>CE:</b> 2531DN-0117		<b>UKCA:</b> 8504D0-0003		<b>UKCA:</b> 8504D0-0003
	BE, FR, IT, LU, IE, GB, GR, PT, ES, CY, CZ, LT, CH, SI, LV, TR		LU, NL, DK, FI, SE, CY, CZ, EE, LT, MT, SK, SI, BG, IS, NO, HR, RO, IT, HU, LV, GR		DE, AT, CH, SK
<b>Use solo al aire libre.</b>					
<b>Lea las instrucciones antes de usar el aparato.</b>					
<b>⚠ ADVERTENCIA: las partes accesibles pueden estar muy calientes. Mantenga alejados a los niños pequeños.</b>					
<b>Este aparato debe mantenerse alejado de materiales inflamables durante su uso.</b>					
<b>No mueva el aparato durante su uso.</b>					
<b>Cierre el suministro de gas en el cilindro de gas después de su uso.</b>					
<b>NO MODIFIQUE el aparato.</b>					

**REQUISITOS DEL REGULADOR Y LA MANGUERA**

- Utilice únicamente reguladores y mangueras aprobados para gas LP a las presiones anteriores. La manguera utilizada debe cumplir con la norma pertinente del país de uso.
- Utilice un regulador adecuado que esté certificado según BSEN 12864 o EN 16129. Asegúrese de que el regulador y la manguera flexible cumplan con el código local.
- La longitud de la manguera flexible no debe exceder los 1,5 m. En Finlandia, la longitud no excederá de 1,2 m. La manguera debe estar certificada según la norma EN aplicable y cumplir con el código local.

Consulte a su distribuidor de GLP para obtener información sobre un regulador adecuado para el cilindro de gas.

**⚠ ADVERTENCIA**

El uso de un regulador o manguera incorrectos no es seguro; Siempre verifique que tenga los artículos correctos antes de operar el aparato.

Este aparato sólo es apto para su uso con gas butano o propano a baja presión o mezclas de GLP, equipado con el regulador de baja presión adecuado a través de un tubo flexible.

La esperanza de vida del regulador y la manguera se estima en 2 años.

ESPAÑOL



# ATENCIÓN AL CLIENTE

## CONTACTA CON NOSOTROS

Para todas las preguntas, consultas o atención al cliente, comuníquese con:

**Griddle Masters Europe ApS**

**Blackstone Europe**

**Tel. +45 2424 7709**

**Nordre Strandvej 119, 3150 Hellebæk**

**Denmark**

**[www.blackstone-europe.com](http://www.blackstone-europe.com)**

## GARANTÍA DE DOS AÑOS

North Atlantic Imports, LLC garantiza este producto contra defectos de materiales y mano de obra por un período de dos (2) años a partir de la fecha original de compra en condiciones de uso normal. En la medida en que se produzcan dichos defectos, North Atlantic Imports, LLC., a su discreción, proporcionará las piezas de repuesto adecuadas sin coste alguno.

En ningún caso North Atlantic Imports, LLC será responsable de los daños consecuentes, indirectos o incidentales que resulten de la instalación, el uso o la falla del producto.

Esta garantía NO cubre:

- Costos de inspección o mano de obra para el reemplazo de cualquier pieza defectuosa;
- Defectos cosméticos que no afectan el rendimiento o la integridad del producto;
- Uso y desgaste normal;
- Daños por vandalismo; actos de la naturaleza, incluidos, entre otros, viento, tormentas, granizo, inundaciones;
- Montaje, instalación o uso inadecuado;
- Decoloración o decoloración del acabado como resultado de la exposición a productos químicos, derrames, piscina o agua salada;
- Corrosión/óxido.

Este producto ha sido diseñado para brindar seguridad y calidad. Cualquier modificación realizada al producto original podría comprometer su integridad estructural o su función y podría provocar fallas en el producto o lesiones personales. Como tal, modificar este producto anula todas las garantías.

Este producto es SOLO PARA USO RESIDENCIAL y no para fines comerciales, contractuales ni otros fines no residenciales. North Atlantic Imports, LLC renuncia a todas las demás representaciones y garantías de cualquier tipo, expresas o implícitas.

La garantía se aplica al comprador original y no es transferible. NO SE aplica a accesorios o piezas que NO SE suministran con el producto, a compras de modelos de exhibición ni a productos que se venden en liquidación o "tal cual". Sin embargo, es posible que tenga otros derechos legales específicos según las leyes de su estado o país de residencia específico.

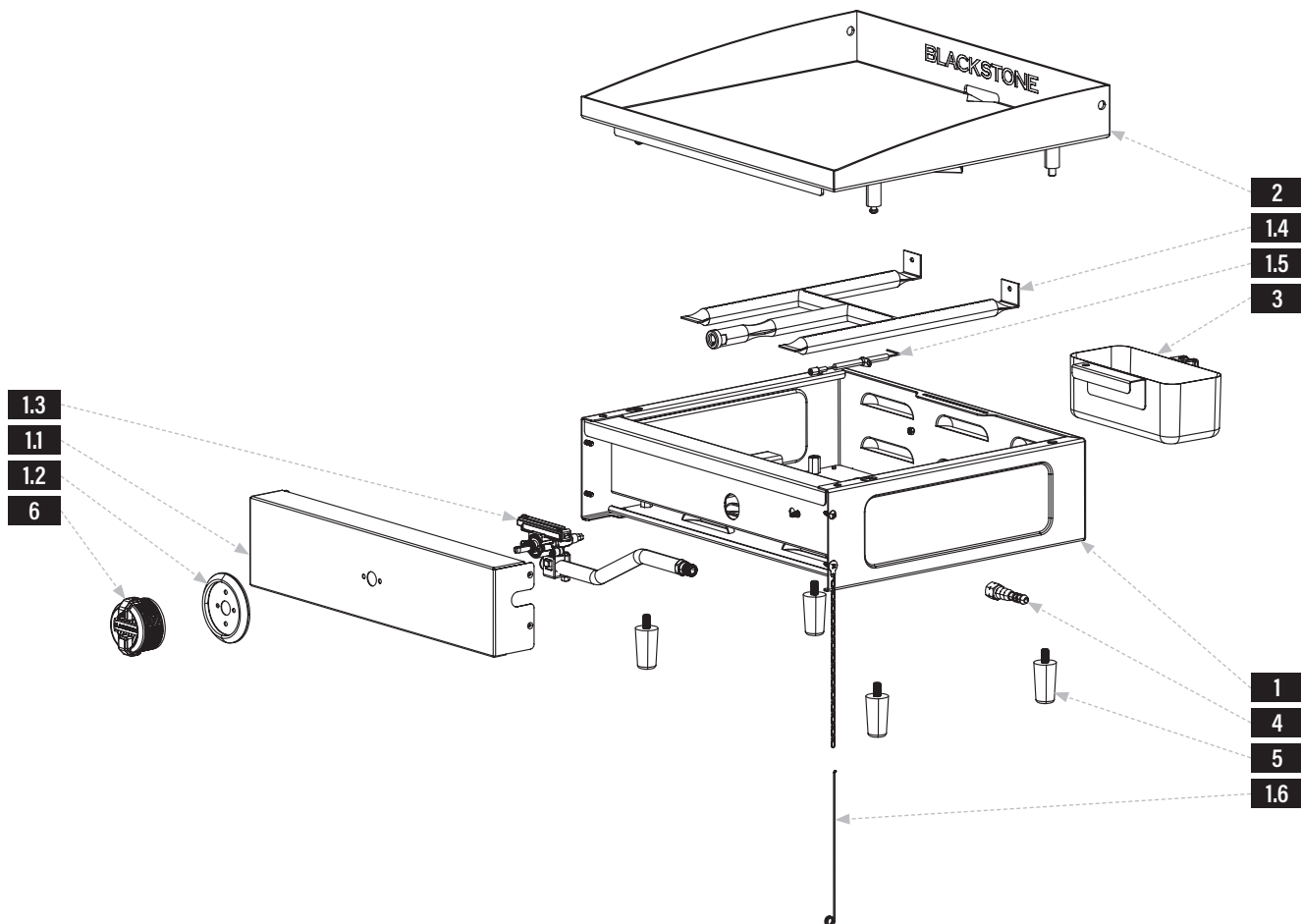
Para activar su garantía, registre su producto en

**[blackstone-europe.com/pages/product-registration](http://blackstone-europe.com/pages/product-registration)**

North Atlantic Imports, LLC se reserva el derecho de cambiar o modificar esta garantía en cualquier momento.

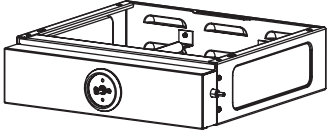
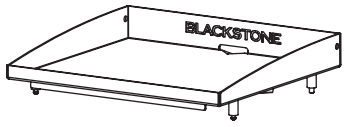
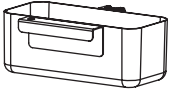
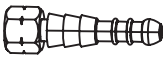


# GUÍA DE MONTAJE

## VISTA EN DESPIECE ORDENADO



### LISTA DE PARTES

PIEZAS	CTD
1.1 Panel de control	1
1.2 Bisel de la perilla de control	1
1.3 Riel de gas	1
1.4 Quemador H	1
1.5 Aguja de encendido	1
1.6 Soporte para palos de cerillas	1

<p><b>1</b> Cuerpo (1 pieza)</p> 	<p><b>2</b> Plancha superior (1 pieza)</p> 
<p><b>3</b> Copa de grasa (1 pieza)</p> 	<p><b>4</b> Espiga de manguera (1 pieza)</p> 
<p><b>5</b> Pies de plancha (4 piezas)</p> 	<p><b>6</b> Perilla de control (1 pieza)</p> 





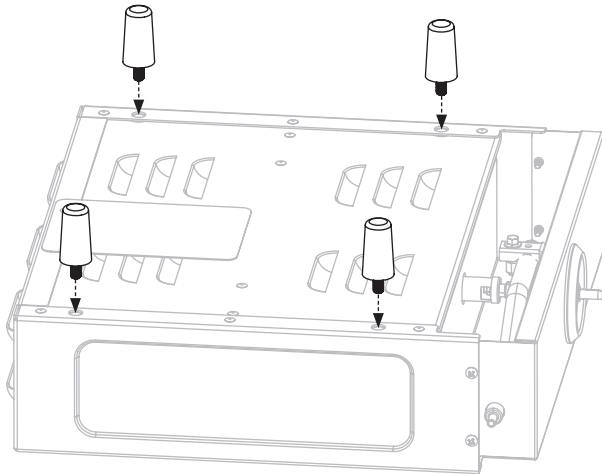
# INSTRUCCIONES DE MONTAJE

Encuentre un área grande y limpia para ensamblar su electrodoméstico.  
Retire todo el material de embalaje antes de ensamblar.

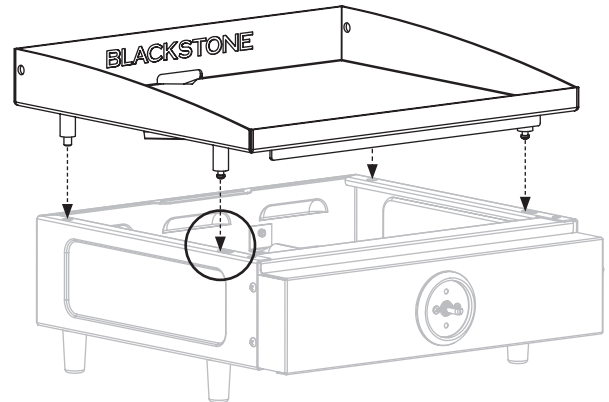
## ⚠ ATENCIÓN

Bordes afilados. Use guantes durante el montaje.

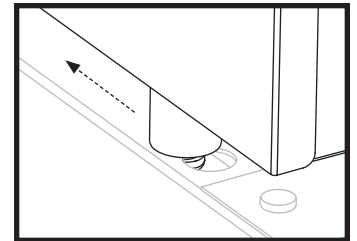
**PASO 01** Coloque el cuerpo de la plancha boca abajo sobre una superficie lisa y plana. Enrosque las cuatro (4) patas de la plancha en la parte inferior de la plancha.



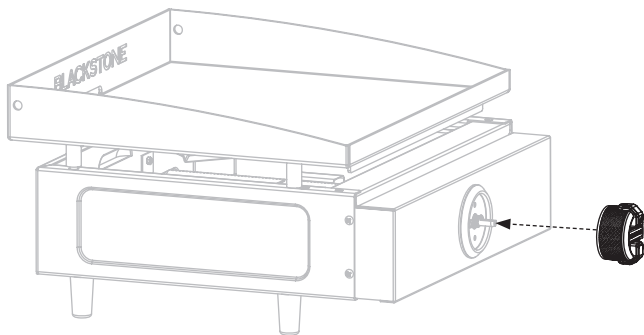
**PASO 02** Coloque la plancha sobre sus pies. Coloque la parte superior de la parrilla sobre el cuerpo de la parrilla alineando los cuatro pasadores con los orificios del cuerpo.



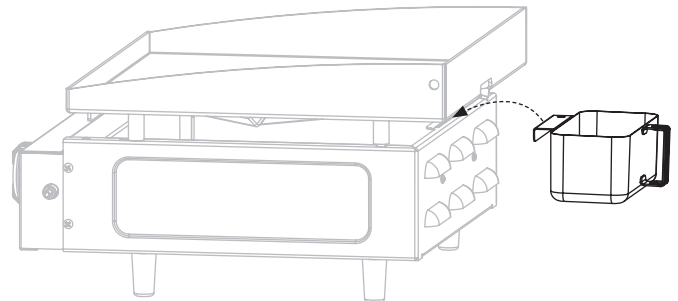
Asegúrese de que las clavijas frontales estén asentadas en los orificios y luego empuje la parte superior de la plancha hacia atrás.



**PASO 03** Instale la perilla de control empujándola en su lugar en la posición APAGADO.

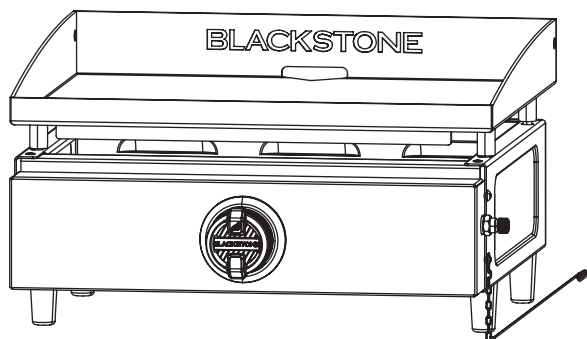


**PASO 04** Cuelgue el recipiente para grasa en la ranura en la parte posterior del cuerpo de la plancha.



ESPAÑOL

**PASO 05** Continúe con **USANDO SU BLACKSTONE.**



**AVISO**

Coloque el aparato sobre una superficie resistente al calor y a las llamas mientras esté en uso.

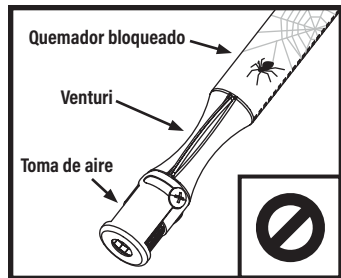


# USANDO SU BLACKSTONE

## ANTES DE COCINAR COMPROBAR QUEMADORES

Antes de la conexión y el uso, asegúrese de que no haya residuos atrapados ni daños en la cabeza del cilindro de gas, el regulador, la manguera, el quemador y los puertos del quemador.

Las arañas y los insectos pueden anidar dentro y obstruir el quemador/tubo venturi en el orificio.



**⚠ ADVERTENCIA**  
Un quemador obstruido puede provocar un incendio debajo del aparato. El quemador debe retirarse y limpiarse cada vez que se encuentren obstrucciones.



**⚠** Asegúrese de que el orificio de la boquilla de combustible del riel de gas esté correctamente enganchado dentro de la abertura del quemador.

**LA TEMPERATURA AMBIENTE MÍNIMA DE FUNCIONAMIENTO ES DE 0 °F (-18 °C).**

**⚠ PELIGRO**  
Los artículos inflamables pueden arder si se colocan cerca del aparato. Mantenga el área del electrodoméstico despejada y libre de materiales combustibles, envases de aerosol, gasolina y otros vapores y líquidos inflamables.

**⚠ ATENCIÓN**  
Si el aparato está equipado con un soporte para toallas de papel, el brazo debe estar en la posición abierta mientras el aparato está en uso.

**SI GOTEA GRASA U OTRO MATERIAL CALIENTE SOBRE LA VÁLVULA, LA MANGUERA O EL REGULADOR:**

**PASO 01** Cierre el suministro de gas inmediatamente.

**PASO 02** Determine la causa y corríjala.

**PASO 03** Limpie e inspeccione la válvula, la manguera y el regulador.

**PASO 04** Realice una prueba de fugas. (Consulte las instrucciones de prueba de fugas)

## CONFIGURACIÓN DE SU ESPACIO AL AIRE LIBRE ESTE APARATO SOLO DEBE USARSE AL AIRE LIBRE.

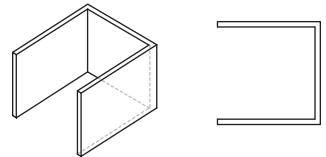
- NO USE este aparato dentro de edificios, garajes o cualquier otra área cerrada.
- NO INSTALE este aparato dentro o sobre un barco.
- NO INSTALE este aparato dentro o sobre un vehículo recreativo.

### ÁREAS AL AIRE LIBRE PROTEGIDAS:

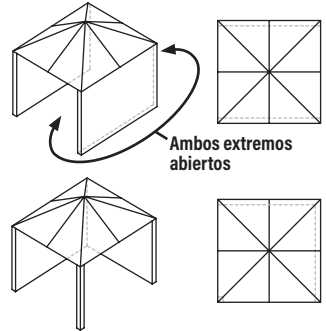
Todas las aberturas deben estar permanentemente abiertas; Las puertas correderizas, las puertas de garaje, las ventanas o las aberturas con mosquitero NO SE consideran aberturas permanentes.

Se considera que un electrodoméstico está al aire libre si se instala con una protección que no exceda de:

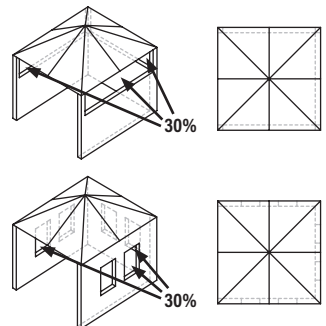
a. Con paredes en tres lados, pero sin cubierta superior.



b. Dentro de un recinto parcial que incluye una cubierta superior y no más de dos paredes laterales. Las paredes laterales pueden ser paralelas, como en un corredor, o en ángulo recto entre sí.

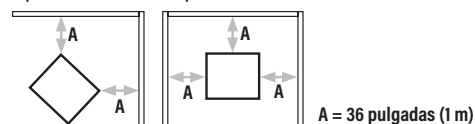


c. Dentro de un recinto parcial que incluye una cubierta superior y tres paredes laterales, siempre que el 30% o más de la periferia horizontal del recinto esté permanentemente abierta.



### MANTENGA LAS DISTANCIAS ADECUADAS DEL MATERIAL COMBUSTIBLE:

- NO USE este electrodoméstico sobre o debajo de ningún apartamento o balcón o terraza de condominio.
- No obstruya el flujo de aire de combustión y ventilación.
- NO OPERE este aparato a menos de 36 pulgadas (1 m) desde los lados y la parte trasera del aparato hasta una construcción combustible.



- NO UTILICE este aparato bajo construcciones combustibles elevadas.

ESPAÑOL

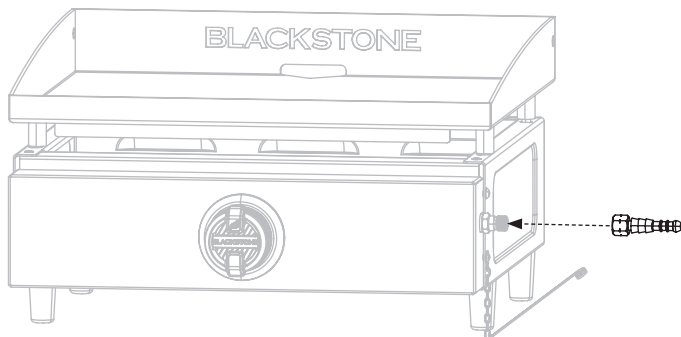
# COLOCACIÓN DEL CILINDRO DE COMBUSTIBLE

## COLOCACIÓN DEL REGULADOR

**PASO 01** El regulador y la manguera deben estar conectados correctamente al aparato. Se debe utilizar una llave para apretar la tuerca en la rosca de conexión.

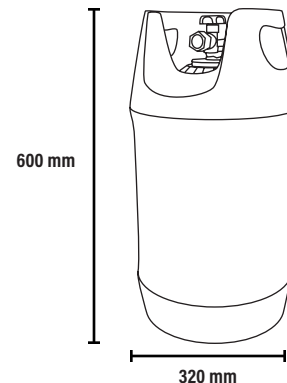
Si usa una abrazadera de combustible, conecte la lengüeta de la manguera al riel de gas.

(La lengüeta es rosca izquierda).



## REQUISITOS DEL CILINDRO DE GLP

- Su aparato puede utilizarse con bombonas de gas de entre 11 kg y 15 kg.
- El tamaño máximo del cilindro de gas debe ser: Dia. 320mm, Altura: 600 mm (regulador incluido).
- Siga la información técnica que se indica en el manual de instrucciones y consulte con su proveedor local de gas para tener un cilindro de gas adecuado para su electrodoméstico.



## SEGURIDAD DE CILINDROS DE GAS

- El cilindro de gas no debe dejarse caer ni manipularse bruscamente.
- Si el aparato no está en uso, el cilindro debe estar desconectado.
- Vuelva a colocar la tapa protectora en el cilindro después de desconectar el cilindro del aparato.
- El cilindro de gas debe colocarse fuera del cuerpo del aparato.
- Siempre conecte o reemplace el cilindro en un área bien ventilada y lejos de cualquier fuente de ignición, nunca en presencia de una llama, chispa o fuente de calor.
- Los cilindros deben almacenarse al aire libre en posición vertical y fuera del alcance de los niños. El cilindro nunca debe almacenarse donde las temperaturas puedan alcanzar más de 50°C. No almacene el cilindro cerca de llamas, luces piloto u otras fuentes de ignición. NO FUME.
- Asegúrese de que el compartimiento del cilindro de gas (si lo hay) no esté obstruido, manténgalo ventilado y limpio.
- Deberá reparar o reemplazar el cilindro cada diez años. La fecha del último servicio debe estar estampada en el cuello de la botella.
- Cuando se utilice en el suelo, coloque siempre el aparato y el cilindro sobre un suelo plano y nivelado.

**PASO 02** Si se reemplaza la manguera, debe asegurarse al aparato y a las conexiones del regulador con abrazaderas para manguera.

### EVITE TORCER EL TUBO FLEXIBLE CUANDO EL APARATO ESTÉ EN USO.

- Asegúrese de que la manguera no esté obstruida, doblada o en contacto con cualquier parte del aparato que no sea su conexión.
- La manguera desgastada o dañada debe ser reemplazada.
- Revise la junta tórica de goma en el extremo del regulador del conjunto de la manguera al menos una vez al año. Si parece desgastado o agrietado, reemplácelo.
- Desconecte el regulador del cilindro (según las instrucciones provistas con el regulador) cuando el aparato no esté en uso.

## INSTRUCCIONES DE PRUEBA DE FUGAS

**PASO 01** Prepare de 2 a 3 onzas líquidas de solución de detección de fugas mezclando una parte de detergente líquido con 3 partes de agua.

**PASO 02** Cierre el suministro de gas en la válvula del cilindro de gas.

**PASO 03** Asegúrese de que la válvula de control esté "APAGADA".

**PASO 04** Conecte el regulador al cilindro y la válvula ON/OFF al quemador, asegúrese de que las conexiones estén seguras y luego abra el gas.

**PASO 05** Cepille el agua jabonosa sobre la manguera y todas las juntas. Si aparecen burbujas, tiene una fuga, que debe corregirse antes de su uso. Vuelva a probar después de corregir la falla.

**PASO 06** Cierre el suministro de gas en el contenedor de gas después de su uso.

Si se detecta una fuga nuevamente y NO SE puede rectificar, NO INTENTE curar la fuga; consulte a su distribuidor de gas.



# INSTRUCCIONES DE ENCENDIDO

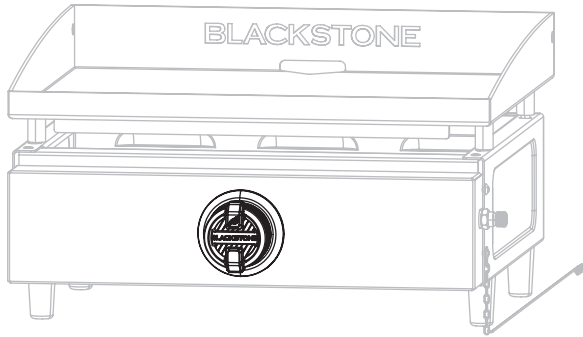
## 1. VÁLVULAS DE RETENCIÓN

⚠ Asegúrese de que el gas esté cerrado en la válvula de cierre del suministro antes de revisar las válvulas del aparato.

**PASO 01** Gire todas las perillas a la posición ❶ de apagado.

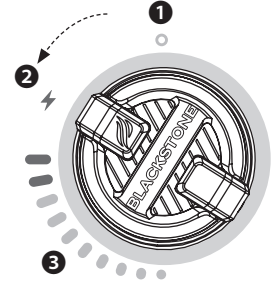
**PASO 02** Empuje la perilla y suelte. La perilla debe retroceder. Si las perillas no retroceden, reemplace el ensamblaje de la válvula antes de usar el aparato.

**PASO 03** Gire la perilla a BAJO y luego vuelva a APAGADO. La perilla debe girar suavemente.



## 2. ENCENDIDO PIEZOELECTRICO DE LA PLANCHA

⚠ NO SE incline sobre el aparato mientras lo enciende.



### PASO 01

Abra el gas girando el volante del cilindro de gas en sentido antihorario de 1 a 3 vueltas.

### PASO 02

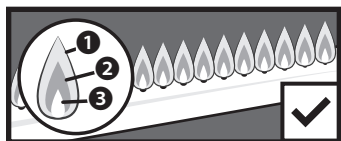
- ❶ Presione la perilla de control para que comience a fluir el gas.
- ❷ Gire la perilla de control en sentido antihorario para activar el motor de arranque.
- ❸ Ajuste la temperatura al nivel deseado.

## 3. SIEMPRE REVISE LA LLAMA DEL QUEMADOR ANTES DE USARLO.

**PASO 01** Encienda los quemadores y gire las perillas de ALTO a BAJO.

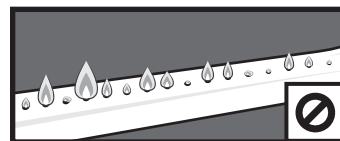
**PASO 02** Mire debajo de la superficie de cocción para ver los quemadores. Cuando la perilla está en ALTO, las llamas deben ser más grandes que cuando la perilla está en BAJA.

### PATRÓN DE LLAMA SALUDABLE



- ❶ Parpadeos de color amarillo.
- ❷ Color azul oscuro. ❸ Azul vibrante.

### AMARILLO O IRREGULAR



Si hay una caída repentina o un problema de llama baja, consulte el capítulo Solución de problemas.

### ⚠ ADVERTENCIA

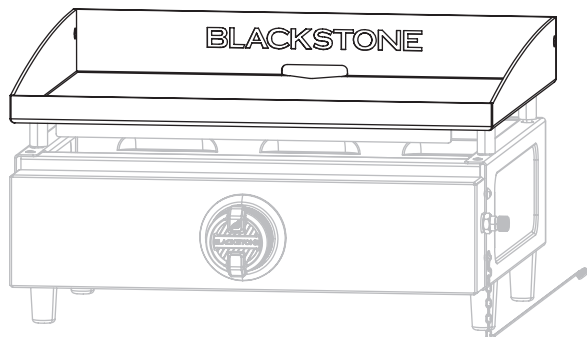
Si el quemador NO SE enciende con la válvula de suministro de gas abierta, el gas seguirá saliendo del quemador y podría encenderse accidental o inadvertidamente con riesgo de lesiones.

**Si el encendido no ocurre en 5 segundos:**

1. Apague la perilla de control del quemador.
2. Espera 5 minutos.
3. Repita el procedimiento de iluminación.

Si el quemador NO SE enciende, consulte el capítulo Solución de problemas.

# INSTRUCCIONES PARA SAZONAR LA PLANCHA



**AVISO**

No guarde ningún artículo a menos de 8 cm (3 pulgadas) de la parte superior de la plancha mientras esté en uso.

### ¿QUÉ ACEITE ES MEJOR USAR?

- Blackstone Seasoning and Cast Iron Conditioner.
- Cualquier aceite de cocina de origen vegetal.
- Grasa animal fundida sin aditivos.



## LAVADO DE LA PARTE SUPERIOR DE LA PLANCHA ANTES DEL PRIMER USO

### AVISO

El jabón arruinará una plancha experimentada. Esta es la única vez que debe usar jabón en la superficie de cocción de la plancha.

**PASO 01** Lave la superficie de cocción de la plancha con agua caliente y jabón.

**PASO 02** Enjuague y seque completamente.

### ⚠ ATENCIÓN

Deseche adecuadamente los trapos/toallas utilizados para esparcir el aceite sobre la plancha para evitar incendios que puedan ocurrir debido a la combustión espontánea.

En las condiciones adecuadas, el aceite residual en trapos o toallas puede oxidarse mucho después de haber sido retirado de una fuente de calor. El proceso de oxidación en sí produce calor que, si NO SE disipa, puede acumularse y causar que los trapos/toallas y el material circundante se enciendan.

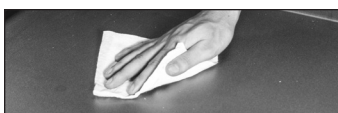
## CONDIMENTAR TU PLANCHA



### VIDEOTUTORIAL

Cómo sazonar una nueva plancha Blackstone  
 ▶ [youtube.com/watch?v=VspmDVnj2pl&t=3s](https://www.youtube.com/watch?v=VspmDVnj2pl&t=3s)

**PASO 01** Limpie cualquier residuo de la parte superior de la plancha.



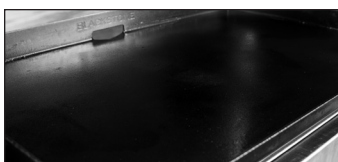
**PASO 02** Configura tu plancha a fuego alto hasta que la parte superior de la plancha cambie de color. (~10 minutos)



**PASO 03** Use pinzas para sostener una toalla de papel o un paño de algodón y extienda 2-3 cucharadas de su aceite de condimento en toda la parte superior de la plancha. Cuando sazone la parte superior de su plancha, recuerde usar una capa delgada y uniforme de aceite: cuanto más delgada sea la capa de aceite, más fácil será quemarla.



**PASO 04** La parte superior de la plancha está lista para otra capa de aceite cuando deja de humear. Repita el PASO 03 3-4 veces, o hasta que la superficie de la plancha esté negra.



## SOLUCIÓN DE PROBLEMAS DE CONDIMENTOS HAY UN RESIDUO MARRÓN EN LA SUPERFICIE DE LA PLANCHA:

### POSIBLES CAUSAS

- Se usó demasiado aceite.
- Apagaste la calefacción demasiado pronto.

### SOLUCIÓN

**PASO 01** Encienda su plancha a temperatura alta y déjala calentar durante 10-15 minutos.

**PASO 02** Raspe la mayor cantidad de aceite espesado y parcialmente cocido que pueda.

**PASO 03** Vuelva a sazonar con una capa muy fina de aceite.

## LOS BORDES DE LA SUPERFICIE DE LA PLANCHA NO SON NEGROS:

Después de usar su plancha para cocinar varias veces, el condimento se nivelará y mejorará.

## PREVENCIÓN DEL ÓXIDO

Use su plancha con frecuencia. Cada vez que cocina, está agregando condimentos, lo que hace que la oxidación sea menos probable.

### AVISO

Si vive en un clima húmedo o costero, su plancha puede requerir curaciones más frecuentes entre usos.

Si aparece óxido en la superficie de la plancha, frótelo con lana de acero, papel de lija de grano bajo o **Blackstone Pumice Stone** y vuelva a secar la superficie.



### VIDEOTUTORIAL

Recuperación de la tapa de su plancha Blackstone  
 ▶ [youtube.com/watch?v=thPE2IgnSil](https://www.youtube.com/watch?v=thPE2IgnSil)





# COCINAR EN TU BLACKSTONE

## ⚠ ATENCIÓN

Este aparato estará caliente durante y después de su uso. Utilice utensilios de mango largo y guantes de cocina/guantes protectores cuando manipule piezas potencialmente calientes, incluidas las manijas cercanas al cuerpo del aparato, para protegerse contra quemaduras y salpicaduras.

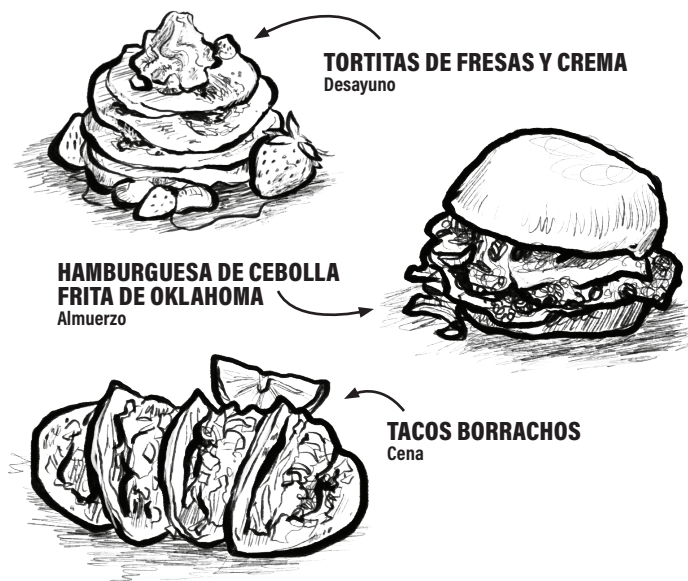
## VÍDEO RECETAS

Encuentre recetas y consejos de cocina en:

[BlackstoneProducts.com/recipes](https://BlackstoneProducts.com/recipes)

[youtube.com/BlackstoneGriddles](https://youtube.com/BlackstoneGriddles)

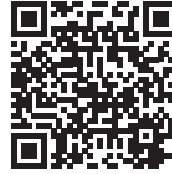
@blackstoneproducts



## LIMPIEZA DE LA PARTE SUPERIOR DE SU PLANCHA

Limpie la parte superior de la plancha después de cada uso, mientras aún esté caliente.

• NO USE jabón en la parte superior de la plancha. Esto destruirá el condimento de la plancha.

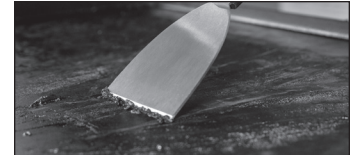


### VIDEOTUTORIAL

HCómo limpiar su plancha Blackstone

[youtube.com/watch?v=-ledu9z6NPY](https://youtube.com/watch?v=-ledu9z6NPY)

**PASO 01** Empuje los restos de comida sueltos en el recipiente para la grasa con una espátula o un raspador de metal recto.



**PASO 02** Limpie la parte superior de la plancha con una toalla de papel.



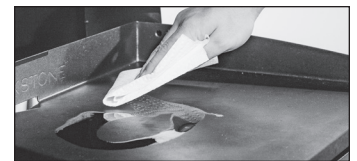
**PASO 03** Aplique unas cuantas cucharadas de agua a la superficie de la plancha, luego raspe el agua y los residuos en el recipiente para la grasa. (Para los residuos de comida pegados, use un poco de sal gruesa).



**PASO 04** Limpie nuevamente con una toalla de papel y seque completamente.



**PASO 05** Aplique una fina capa de aceite de cocina para mantener la sazón y proteger la parte superior de la plancha.



## VACÍA TU VASO DE GRASA

El recipiente para la grasa debe retirarse y vaciarse después de cada uso.

## ⚠ ATENCIÓN

La taza de grasa estará caliente durante y después del uso. NO RETIRE la taza de grasa hasta que la plancha se haya enfriado por completo.

## CUIDADO Y MANTENIMIENTO

### ⚠️ ADVERTENCIA

La acumulación de grasa puede provocar un incendio. Limpie cualquier parte del aparato que se caliente y experimente acumulación de grasa después de cada uso.

### ⚠️ ATENCIÓN

Toda la limpieza y el mantenimiento deben llevarse a cabo cuando el aparato esté frío y todo esté APAGADO.

- NO USE una almohadilla abrasiva en áreas con gráficos.
- Si se usa un cepillo de cerdas para limpiar cualquiera de las superficies de cocción, asegúrese de que no queden cerdas sueltas en las superficies de cocción antes de cocinar.

### CUERPO DEL APARATO:

Lave con agua jabonosa tibia y seque inmediatamente con un paño no abrasivo. (No permita que los agentes de limpieza descansen sobre ninguna superficie porosa durante un período de tiempo prolongado).

### AVISO

NO UTILICE Citrisol, limpiadores abrasivos o un limpiador concentrado en el aparato. Esto puede resultar en daños y fallas en las piezas.

## ALMACENAMIENTO DE ELECTRODOMÉSTICOS

### ⚠️ ADVERTENCIA

No mueva el aparato cuando esté en uso. Deje que el aparato se enfríe a 115°F (45°C) antes de moverlo o almacenarlo.

El almacenamiento de un electrodoméstico en el interior solo está permitido si el suministro de gas está desconectado y retirado del electrodoméstico.

### GUÍA DE AJUSTE DE LA CUBIERTA

Siempre cubra su electrodoméstico cuando lo guarde al aire libre.



Para encontrar una cubierta que se ajuste a su electrodoméstico, visite [BlackstoneProducts.com/support](https://BlackstoneProducts.com/support).

## LIMPIEZA DEL CONJUNTO DEL QUEMADOR

Para reducir la posibilidad de "retroceso de llama", se debe seguir el procedimiento a continuación al menos una vez al mes cuando las arañas están más activas o cuando su electrodoméstico NO SE ha utilizado durante un período de tiempo.



### VIDEOTUTORIAL

Cómo limpiar el tubo de su quemador  
 ▶ [youtube.com/watch?v=xKQTCrFCzf8](https://youtube.com/watch?v=xKQTCrFCzf8)

**PASO 01** Separe el conjunto del regulador del cilindro de GLP girando la tuerca de acoplamiento rápido en el sentido de las agujas del reloj.

- Retire la parte superior de la plancha.
- Retire el quemador tirando del clip del quemador. Utilice un destornillador o unos alicates de punta fina.

**PASO 02** Levante con cuidado el quemador y sepárelo del orificio de la válvula de gas.

**PASO 03** Limpiar el interior del quemador:

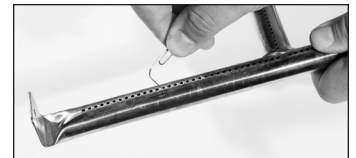
- Pase un cepillo para botellas (no un cepillo de alambre) o un alambre rígido doblado en un pequeño gancho a través de cada tubo del quemador varias veces.
- Use aire comprimido para soplar a través del tubo del quemador y sacar los puertos del quemador (Use protección para los ojos).



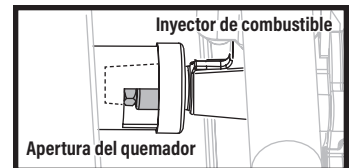
**PASO 04** Cepille toda la superficie exterior del quemador para eliminar la suciedad.



**PASO 05** Limpie los puertos bloqueados con un alambre rígido, como un sujetapapeles abierto.



**PASO 06** Vuelva a colocar con cuidado los quemadores y vuelva a colocarlos, prestando atención a la ubicación de la aguja de encendido.



⚠️ La boquilla de combustible del riel de gas debe volver a conectarse dentro de la abertura del quemador.





# SOLUCIÓN DE PROBLEMAS

## SOLUCIÓN DE PROBLEMAS DE ENCENDIDO

### EL QUEMADOR NO SE ENCIENDE:

Si NO SE enciende en 5 segundos:

**PASO 01** Apague la perilla de control del quemador.

**PASO 02** Espere 5 minutos.

**PASO 03** Repita el procedimiento de encendido.

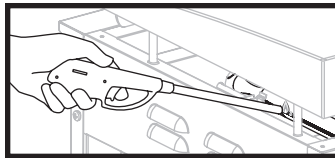
Si esto no funciona, para determinar la causa, intente encender su aparato con una cerilla.

### INSTRUCCIONES PARA ENCENDER FÓSFOROS

Antes de comenzar, compruebe si hay fugas de gas. Abra el capó (si corresponde).

**PASO 01** Gire la perilla de control a la posición APAGADO.

**PASO 02** Encienda un fósforo (o un encendedor largo) de no menos de 11 pulgadas de largo.



**PASO 03** Coloque la llama en el lado derecho o izquierdo del quemador.

**PASO 04** Presione y gire la perilla de control para que empiece a fluir el gas. Asegúrese de que el quemador se encienda y permanezca encendido.

### SI PUEDE ENCENDER SU ELECTRODOMÉSTICO CON UN FÓSFORO:

POSIBLES CAUSAS	SOLUCIÓN
Cable de encendido desalineado.	Asegúrese de que la aguja del encendedor esté colocada a 3-7 mm (1/8-1/4 pulgada) del quemador y alineada con los orificios del quemador.
Daños en el sistema de encendido.	Póngase en contacto con el servicio de atención al cliente para obtener piezas de repuesto.

## SOLUCIÓN DE PROBLEMAS DE FLUJO DE GAS

### EL APARATO NO ALCANZA UNA TEMPERATURA ALTA O CALIENTA DE MANERA DESIGUAL:

- Las llamas del quemador son amarillas o irregulares.
- Las llamas del quemador comienzan con fuerza, luego bajan inmediatamente a nivel bajo incluso cuando el quemador está en la posición alta.
- La altura de la llama desciende cuando se enciende un segundo quemador.
- Las llamas NO SE extienden por toda la longitud del quemador, o solo corren por un lado del quemador.
- Las llamas del quemador son inconsistentes.

POSIBLES CAUSAS	SOLUCIÓN
Obstrucciones en el quemador, chorros de gas o riel de combustible.	Limpie el quemador, los surtidores y la manguera de gas.
El cilindro de gas está vacío o bajo.	Rellene o reemplace el cilindro de gas.

POSIBLES CAUSAS	SOLUCIÓN
Algo está bloqueando el venturi en el tubo del quemador.	Limpie el conjunto del quemador para eliminar la obstrucción.



- Una llama sale de la puerta de aire.

### SI NO PUEDE ENCENDER SU APARATO CON UN FÓSFORO:

POSIBLES CAUSAS	SOLUCIÓN
Los tubos de los quemadores no reciben combustible.	Limpie el conjunto del quemador para eliminar la obstrucción.

Esta página se dejó en blanco intencionalmente

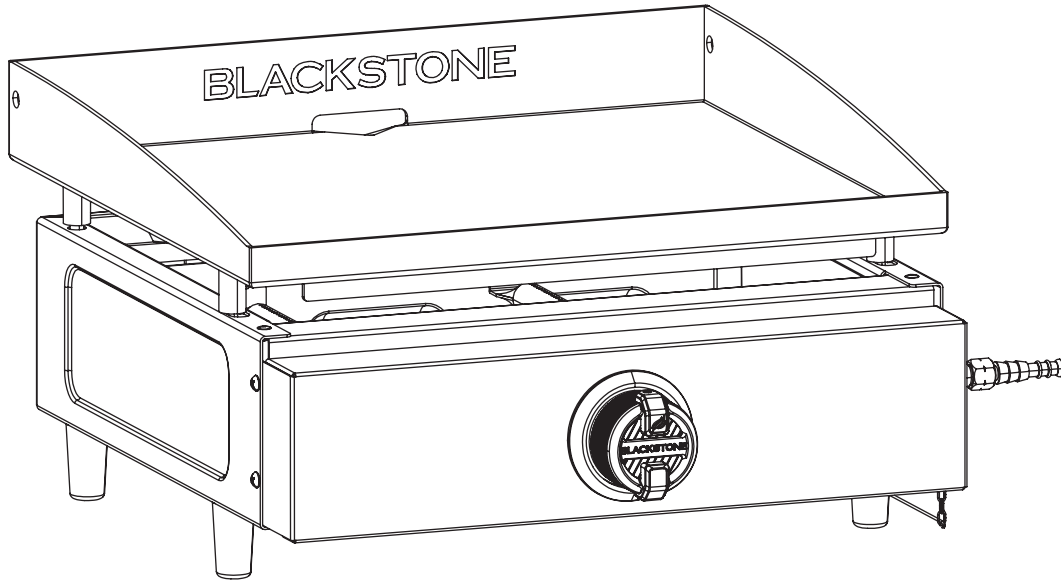


Esta página se dejó en blanco intencionalmente



Este producto puede estar cubierto por una o más patentes estadounidenses y/o internacionales emitidas y puede incluir solicitudes de patentes pendientes.  
Para obtener más información, visite: [BlackstoneProducts.com/patents](https://BlackstoneProducts.com/patents)

FABRICANTE: NORTH ATLANTIC IMPORTS, LLC 1073 W 1700 N LOGAN, UT 84321 EE. UU. | BLACKSTONE EST ES UNA MARCA REGISTRADA DE NORTH ATLANTIC IMPORTS, LLC  
IMPORTADO POR GRIDDLE MASTERS, NORDRE STRANDVEJ 119, 3150 HELLEBAEK, DENMARK



MANUALE DEL PROPRIETARIO | ISTRUZIONI DI MONTAGGIO PER APPARECCHIO A GAS DA ESTERNO

# 17" PIASTRA

ITALIANO

## SOMMARIO

IMPORTANTI INFORMAZIONI SULLA SICUREZZA .....	02
SERVIZIO CLIENTI .....	03
GUIDA AL MONTAGGIO .....	04
USANDO LA TUA BLACKSTONE.....	07
RISOLUZIONE DEI PROBLEMI .....	13

### IMPORTANTE:

Utilizzare solo all'aperto.

Leggere le istruzioni prima di utilizzare l'apparecchio.

Conservare questo manuale per future consultazioni.

In caso di domande relative al montaggio o al funzionamento, consultare il proprio rivenditore o la GPL Gas Company.

### CHIAVE DI AVVISO DI SICUREZZA

#### ⚠ PERICOLO

Indica una situazione pericolosa che, se non evitata, provocherà morte o lesioni gravi.

#### ⚠ AVVERTENZA

Indica una situazione pericolosa che, se non evitata, potrebbe provocare morte o lesioni gravi.

#### ⚠ ATTENZIONE


Indica una situazione pericolosa che, se non evitata, potrebbe causare lesioni lievi o moderate.

#### AVVISO

Indica informazioni considerate importanti, ma non correlate a pericoli (ad es. messaggi relativi a danni materiali).

# IMPORTANTI INFORMAZIONI SULLA SICUREZZA

PER LA TUA SICUREZZA	PRECAUZIONI
<p>Se senti odore di gas:</p> <ol style="list-style-type: none"> <li>1. Chiudere l'alimentazione del gas alla bombola del gas.</li> <li>2. Estinguere tutte le fiamme libere; non azionare apparecchi elettrici.</li> <li>3. Ventilare l'area.</li> <li>4. Verificare la presenza di perdite come descritto in questo manuale.</li> <li>5. Se l'odore persiste, contattare immediatamente il proprio rivenditore o fornitore di gas.</li> </ol>	<ol style="list-style-type: none"> <li>1. Verificare la tenuta di tutte le connessioni dopo ogni ricarica del serbatoio.</li> <li>2. Non controllare mai eventuali perdite con una fiamma libera, utilizzare sempre una soluzione di acqua saponata.</li> <li>3. Non conservare o utilizzare benzina o altri vapori e liquidi infiammabili nelle vicinanze di questo apparecchio.</li> <li>4. Qualsiasi bombola di gas non collegata per l'uso non deve essere conservata in prossimità di questo o di qualsiasi altro apparecchio.</li> </ol>



**SE LE ISTRUZIONI VENGONO IGNORATE, POSSONO PROVOCARSI PERICOLOSI INCENDI O ESPLOSIONI.**

È responsabilità del consumatore assicurarsi che l'apparecchio sia correttamente assemblato, installato e curato. La mancata osservanza delle istruzioni contenute nel presente manuale potrebbe causare lesioni e/o danni materiali.

<b>MODELLO/TIPO N.</b>	2142EU			<b>CE</b> 2531-23	<b>UK</b> <b>CA</b> 8504-23
<b>APPORTO TERMICO:</b>	1 x 3.5 kW	<b>TOTALE:</b>	3.5 kW (254.5 g/h)		
<b>CATEGORIA GAS:</b>	<b>I3+(28~30/ 37)</b>		<b>I3B/P(30)</b>	<b>I3B/P(50)</b>	
<b>TIPI DI GAS:</b>	Butano (G30)	Propano (G31)	G30, G31 o loro miscele		G30, G31 o loro miscele
<b>PRESSIONE DEL GAS:</b>	(28-30) mbar	37mbar	(28-30) mbar		50 mbar
<b>CODICE PIN:</b>	<b>CE:</b> 2531DN-0117		<b>UKCA:</b> 8504DO-0003		<b>UKCA:</b> 8504DO-0003
	BE, FR, IT, LU, IE, GB, GR, PT, ES, CY, CZ, LT, CH, SI, LV, TR		LU, NL, DK, FI, SE, CY, CZ, EE, LT, MT, SK, SI, BG, IS, NO, HR, RO, IT, HU, LV, GR		DE, AT, CH, SK
<b>Utilizzare solo all'aperto.</b>					
<b>Leggere le istruzioni prima di utilizzare l'apparecchio.</b>					
<b>⚠ AVVERTENZA: le parti accessibili possono essere molto calde. Tenere lontani i bambini piccoli.</b>					
<b>Questo apparecchio deve essere tenuto lontano da materiali infiammabili durante l'uso.</b>					
<b>Non spostare l'apparecchio durante l'uso.</b>					
<b>Spegnere l'alimentazione del gas alla bombola del gas dopo l'uso.</b>					
<b>Non modificare l'apparecchio.</b>					

## REQUISITI DEL REGOLATORE E DEL TUBO FLESSIBILE

- Utilizzare solo erogatori e tubi flessibili approvati per GPL alle pressioni sopra indicate. Il tubo utilizzato deve essere conforme allo standard pertinente per il paese di utilizzo.
- Utilizzare un regolatore adatto certificato BSEN 12864 o EN 16129. Assicurarsi che il regolatore e il tubo flessibile siano conformi alla normativa locale.
- La lunghezza del tubo flessibile non deve superare 1,5 m. In Finlandia, la lunghezza non deve superare 1,2 m. Il tubo deve essere certificato secondo lo standard EN applicabile e conforme al codice locale.

Si prega di consultare il proprio rivenditore di GPL per informazioni su un regolatore adatto per la bombola del gas.

## ⚠ AVVERTENZA

L'uso del regolatore o del tubo sbagliato non è sicuro; controllare sempre di avere gli articoli corretti prima di utilizzare l'apparecchio.

Questo apparecchio è idoneo esclusivamente all'utilizzo con miscele di gas butano o propano o GPL a bassa pressione, muniti di apposito regolatore di bassa pressione tramite tubo flessibile.

L'aspettativa di vita del regolatore e del tubo flessibile è stimata in 2 anni.



# SERVIZIO CLIENTI

## CONTATTACI

Per tutte le domande, richieste o assistenza clienti, contattare:

**Griddle Masters Europe ApS**

**Blackstone Europe**

**Tel. +45 2424 7709**

**Nordre Strandvej 119, 3150 Hellebæk**

**Denmark**

**[www.blackstone-europe.com](http://www.blackstone-europe.com)**

## GARANZIA DI DUE ANNI

North Atlantic Imports, LLC garantisce questo prodotto contro difetti nei materiali e nella lavorazione per un periodo di due (2) anni dalla data di acquisto originale in condizioni di utilizzo normale. Nella misura in cui si verificano tali difetti, North Atlantic Imports, LLC, a sua discrezione, fornirà gratuitamente le parti di ricambio appropriate.

In nessun caso North Atlantic Imports, LLC sarà responsabile per danni consequenziali, indiretti o incidentali derivanti dall'installazione, dall'uso o dal guasto del prodotto.

Questa garanzia NON copre:

- Costi di ispezione o manodopera per la sostituzione di eventuali parti difettose;
- Difetti estetici che non influiscono sulle prestazioni o sull'integrità del prodotto;
- Usura normale;
- Danni dovuti ad atti vandalici; atti naturali, inclusi ma non limitati a vento, tempeste, grandine, inondazioni;
- Assemblaggio, installazione o uso improprio;
- Scolorimento o scolorimento della finitura a causa dell'esposizione a sostanze chimiche, sversamenti, piscina o acqua salata;
- Corrosione/ruggine.

Questo prodotto è stato progettato per garantire sicurezza e qualità. Qualsiasi modifica apportata al prodotto originale potrebbe comprometterne l'integrità strutturale o il funzionamento e potrebbe causare guasti al prodotto o lesioni personali. Pertanto, la modifica di questo prodotto invalida tutte le garanzie.

Questo prodotto è SOLO PER USO RESIDENZIALE e non è destinato a scopi commerciali, contrattuali o altri scopi non residenziali. North Atlantic Imports, LLC declina ogni altra dichiarazione e garanzia di qualsiasi tipo, espressa o implicita.

La garanzia si applica all'acquirente originale e non è trasferibile. Non si applica ad accessori o parti non forniti con il prodotto, all'acquisto di modelli da esposizione o al prodotto venduto in saldo o "così com'è". Potresti, tuttavia, avere altri diritti legali specifici basati sulle leggi del tuo specifico stato o paese di residenza.

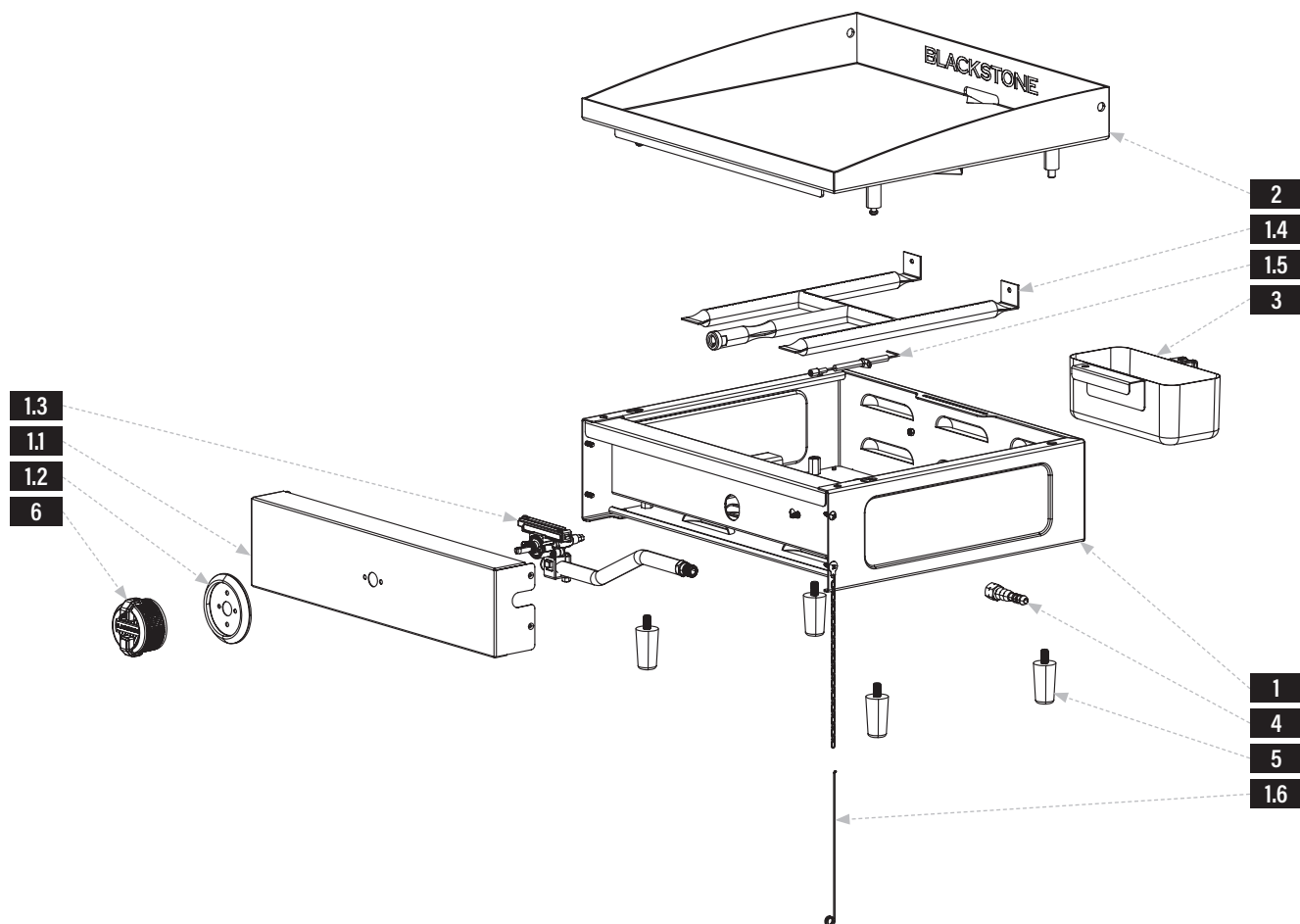
Per attivare la garanzia, registra il tuo prodotto su

**[blackstone-europe.com/pages/product-registration](http://blackstone-europe.com/pages/product-registration)**

North Atlantic Imports, LLC si riserva il diritto di cambiare o modificare questa garanzia in qualsiasi momento.

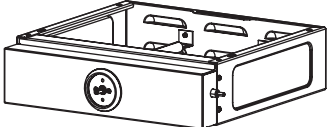
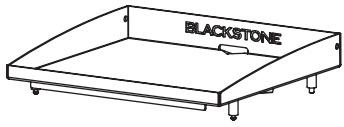
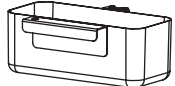
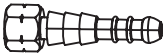


# GUIDA AL MONTAGGIO

## VISTA ESPLOSA



## ELENCO DELLE PARTI

PARTI	#
1.1 Pannello di controllo	1
1.2 Cornice della manopola di controllo	1
1.3 Ferrovia del gas	1
1.4 Bruciatore H	1
1.5 Ago di accensione	1
1.6 Fiammifero porta bastoncini	1

<p><b>1</b> Corpo (1 pezzo)</p> 	<p><b>2</b> Piastra superiore (1 pezzo)</p> 
<p><b>3</b> Coppa del grasso (1 pezzo)</p> 	<p><b>4</b> Portagomma (1 pezzo)</p> 
<p><b>5</b> Piedi per piastra (4 pezzi)</p> 	<p><b>6</b> Manopola di controllo (1 pezzo)</p> 





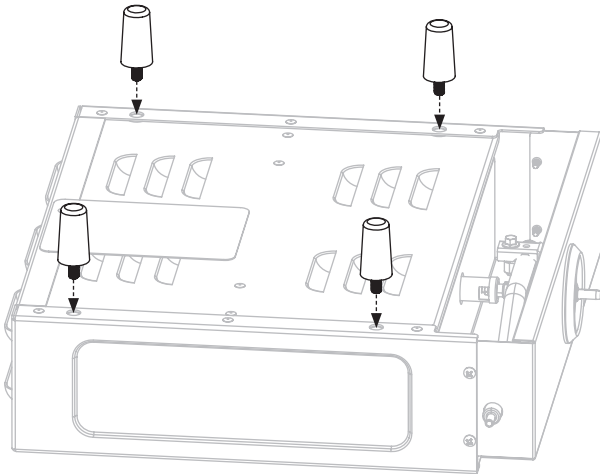
## ISTRUZIONI DI MONTAGGIO

Trova un'area ampia e pulita per assemblare il tuo elettrodomestico.  
Rimuovere tutto il materiale di imballaggio prima del montaggio.

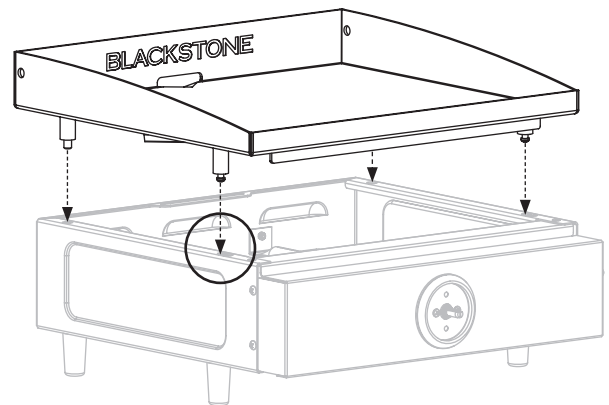
### ⚠ ATTENZIONE

Bordi taglienti. Indossare guanti durante il montaggio.

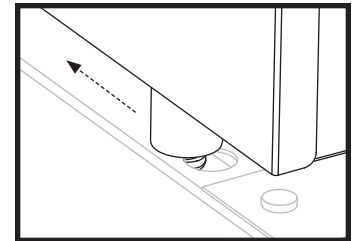
**PASSO 01** Posizionare il corpo della piastra capovolto su una superficie piana e liscia. Infilare i quattro (4) piedini della piastra nella parte inferiore della piastra.



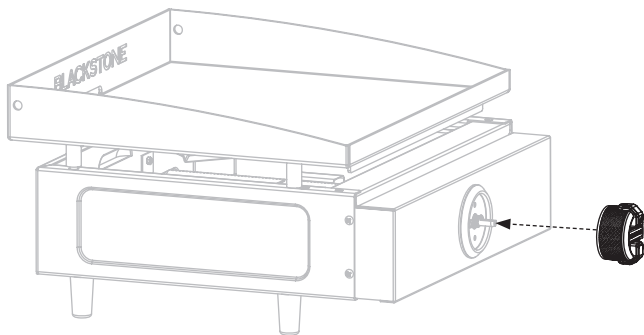
**PASSO 02** Appoggia la piastra sui suoi piedi. Posizionare la parte superiore della piastra sul corpo della piastra allineando i quattro perni ai fori del corpo.



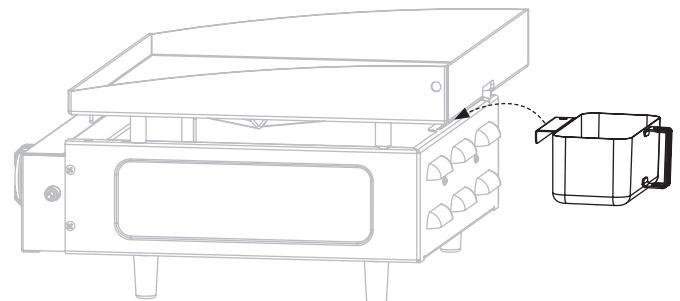
Assicurarsi che i perni anteriori siano inseriti nei fori, quindi spingere indietro la parte superiore della piastra.



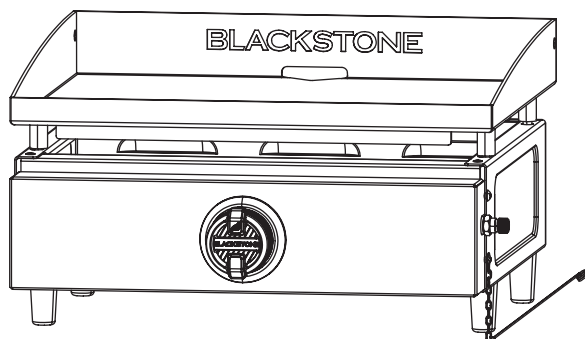
**PASSO 03** Installare la manopola di controllo spingendola in posizione nella posizione OFF.



**PASSO 04** Appendere la coppa del grasso nella fessura sul retro del corpo della piastra.



**PASSO 05** Procedi con **USANDO LA TUA BLACKSTONE.**



**AVVISO**

Posizionare l'apparecchio su una superficie resistente al calore e alla fiamma durante l'uso.



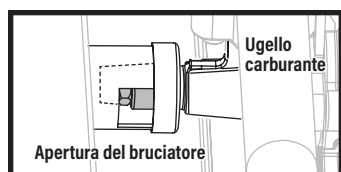
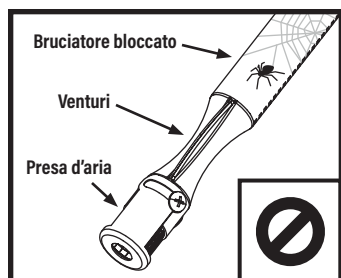
# USANDO LA TUA BLACKSTONE

## PRIMA DELLA COTTURA

### CONTROLLARE I BRUCIATORI

Prima del collegamento e dell'uso, assicurarsi che non vi siano detriti intrappolati o danni alla testa della bombola del gas, al regolatore, al tubo flessibile, al bruciatore e alle porte del bruciatore.

Ragni e insetti possono annidarsi all'interno e ostruire il bruciatore/tubo Venturi all'orifizio.



### ⚠ AVVERTENZA

Un bruciatore intasato può provocare un incendio sotto l'apparecchio. Il bruciatore deve essere rimosso e pulito ogni volta che si riscontrano blocchi.

⚠ Accertarsi che l'orifizio dell'ugello del combustibile della rotaia del gas sia inserito correttamente all'interno dell'apertura del bruciatore.

LA TEMPERATURA AMBIENTE MINIMA DI FUNZIONAMENTO È 0°F (-18°C).

### ⚠ PERICOLO

Gli oggetti infiammabili possono prendere fuoco se posizionati vicino all'apparecchio.

Mantenere l'area dell'apparecchio sgombra e libera da materiali combustibili, contenitori aerosol, benzina e altri vapori e liquidi infiammabili.

### ⚠ ATTENZIONE

Se l'apparecchio è dotato di un porta salviette di carta, il braccio deve essere in posizione aperta mentre l'apparecchio è in uso.

**SE GRASSO O ALTRO MATERIALE CALDO GOCCIOLA SULLA VALVOLA, SUL TUBO FLESSIBILE O SUL REGOLATORE:**

**PASSO 01** Chiudere immediatamente l'alimentazione del gas.

**PASSO 02** Determina la causa e correggila.

**PASSO 03** Pulire e ispezionare valvola, tubo flessibile e regolatore.

**PASSO 04** Eseguire un test di tenuta. (Fare riferimento alle istruzioni per il test delle perdite)

## ALLESTIMENTO DEL TUO SPAZIO ESTERNO

**QUESTO APPARECCHIO DEVE ESSERE UTILIZZATO SOLO ALL'APERTO.**

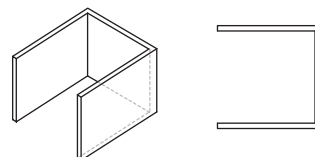
- Non utilizzare questo apparecchio all'interno di edifici, garage o qualsiasi altra area chiusa.
- Non installare questo apparecchio in o su una barca.
- Non installare questo apparecchio all'interno o su un veicolo ricreativo.

### AREE ESTERNE RIPARATE:

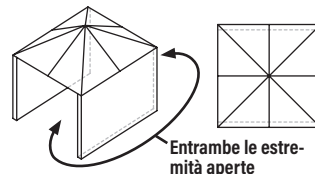
Tutte le aperture devono essere permanentemente aperte; porte scorrevoli, porte da garage, finestre o aperture schermate non sono considerate aperture permanenti.

Un apparecchio è considerato all'aperto se installato con riparo non più inclusivo di:

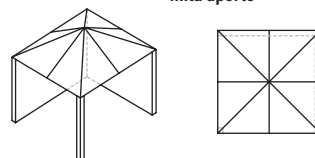
- a. Con pareti su tre lati, ma senza copertura sopraelevata.



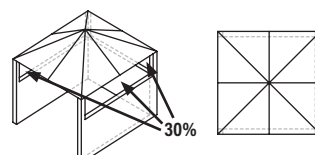
- b. All'interno di un recinto parziale che comprende una copertura sopraelevata e non più di due pareti laterali. Le pareti laterali possono essere parallele, come in una brezza, o ad angolo retto l'una rispetto all'altra.



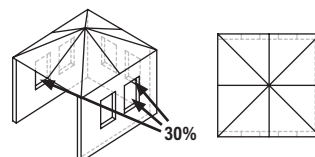
Entrambe le estremità aperte



- c. All'interno di un recinto parziale che comprende una copertura sopraelevata e tre pareti laterali, purché il 30% o più della periferia orizzontale del recinto sia permanentemente aperto.



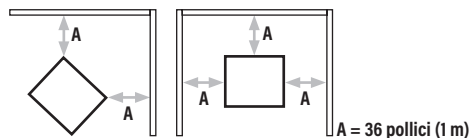
30%



30%

### MANTENERE UNA DISTANZA ADEGUATA DAL MATERIALE COMBUSTIBILE:

- Non utilizzare questo apparecchio sopra o sotto qualsiasi appartamento o balcone o terrazzo condominiale.
- Non ostruire il flusso dell'aria comburente e di ventilazione.
- Non utilizzare questo apparecchio a meno di 36 pollici (1 m) dai lati e dal retro dell'apparecchio.



A = 36 pollici (1 m)

- Non utilizzare questo apparecchio sotto costruzioni combustibili sopraelevate.

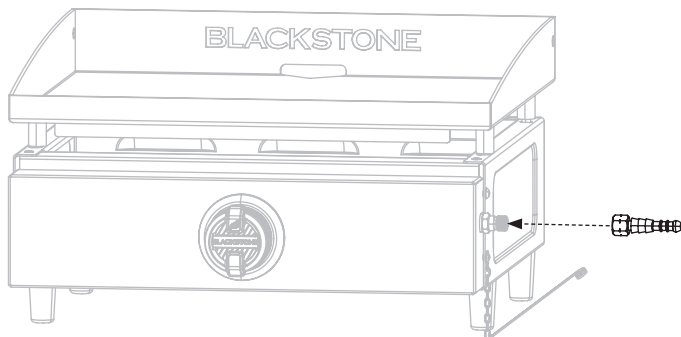
# FISSAGGIO DEL CILINDRO DEL CARBURANTE

## ATTACCARE IL REGOLATORE

**PASSO 01** Il regolatore e il tubo devono essere collegati correttamente all'apparecchio. È necessario utilizzare una chiave per serrare il dado sulla filettatura di collegamento.

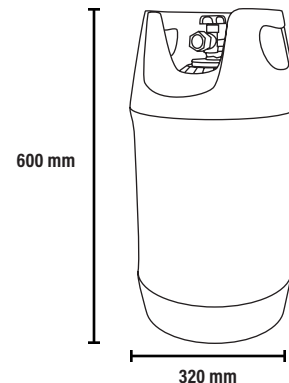
Se si utilizza una fascetta per carburante, collegare la punta del tubo flessibile alla rotaia del gas.

(Barb è il filo della mano sinistra.)



## REQUISITI BOMBOLA GPL

- Il vostro apparecchio può essere utilizzato con bombole di gas tra 11 kg e 15 kg.
- La dimensione massima della bombola del gas dovrebbe essere: Dia. 320mm, Altezza: 600 mm (regolatore incluso).
- Seguire le informazioni tecniche come indicato nel manuale di istruzioni e verificare con il proprio fornitore di gas locale per avere una bombola di gas adatta per il proprio apparecchio.



## SICUREZZA DELLA BOMBOLA DEL GAS

- La bombola del gas non deve essere lasciata cadere o maneggiata in modo approssimativo.
- Se l'apparecchio non è in uso, la bombola deve essere scollegata.
- Riposizionare il tappo di protezione sulla bombola dopo aver scollegato la bombola dall'apparecchio.
- La bombola del gas deve essere posizionata all'esterno del corpo dell'apparecchio.
- Collegare o sostituire sempre la bombola in un'area ben ventilata e lontano da qualsiasi fonte di ignizione, mai in presenza di fiamme, scintille o fonti di calore.
- Le bombole devono essere conservate all'aperto in posizione verticale e fuori dalla portata dei bambini. La bombola non deve mai essere conservata dove la temperatura può superare i 50°C. Non conservare la bombola vicino a fiamme, fiamme pilota o altre fonti di accensione. **NON FUMARE.**
- Assicurarsi che il vano bombola del gas (se presente) non sia ostruito, mantenerlo aerato e pulito.
- Dovrai far revisionare o sostituire il cilindro ogni dieci anni. La data dell'ultimo servizio deve essere stampigliata sul collo della bottiglia.
- In caso di utilizzo a terra, posizionare sempre l'apparecchio e la bombola su un terreno piano.

**PASSO 02** Se il tubo flessibile viene sostituito, deve essere fissato all'apparecchio e ai collegamenti del regolatore con fascette stringitubo.

## EVITARE DI TORCERE IL TUBO FLESSIBILE QUANDO L'APPARECCHIO È IN USO.

- Accertarsi che il tubo non sia ostruito, piegato o in contatto con parti dell'apparecchio diverse dalla sua connessione.
- Il tubo usurato o danneggiato deve essere sostituito.
- Controllare l'O-ring di gomma sull'estremità del regolatore del gruppo flessibile almeno una volta all'anno. Se appare usurato o rotto, fallo sostituire.
- Scollegare il regolatore dalla bombola (secondo le istruzioni fornite con il regolatore) quando l'apparecchio non è in uso.

## ISTRUZIONI PER IL TEST DELLE PERDITE

**PASSO 01** Prepara 2-3 once fluide di soluzione per il rilevamento delle perdite mescolando una parte di detersivo per piatti con 3 parti di acqua.

**PASSO 02** Chiudere l'alimentazione del gas alla valvola della bombola del gas.

**PASSO 03** Assicurarsi che la valvola di controllo sia "OFF".

**PASSO 04** Collegare il regolatore alla bombola e la valvola ON/OFF al bruciatore, assicurarsi che i collegamenti siano saldi, quindi accendere il gas.

**PASSO 05** Spazzolare l'acqua saponata sul tubo e su tutte le giunture. Se compaiono bolle, hai una perdita, che deve essere corretta prima dell'uso. Ripetere il test dopo aver risolto l'errore.

**PASSO 06** Spegnerne l'alimentazione del gas al contenitore del gas dopo l'uso.

Se la perdita viene rilevata di nuovo e non può essere riparata, non tentare di rimediare alla perdita ma consultare il proprio rivenditore di gas.



## ISTRUZIONI DI ACCENSIONE

### 1. VALVOLE DI RITEGNO

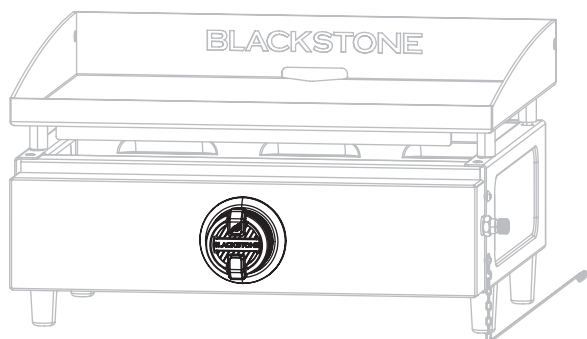
⚠ Assicurarsi che il gas sia chiuso sulla valvola di intercettazione dell'alimentazione prima di controllare le valvole dell'apparecchio.

**PASSO 01** Ruotare tutte le manopole in posizione ❶ spento.

**PASSO 02** Spingere la manopola e rilasciare. La manopola dovrebbe tornare indietro.

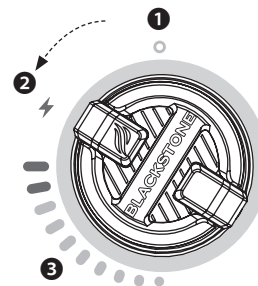
Se le manopole non tornano indietro, sostituire il gruppo valvola prima di utilizzare l'apparecchio.

**PASSO 03** Ruotare la manopola su LOW, quindi tornare su OFF. La manopola dovrebbe girare senza intoppi.



### 2. ACCENSIONE PIEZOELETTRICA DELLA PIASTRA

⚠ Non sporgersi sull'apparecchio durante l'accensione.



#### PASSO 01

Aprire il gas ruotando il volantino della bombola del gas in senso antiorario da 1 a 3 giri.

#### PASSO 02

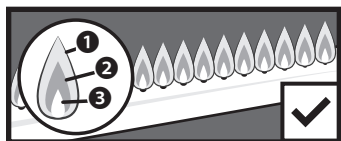
- ❶ Premere la manopola di controllo per avviare il flusso del gas.
- ❷ Ruotare la manopola di comando in senso antiorario per attivare lo starter.
- ❸ Regolare la temperatura al livello desiderato.

### 3. CONTROLLARE SEMPRE LA FIAMMA DEL BRUCIATORE PRIMA DELL'USO.

**PASSO 01** Accendere i bruciatori e ruotare le manopole da ALTO a BASSO.

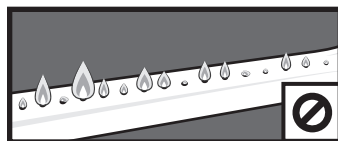
**PASSO 02** Guarda sotto la superficie di cottura per vedere i bruciatori. Quando la manopola è su ALTO, le fiamme dovrebbero essere più grandi rispetto a quando la manopola è su BASSO.

#### SCHEMA DI FIAMMA SANO



- ❶ Sfarfallio di colore giallo.
- ❷ Colore blu scuro. ❸ Blu vibrante.

#### GIALLO O IRREGOLARE



Se si verifica un calo improvviso o un problema di fiamma bassa, fare riferimento al capitolo Risoluzione dei problemi.

#### ⚠ AVVERTENZA

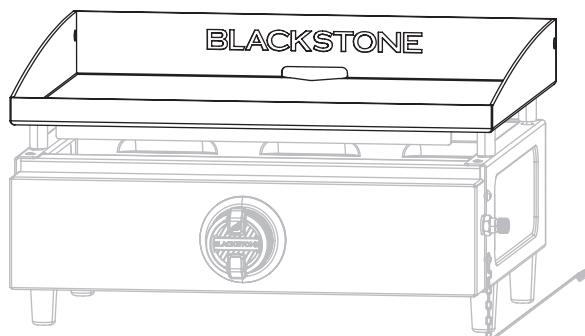
Se il bruciatore non si accende con la valvola di alimentazione del gas aperta, il gas continuerà a fuoriuscire dal bruciatore e potrebbe accendersi accidentalmente/inavvertitamente con rischio di lesioni.

**Se l'accensione non avviene entro 5 secondi:**

1. Spegnerne la manopola di controllo del bruciatore.
2. Aspetta 5 minuti.
3. Ripetere la procedura di illuminazione.

Se il bruciatore non si accende, fare riferimento al capitolo Risoluzione dei problemi.

## ISTRUZIONI PER IL CONDIMENTO DELLA PIASTRA



### LAVARE LA PARTE SUPERIORE DELLA PIASTRA PRIMA DEL PRIMO UTILIZZO

#### AVVISO

Il sapone rovinerà una piastra condita. Questa è l'unica volta in cui dovresti usare il sapone sulla superficie di cottura della piastra.

**PASSO 01** Lavare la superficie di cottura della piastra con acqua calda e sapone.

**PASSO 02** Sciacquare e asciugare completamente.

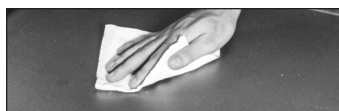
### CONDIRE LA TUA PIASTRA



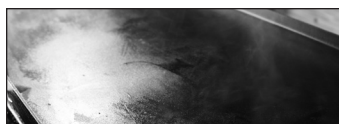
#### VIDEOTUTORIAL

Come condire una nuova piastra Blackstone  
[youtube.com/watch?v=VspmDVnj2pl&t=3s](https://www.youtube.com/watch?v=VspmDVnj2pl&t=3s)

**PASSO 01** Rimuovere eventuali detriti dalla parte superiore della piastra.



**PASSO 02** Imposta la piastra a fuoco alto fino a quando la parte superiore della piastra non cambia colore. (~10 minuti)

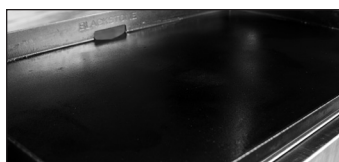


**PASSO 03** Usa le pinze per tenere un tovagliolo di carta o un panno di cotone e stendi 2-3 cucchiaini dell'olio di condimento su tutta la superficie della piastra.

Quando condisci la superficie della piastra, ricorda di utilizzare uno strato sottile e uniforme di olio: più sottile è lo strato di olio, più facile sarà bruciarlo.



**PASSO 04** La parte superiore della piastra è pronta per un altro strato di olio quando smette di fumare. Ripeti il **PASSO 03** 3-4 volte o finché la superficie della piastra non è nera.



#### AVVISO

Non conservare alcun oggetto entro 3 pollici (8 cm) dalla parte superiore della piastra durante l'uso.

#### QUALE OLIO È MEGLIO USARE?

- Condimento Blackstone e balsamo per ghisa.
- Qualsiasi olio da cucina di origine vegetale.
- Grasso animale fuso senza additivi.



#### ATTENZIONE

Smaltire correttamente gli stracci/asciugamani utilizzati per spargere l'olio sulla superficie della piastra per evitare che potrebbero verificarsi incendi dovuti a combustione spontanea.

Nelle giuste condizioni, l'olio residuo su stracci o asciugamani può ossidarsi molto tempo dopo essere stato rimosso da una fonte di calore. Il processo di ossidazione stesso produce calore che, se non dissipato, può accumularsi e causare l'incendio degli stracci/asciugamani e del materiale circostante.

### RISOLUZIONE DEI PROBLEMI DI CONDIMENTO

SULLA SUPERFICIE DELLA PIASTRA È PRESENTE UN RESIDUO BRUNASTRO:

#### POSSIBLE CAUSES

- È stato utilizzato troppo olio.
- Hai spento il fuoco troppo presto.

#### SOLUTION

**PASSO 01** Accendete la piastra e fatela scaldare per 10-15 minuti.

**PASSO 02** Raschiare quanto più possibile l'olio addensato e parzialmente cotto.

**PASSO 03** Condire nuovamente con uno strato molto sottile di olio.

#### I BORDI DELLA SUPERFICIE DELLA PIASTRA NON SONO NERI:

Dopo aver utilizzato la piastra per più cotture, il condimento si uniformerà e migliorerà.

#### PREVENIRE LA RUGGINE

Usa la tua piastra frequentemente. Ogni volta che cucini, aggiungi al condimento, il che rende meno probabile la ruggine.

#### AVVISO

Se vivi in un clima umido o costiero, la tua piastra potrebbe richiedere condimenti più frequenti tra un uso e l'altro.

Se appare della ruggine sulla superficie della piastra, strofinarla con lana d'acciaio, carta vetrata a grana bassa o **Pietra pomice Blackstone** e ristaccare la superficie.



#### VIDEOTUTORIAL

Recupero della tua piastra Blackstone  
[youtube.com/watch?v=thPE2IgnSii](https://www.youtube.com/watch?v=thPE2IgnSii)



## CUCINANDO SUL TUO BLACKSTONE

### ⚠ ATTENZIONE

Questo apparecchio sarà caldo durante e dopo l'uso. Utilizzare utensili con il manico lungo e guanti da forno/guanti protettivi quando si maneggiano parti potenzialmente calde, comprese le maniglie vicine al corpo dell'apparecchio, per proteggersi da ustioni e schizzi.

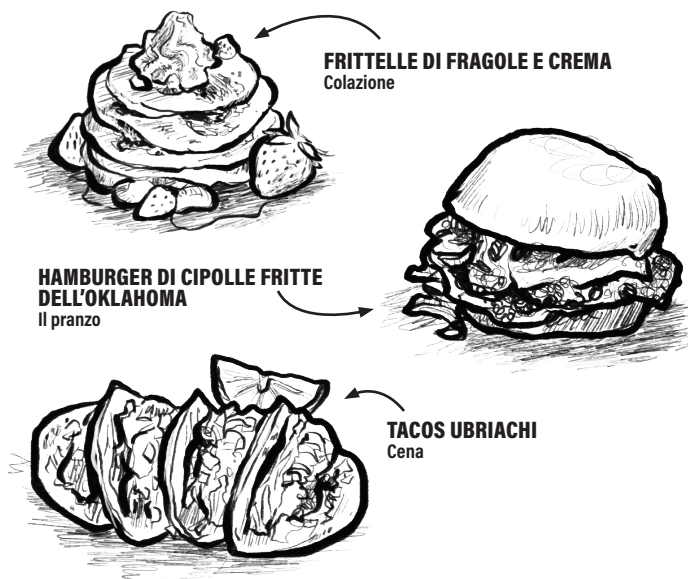
### VIDEORICETTE

Trova ricette e consigli di cucina su:

[BlackstoneProducts.com/recipes](https://BlackstoneProducts.com/recipes)

[youtube.com/BlackstoneGriddles](https://youtube.com/BlackstoneGriddles)

@blackstoneproducts



## CURA E MANUTENZIONE

### ⚠ AVVERTENZA

L'accumulo di grasso può causare un incendio. Pulire qualsiasi parte dell'apparecchio che si surriscalda e che presenta accumuli di grasso dopo ogni utilizzo.

### ⚠ ATTENZIONE

Tutte le operazioni di pulizia e manutenzione devono essere eseguite quando l'apparecchio è freddo e tutto è spento.

- Non utilizzare un tampone abrasivo su aree con grafica.
- Se si utilizza una spazzola a setole per pulire una delle superfici di cottura, assicurarsi che non rimangano setole sciolte sulle superfici di cottura prima della cottura.

### CORPO DELL'APPARECCHIO:

Lavare con acqua tiepida e sapone e asciugare immediatamente con un panno non abrasivo. (Non lasciare che gli agenti di pulizia restino su qualsiasi superficie porosa per un periodo di tempo prolungato.)

### AVVISO

Non utilizzare Citrisol, detersivi abrasivi o detersivi concentrati sull'apparecchio. Ciò potrebbe causare danni e guasti alle parti.

## STOCCAGGIO DI ELETTRODOMESTICI

### ⚠ AVVERTENZA

Non spostare l'apparecchio quando è in uso. Lasciare raffreddare l'apparecchio a 45°C (115°F) prima di spostarlo o riporlo.

Lo stoccaggio di un apparecchio al chiuso è consentito solo se l'alimentazione del gas è scollegata e rimossa dall'apparecchio.

### GUIDA ALLA VESTIBILITÀ DELLA COPERTINA

Coprire sempre l'apparecchio se riposto all'aperto.



Per trovare una copertura adatta al tuo elettrodomestico, visita [BlackstoneProducts.com/support](https://BlackstoneProducts.com/support).



## PULIRE LA PARTE SUPERIORE DELLA PIASTRA

Pulisci la parte superiore della piastra dopo ogni utilizzo, mentre è ancora calda.

- Non usare sapone sulla parte superiore della piastra. Questo distruggerà il condimento della piastra.



### VIDEOTUTORIAL

Come pulire la tua piastra Blackstone  
 ▶ [youtube.com/watch?v=-ledu9z6NPY](https://www.youtube.com/watch?v=-ledu9z6NPY)

**PASSO 01** Spingere i residui di cibo sciolti nella tazza del grasso con una spatola o un raschietto di metallo dritto.



**PASSO 02** Pulisci la parte superiore della piastra con un tovagliolo di carta.



**PASSO 03** Applicare alcuni cucchiai d'acqua sulla superficie della piastra, quindi raschiare l'acqua e i detriti nella coppa del grasso.

(Per i residui di cibo appiccicati, usa un po' di sale grosso.)



**PASSO 04** Pulisci di nuovo con un tovagliolo di carta e asciugalo completamente.



**PASSO 05** Applicare uno strato sottile di olio da cucina per mantenere il condimento e proteggere la superficie della piastra.



## SVUOTA LA TAZZA DEL GRASSO

Il contenitore del grasso deve essere rimosso e svuotato dopo ogni utilizzo.

### ⚠ ATTENZIONE

La coppa del grasso sarà calda durante e dopo l'uso. Non rimuovere la coppa del grasso fino a quando la piastra non si è completamente raffreddata.

## PULIZIA DEL GRUPPO BRUCIATORE

Per ridurre la possibilità di "ritorno di fiamma", la procedura seguente deve essere seguita almeno una volta al mese quando i ragni sono più attivi o quando l'apparecchio non è stato utilizzato per un periodo di tempo.



### VIDEOTUTORIAL

Come pulire il tubo del bruciatore  
 ▶ [youtube.com/watch?v=xKQTCrFCzf8](https://www.youtube.com/watch?v=xKQTCrFCzf8)

**PASSO 01** Staccare il gruppo regolatore dalla bombola di GPL ruotando il dado di innesto rapido in senso orario.

- Rimuovere la parte superiore della piastra.
- Rimuovere il bruciatore tirando la clip del bruciatore. Utilizzare un cacciavite o una pinza ad ago.

**PASSO 02** Sollevare con cautela il bruciatore e allontanarlo dall'orifizio della valvola del gas.

**PASSO 03** Pulisci l'interno del bruciatore:

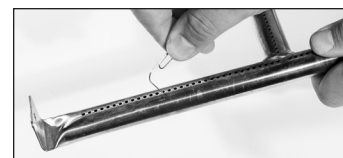
- Fai scorrere più volte una spazzola per bottiglie (non una spazzola metallica) o un filo rigido piegato in un piccolo gancio attraverso ciascun tubo del bruciatore.
- Utilizzare aria compressa per soffiare attraverso il tubo del bruciatore e fuori dalle porte del bruciatore (indossare una protezione per gli occhi).



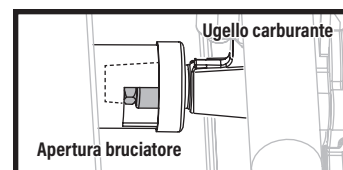
**PASSO 04** Spennellare l'intera superficie esterna del bruciatore per rimuovere lo sporco.



**PASSO 05** Pulisci le porte bloccate con un filo rigido come una graffetta aperta.



**PASSO 06** Sostituire con cura i bruciatori e riattaccarli, prestando attenzione alla posizione dell'ago di accensione.



⚠ L'ugello del carburante della rampa del gas deve essere reinserito all'interno dell'apertura del bruciatore.





# RISOLUZIONE DEI PROBLEMI

## RISOLUZIONE DEI PROBLEMI DI ACCENSIONE

### IL BRUCIATORE NON SI ACCENDE:

Se l'accensione non avviene entro 5 secondi:

**PASSO 01** Ruotare la manopola di controllo del bruciatore su OFF.

**PASSO 02** Aspetta 5 minuti.

**PASSO 03** Ripetere la procedura di illuminazione.

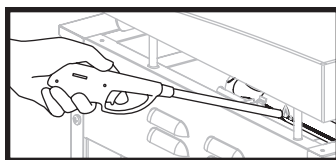
Se questo non funziona, per determinare la causa, provare ad accendere l'apparecchio con un fiammifero.

### ABBINA LE ISTRUZIONI DI ILLUMINAZIONE

Prima di iniziare, verificare la presenza di perdite di gas. Capote aperta (se applicabile).

**PASSO 01** Ruotare la manopola di controllo in posizione OFF.

**PASSO 02** Accendi un fiammifero (o un accendino lungo) non più lungo di 11 pollici.

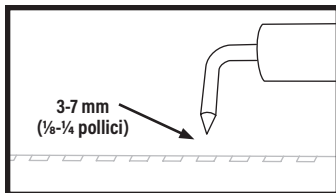


**PASSO 03** Mettere la fiamma vicino al bruciatore.

**PASSO 04** Spingere e ruotare la manopola di controllo per avviare il flusso del gas. Assicurarsi che il bruciatore si accenda e rimanga acceso.

### SE RIESCI AD ACCENDERE IL TUO APPARECCHIO CON UN FIAMMIFERO:

CAUSE POSSIBILI	SOLUZIONE
Cavo di accensione disallineato.	Assicurarsi che lo spillo dell'accenditore sia posizionato a 3-7 mm (1/8-1/4 pollici) di distanza dal bruciatore e allineato con i fori del bruciatore.



Danni al sistema di accensione.	Contattare il servizio clienti per i pezzi di ricambio.
---------------------------------	---

### SE NON RIESCI AD ACCENDERE IL TUO APPARECCHIO CON UN FIAMMIFERO:

CAUSE POSSIBILI	SOLUZIONE
I tubi del bruciatore non ricevono carburante.	Pulire il gruppo bruciatore per rimuovere l'ostruzione.

## RISOLUZIONE DEI PROBLEMI DEL FLUSSO DI GAS

### L'APPARECCHIO NON RAGGIUNGE UNA TEMPERATURA ELEVATA O SI RISCALDA IN MODO NON UNIFORME:

- Le fiamme del bruciatore sono gialle o irregolari.
- Le fiamme del bruciatore iniziano forte, quindi scendono immediatamente al minimo anche quando il bruciatore è impostato in posizione alta.
- L'altezza della fiamma diminuisce quando si accende un secondo bruciatore.
- Le fiamme non si estendono per l'intera lunghezza del bruciatore o corrono solo su un lato del bruciatore.
- Le fiamme del bruciatore sono incoerenti.

#### CAUSE POSSIBILI

Ostruzioni nel bruciatore, nei getti di gas o nel condotto del carburante.

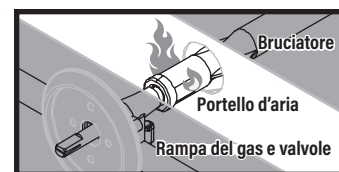
La bombola del gas è vuota o bassa.

#### SOLUZIONE

Pulire il bruciatore, i getti e il tubo del gas.

Riempire o sostituire la bombola del gas.

- Una fiamma sta uscendo dal cancello d'aria.



#### CAUSE POSSIBILI

Qualcosa sta bloccando il venturi nel bruciatore.

#### SOLUZIONE

Pulire il gruppo bruciatore per rimuovere l'ostruzione.



Questa pagina è stata lasciata vuota intenzionalmente

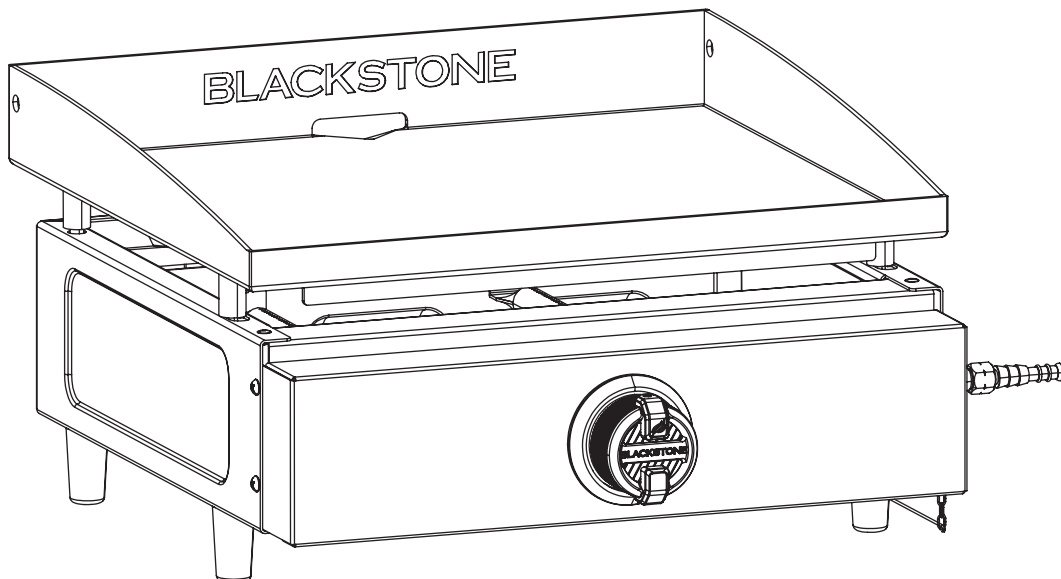


Questa pagina è stata lasciata vuota intenzionalmente



Questo prodotto può essere coperto da uno o più brevetti statunitensi e/o internazionali rilasciati e può includere domande di brevetto in corso di registrazione.

Per ulteriori informazioni, visitare: [BlackstoneProducts.com/patents](https://BlackstoneProducts.com/patents)



GEBRUIKERSHANDLEIDING | MONTAGE-INSTRUCTIES VOOR GASTOESTEL BUITENSHUIS

# 17" BAKPLAAT

## INHOUDSOPGAVE

BELANGRIJKE VEILIGHEIDSINFORMATIE .....	02
KLANTENSERVICE .....	03
MONTAGE GIDS .....	04
UW BLACKSTONE GEBRUIKEN .....	07
PROBLEEMOPLOSSEN .....	13

### BELANGRIJK:

Alleen buitenshuis gebruiken.

Lees de instructies voordat u het apparaat gebruikt.

Bewaar deze handleiding voor toekomstig gebruik.

Raadpleeg bij vragen over montage of bediening uw dealer of LPG-gasmaatschappij.

### VEILIGHEIDSWAARSCHUWINGSLEUTEL

#### ⚠ GEVAAR

Geeft een gevaarlijke situatie aan die, als deze niet wordt vermeden, zal leiden tot de dood of ernstig letsel.

#### ⚠ WAARSCHUWING

Geeft een gevaarlijke situatie aan die, als deze niet wordt vermeden, kan leiden tot de dood of ernstig letsel.

#### ⚠ VOORZICHTIG

Geeft een gevaarlijke situatie aan die, als deze niet wordt vermeden, kan leiden tot licht of matig letsel.

#### LET OP

Geeft informatie aan die als belangrijk wordt beschouwd, maar niet gerelateerd is aan gevaar (bijv. berichten met betrekking tot materiële schade).

# BELANGRIJKE VEILIGHEIDSINFORMATIE

## VOOR JOUW VEILIGHEID

Als u gas ruikt:

1. Sluit de gastoevoer bij de gasfles af.
2. Doof alle open vuur; gebruik geen elektrische apparaten.
3. Ventileer de ruimte.
4. Controleer op lekken zoals beschreven in deze handleiding.
5. Als de geur aanhoudt, neem dan onmiddellijk contact op met uw dealer of gasleverancier.



## VOORZORGSMAATREGELEN

1. Test alle aansluitingen op lekkage na elke tankvulling.
2. Controleer nooit op lekken met open vuur, gebruik altijd een zeepoplossing.
3. Bewaar of gebruik geen benzine of andere brandbare dampen en vloeistoffen in de buurt van dit apparaat.
4. Elke gasfles die niet is aangesloten voor gebruik, mag niet in de buurt van dit of enig ander apparaat worden bewaard.



## GEVAARLIJKE BRAND OF EXPLOSIE KAN HET GEVOLG ZIJN ALS DE INSTRUCTIES WORDEN NEGEERD.

Het is de verantwoordelijkheid van de consument om ervoor te zorgen dat het apparaat correct wordt gemonteerd, geïnstalleerd en onderhouden. Het niet opvolgen van de instructies in deze handleiding kan letsel en/of materiële schade tot gevolg hebben.

<b>MODEL-/TYPENR.</b>	2142EU			  2531-23      8504-23
<b>WARMTE-INBRENG:</b>	1 x 3.5 kW	<b>TOTAAL:</b> 3.5 kW (254.5 g/h)		
<b>GAS CATEGORIE:</b>	<b>I3+(28~30/ 37)</b>		<b>I3B/P(30)</b>	<b>I3B/P(50)</b>
<b>SOORTEN GAS:</b>	Butaan (G30)	Propaan (G31)	G30, G31 of hun mengsels	G30, G31 of hun mengsels
<b>GAS DRUK:</b>	(28-30) mbar	37mbar	(28-30) mbar	50 mbar
<b>PINCODE:</b>	<b>CE:</b> 2531DN-0117		<b>UKCA:</b> 8504D0-0003	<b>UKCA:</b> 8504D0-0003
	BE, FR, IT, LU, IE, GB, GR, PT, ES, CY, CZ, LT, CH, SI, LV, TR		LU, NL, DK, FI, SE, CY, CZ, EE, LT, MT, SK, SI, BG, IS, NO, HR, RO, IT, HU, LV, GR	DE, AT, CH, SK
<b>Alleen buitenshuis gebruiken.</b>				
<b>Lees de instructies voordat u het apparaat gebruikt.</b>				
<b>⚠ WAARSCHUWING: Toegankelijke onderdelen kunnen zeer heet zijn. Houd jonge kinderen uit de buurt.</b>				
<b>Dit apparaat moet tijdens gebruik uit de buurt van brandbare materialen worden gehouden.</b>				
<b>Verplaats het apparaat niet tijdens gebruik.</b>				
<b>Sluit na gebruik de gastoevoer bij de gasfles af.</b>				
<b>Pas het apparaat niet aan.</b>				

## VEREISTEN VOOR REGELAARS EN SLANGEN

- Gebruik alleen regelaars en slangen die zijn goedgekeurd voor LPG bij de bovengenoemde drukken. De gebruikte slang moet voldoen aan de relevante norm voor het land van gebruik.
- Gebruik een geschikte ademautomaat die is gecertificeerd volgens BSEN 12864 of EN 16129. Zorg ervoor dat de ademautomaat en de flexibele slang voldoen aan de plaatselijke voorschriften.
- De lengte van de flexibele slang mag niet langer zijn dan 1,5 m. In Finland mag de lengte niet groter zijn dan 1,2 m. De slang moet gecertificeerd zijn volgens de toepasselijke EN-norm en voldoen aan de lokale regelgeving. Raadpleeg uw LPG-dealer voor informatie over een geschikte regelaar voor de gasfles.

## ⚠ WAARSCHUWING

Het gebruik van de verkeerde regelaar of slang is onveilig; controleer altijd of u de juiste items hebt voordat u het apparaat gebruikt.

Dit toestel is alleen geschikt voor gebruik met lagedruk butaan- of propaangas of LPG-mengsels, voorzien van de juiste lagedrukregelaar via een flexibele slang.

De verwachte levensduur van de regelaar en de slang wordt geschat op 2 jaar.



# KLANTENSERVICE

## NEEM CONTACT MET ONS OP

Voor alle vragen, verzoeken of klantenondersteuning kunt u contact opnemen met:

**Griddle Masters Europe ApS**

**Blackstone Europe**

**Tel. +45 2424 7709**

**Nordre Strandvej 119, 3150 Hellebæk**

**Denmark**

**[www.blackstone-europe.com](http://www.blackstone-europe.com)**

## TWEE JAAR GARANTIE

North Atlantic Imports, LLC garandeert dit product tegen materiaal- en fabricagefouten gedurende een periode van twee (2) jaar vanaf de oorspronkelijke aankoopdatum, bij normaal gebruik. Voor zover dergelijke defecten zich voordoen, zal North Atlantic Imports, LLC, naar eigen goeddunken, kosteloos de juiste vervangende onderdelen leveren.

In geen geval is North Atlantic Imports, LLC aansprakelijk voor gevolgschade, indirecte of incidentele schade die voortvloeit uit de installatie, het gebruik of het falen van het product.

Deze garantie dekt NIET:

- Inspectiekosten of arbeid voor het vervangen van defecte onderdelen;
- Cosmetische gebreken die de prestaties of integriteit van het product niet beïnvloeden;
- Normale slijtage;
- Schade door vandalisme; natuurrampen, inclusief maar niet beperkt tot wind, stormen, hagel, overstromingen;
- Onjuiste montage, installatie of gebruik;
- Verkleuring of vervaging van de afwerking als gevolg van blootstelling aan chemicaliën, morsen, zwembad- of zoutwater;
- Corrosie/roest.

Dit product is ontworpen met het oog op veiligheid en kwaliteit. Eventuele wijzigingen aan het originele product kunnen de structurele integriteit of functie ervan in gevaar brengen en kunnen leiden tot defecten aan het product of persoonlijk letsel. Als zodanig maakt het wijzigen van dit product alle garanties ongeldig.

Dit product is UITSLUITEND bedoeld voor residentieel gebruik en is niet bedoeld voor commerciële, contractuele of andere niet-residentiële doeleinden. North Atlantic Imports, LLC wijst alle andere verklaringen en garanties van welke aard dan ook, expliciet of impliciet, af.

De garantie geldt voor de oorspronkelijke koper en is niet overdraagbaar. Het is niet van toepassing op accessoires of onderdelen die niet bij het product zijn geleverd, op aankopen van displaymodellen of op producten die in de uitverkoop of "as is" worden verkocht. Het is echter mogelijk dat u andere specifieke wettelijke rechten heeft op basis van de wetten van uw specifieke staat of land van verblijf.

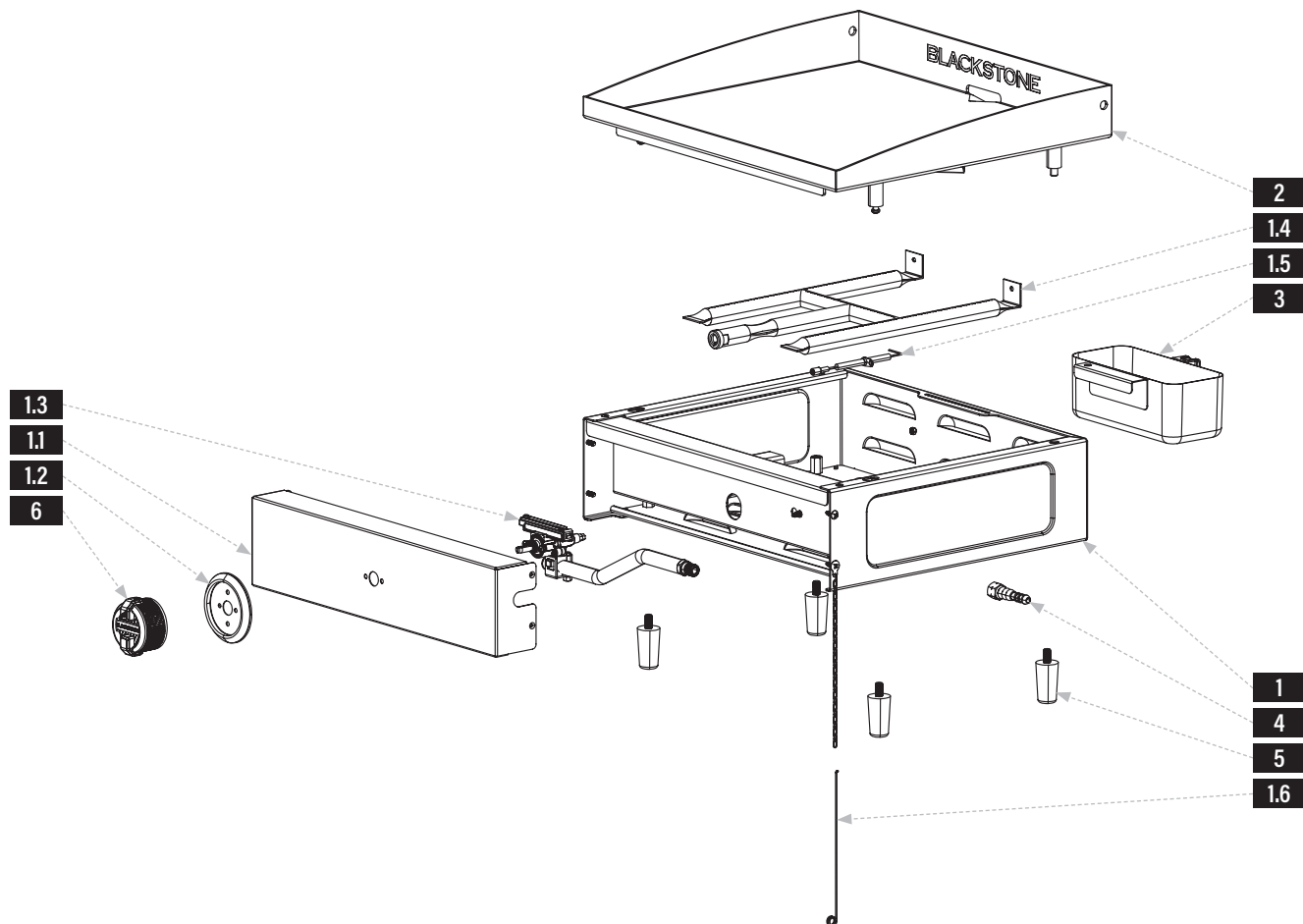
Om uw garantie te activeren, registreert u uw product op

**[blackstone-europe.com/pages/product-registration](http://blackstone-europe.com/pages/product-registration)**

North Atlantic Imports, LLC behoudt zich het recht voor om deze garantie op elk moment te wijzigen of aan te passen.

# MONTAGE GIDS

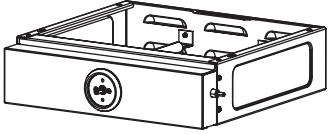
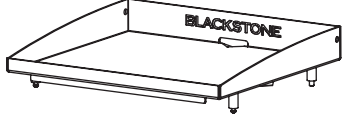
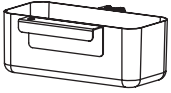
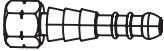


## EXPLOSIETEKENING



NEDERLANDS

### ONDERDELEN LIJST

ONDERDELEN	#
1.1 Controlepaneel	1
1.2 Bedieningsknop omlijsting	1
1.3 Gasrail	1
1.4 H-brander	1
1.5 Ontstekingsnaald	1
1.6 Match stick houder	1

<p><b>1</b> Lichaam (1 stuk)</p> 	<p><b>2</b> Bakplaat (1 stuk)</p> 
<p><b>3</b> Vetpot (1 stuk)</p> 	<p><b>4</b> Slangpilaar (1 stuk)</p> 
<p><b>5</b> Bakplaatvoetjes (4 stuks)</p> 	<p><b>6</b> Bedieningsknop (1 stuk)</p> 





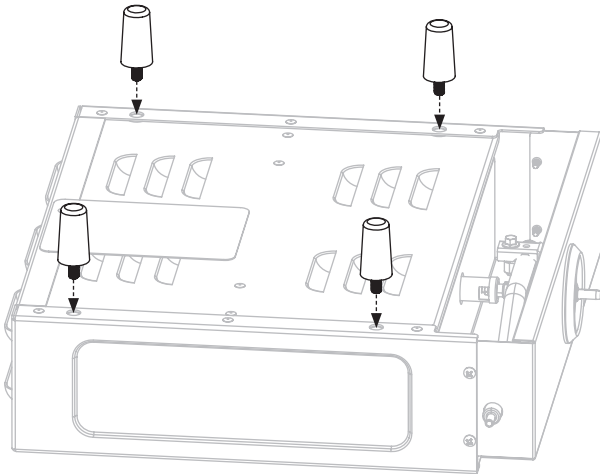
## MONTAGE INSTRUCTIES

Zoek een grote, schone ruimte om uw apparaat te monteren.  
Verwijder al het verpakkingsmateriaal voordat u het in elkaar zet.

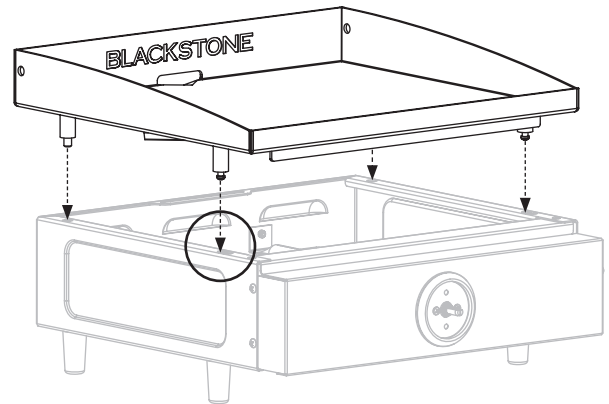
### ⚠ VOORZICHTIG

Scherpe randen. Draag handschoenen tijdens het monteren.

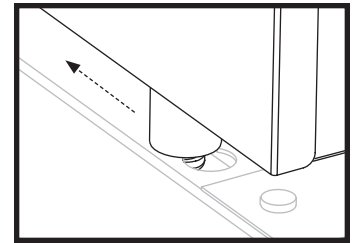
**STAP 01** Plaats de bakplaat ondersteboven op een gladde, vlakke ondergrond. Steek de vier (4) bakplaatvoeten in de bodem van de bakplaat.



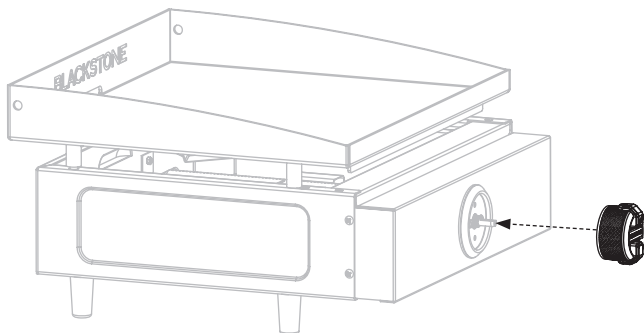
**STAP 02** Zet de bakplaat op zijn pootjes. Plaats de bovenkant van de bakplaat op de bakplaat door de vier pinnen uit te lijnen met de gaten in de bak.



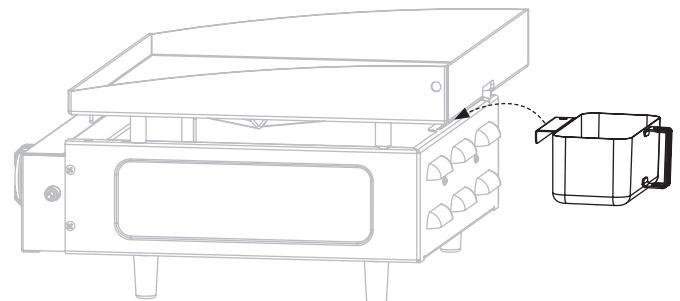
Zorg ervoor dat de voorste pinnen in de gaten zitten en duw vervolgens de bovenkant van de bakplaat naar achteren.



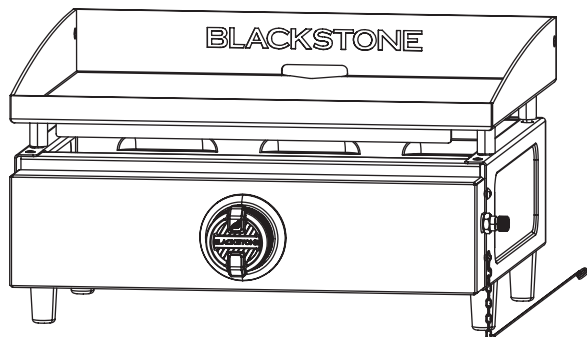
**STAP 03** Installeer de bedieningsknop door deze op zijn plaats te drukken in de UIT-stand.



**STAP 04** Hang de vetpot in de gleuf aan de achterkant van de bakplaat.



**STAP 05** Ga verder naar **UW BLACKSTONE GEBRUIKEN**.



***LET OP***

Plaats het apparaat tijdens gebruik op een hittebestendige en vlambestendige ondergrond.



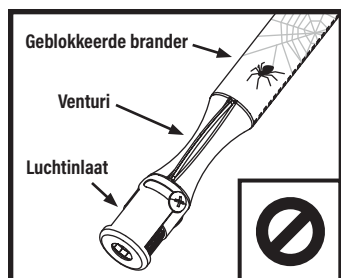
# UW BLACKSTONE GEBRUIKEN

## VOOR HET KOKEN

### BRANDERS CONTROLEREN

Controleer vóór aansluiting en gebruik of er geen vuil in de kop van de gasfles, de regelaar, de slang, de brander en de branderpoorten zit of schade toebrengt aan de kop van de gasfles.

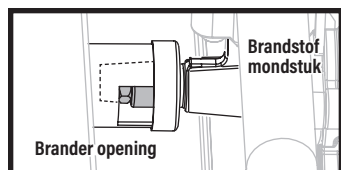
Spinnen en insecten kunnen erin nestelen en de brander/venturibus bij de opening verstopen.



### ⚠ WAARSCHUWING

Een verstopte brander kan leiden tot brand onder het toestel.

De brander moet worden verwijderd en gereinigd wanneer er verstoppingen worden gevonden.



⚠ Zorg ervoor dat de opening van het brandstofmondstuk van de gasrail correct in de branderopening zit.

### DE MINIMALE OMGEVINGSTEMPERATUUR IS 0°F (-18°C).

### ⚠ GEVAAR

Ontvlambare voorwerpen kunnen ontbranden als ze in de buurt van het apparaat worden geplaatst.

Houd het apparaat vrij van brandbare materialen, spuitbussen, benzine en andere brandbare dampen en vloeistoffen.

### ⚠ VOORZICHTIG

Als het apparaat is uitgerust met een papieren handdoekhouder, moet de arm in de open stand staan terwijl het apparaat in gebruik is.

### ALS VET OF ANDER HEET MATERIAAL OP DE KLEP, SLANG OF REGELAAR DRUPPELT:

**STAP 01** Sluit de gastoevoer onmiddellijk af.

**STAP 02** Bepaal de oorzaak en corrigeer deze.

**STAP 03** Reinig en inspecteer klep, slang en regelaar.

**STAP 04** Voer een lektest uit. (Raadpleeg de lekttestinstructies)

## JE BUITENRUIMTE INRICHTEN

### DIT APPARAAT MAG ALLEEN BUITENSHUIS WORDEN GEBRUIKT.

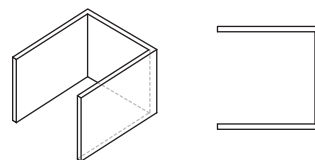
- Gebruik dit apparaat niet in gebouwen, garages of andere afgesloten ruimten.
- Installeer dit apparaat niet in of op een boot.
- Installeer dit apparaat niet in of op een recreatievoertuig.

### BESCHUTTE BUITENRUIMTES:

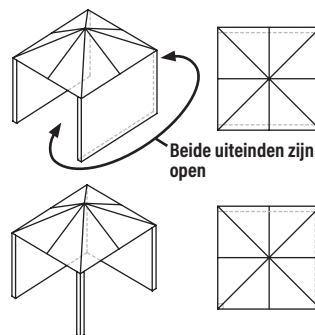
Alle openingen moeten permanent open zijn; schuifdeuren, garagedeuren, ramen of afgeschermd openingen worden niet beschouwd als permanente openingen.

Een apparaat wordt als buitenshuis beschouwd als het is geïnstalleerd met niet meer beschutting dan:

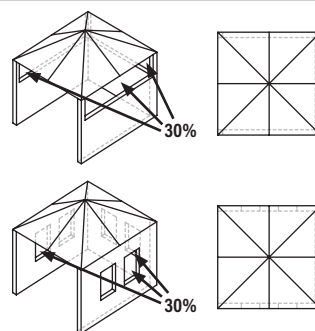
- a. Met wanden aan drie zijden, maar zonder overkapping.



- b. Binnen een gedeeltelijke omheining met een overkapping en niet meer dan twee zijwanden. De zijwanden kunnen evenwijdig zijn, zoals in een doorgang, of in een rechte hoek ten opzichte van elkaar.

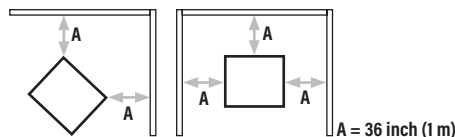


- c. Binnen een gedeeltelijke omheining met een overkapping en drie zijwanden, zolang 30% of meer van de horizontale omtrek van de omheining permanent open is.



### ZORG VOOR VOLDOENDE AFSTAND TOT BRANDBAAR MATERIAAL:

- Gebruik dit apparaat niet op of onder een balkon of terras in een appartement of condominium.
- Belemmer de toevoer van verbrandings- en ventilatielucht niet.
- Gebruik dit apparaat niet dichterbij dan 36 inch (1 m) van de zijkanten en achterkant van het apparaat.



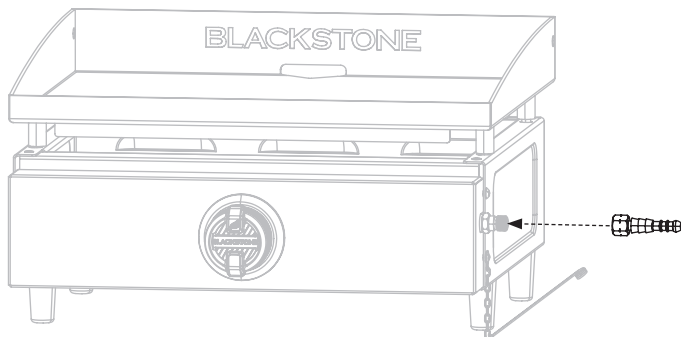
- Gebruik dit apparaat niet onder een brandbare constructie boven het hoofd.



## HET BEVESTIGEN VAN DE BRANDSTOFCILINDER DE REGELAAR BEVESTIGEN

**STAP 01** De regelaar en de slang moeten correct op het apparaat zijn aangesloten. Voor het vastdraaien van de moer op de schroefdraad van de aansluiting moet een sleutel worden gebruikt.

Als u een brandstofklem gebruikt, bevestigt u de slangpilaar aan de gasrail. (Barb is linkse draad.)



**STAP 02** Als de slang wordt vervangen, moet deze met slangklemmen aan de aansluitingen van het apparaat en de regelaar worden vastgemaakt.

### VERMIJD HET DRAAIEN VAN DE FLEXIBELE SLANG WANNEER HET APPARAAT IN GEBRUIK IS.

- Zorg ervoor dat de slang niet wordt geblokkeerd, geknikt of in contact komt met enig ander deel van het apparaat dan de aansluiting.
- Versleten of beschadigde slang moet worden vervangen.
- Controleer de rubberen O-ring aan het regelaaruiteinde van de slangeneenheden minstens één keer per jaar. Als het versleten of gebarsten lijkt, laat het dan vervangen.
- Koppel de regelaar los van de gasfles (volgens de bij de regelaar geleverde gebruiksaanwijzing) wanneer het apparaat niet in gebruik is.

## LEK TEST INSTRUCTIES

**STAP 01** Maak 2-3 vloeibare ounces lekdetectieoplossing door een deel afwasmiddel te mengen met 3 delen water.

**STAP 02** Sluit de gastoevoer af bij het gasflesventiel.

**STAP 03** Zorg ervoor dat de regelklep "UIT" is.

**STAP 04** Sluit de regelaar aan op de cilinder en de AAN/UIT-klep op de brander, zorg ervoor dat de aansluitingen goed vastzitten en zet dan het gas AAN.

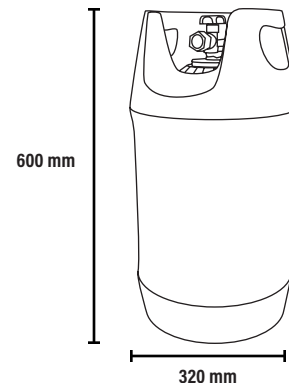
**STAP 05** Borstel het zeepwater op de slang en alle verbindingen. Als er bellen verschijnen, is er sprake van een lek dat voor gebruik moet worden verholpen. Voer de test opnieuw uit nadat u de fout hebt verholpen.

**STAP 06** Sluit na gebruik de gastoevoer bij de gasfles af.

Als er opnieuw lekkage wordt geconstateerd en deze niet kan worden verholpen, probeer dan niet de lekkage te verhelpen, maar raadpleeg uw gasdealer.

### VEREISTEN VOOR LPG-CILINDERS

- Uw apparaat is geschikt voor gasflessen van 11 kg tot 15 kg.
- De maximale grootte van de gasfles moet zijn: Dia. 320 mm, Hoogte: 600 mm (inclusief ademautomaat).
- Volg de technische informatie zoals vermeld in de gebruiksaanwijzing en informeer bij uw plaatselijke gasleverancier naar een geschikte gasfles voor uw toestel.



### VEILIGHEID VAN DE GASFLES

- De gasfles mag niet vallen of ruw gehanteerd worden.
- Als het apparaat niet in gebruik is, moet de cilinder worden losgekoppeld.
- Plaats na het loskoppelen van de cilinder van het toestel de beschermkap terug op de fles.
- De gasfles moet buiten de behuizing van het apparaat worden geplaatst.
- Sluit of vervang de cilinder altijd in een goed geventileerde ruimte en uit de buurt van ontstekingsbronnen, nooit in de buurt van een vlam, vonk of warmtebron.
- Cilinders moeten buitenshuis rechtop en buiten het bereik van kinderen worden bewaard. De cilinder mag nooit worden opgeslagen waar de temperatuur hoger kan worden dan 50°C. Bewaar de cilinder niet in de buurt van vlammen, waakvlammen of andere ontstekingsbronnen. NIET ROKEN.
- Zorg ervoor dat het compartiment van de gasfles (indien aanwezig) niet wordt geblokkeerd, houd het geventileerd en schoon.
- U moet de cilinder elke tien jaar laten onderhouden of vervangen. De datum van de laatste service moet op de hals van de fles worden gestempeld.
- Plaats bij gebruik op de grond het apparaat en de cilinder altijd op een vlakke ondergrond.



## ONTSTEKINGSINSTRUCTIES

### 1. TERUGSLAGKLEPPEN

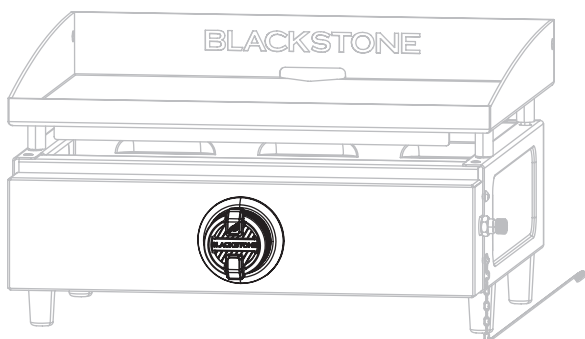
⚠ Zorg ervoor dat het gas is afgesloten bij de toevoerafsluiter voordat u de kleppen van het apparaat controleert.

**STAP 01** Draai alle knoppen naar de ❶ uit-positie.

**STAP 02** Druk de knop in en laat los. Knop moet terugveren.

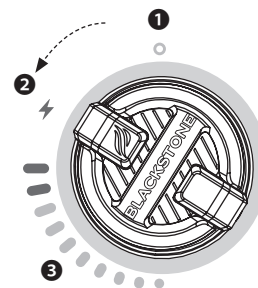
Als de knoppen niet terugveren, vervang dan de klepconstructie voordat u het apparaat gebruikt.

**STAP 03** Draai de knop naar LAAG en draai vervolgens terug naar UIT. De knop moet soepel draaien.



### 2. PIËZO-ELEKTRISCHE BAKPLAATONTSTEKING

⚠ Leun tijdens het aansteken niet over het apparaat.



#### STAP 01

Zet het gas AAN door het handwiel van de gasfles 1 tot 3 slagen linksom te draaien.

#### STAP 02

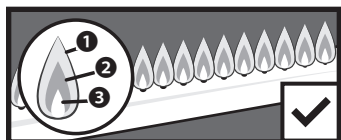
- ❶ Druk de bedieningsknop in om de gasstroom te starten.
- ❷ Draai de bedieningsknop tegen de klok in om de starter te activeren.
- ❸ Stel de temperatuur in op het gewenste niveau.

### 3. CONTROLEER VÓÓR GEBRUIK ALTIJD DE VLAM VAN DE BRANDER.

**STAP 01** Steek de branders aan en draai de knoppen van HOOG naar LAAG.

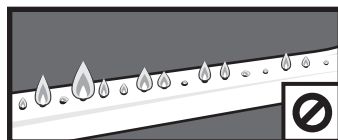
**STAP 02** Kijk onder het kookoppervlak om de branders te bekijken. Wanneer de knop op HOOG staat, moeten de vlammen groter zijn dan wanneer de knop op LAAG staat.

#### GEZOND VLAMPATROON



- ❶ Flikkeringen van gele kleur.
- ❷ Donkerblauwe kleur. ❸ Levendig blauw.

#### GEEL OF ONREGELMATIG



Als er sprake is van een plotselinge val of een probleem met een lage vlam, raadpleeg dan het hoofdstuk Problemen oplossen.

#### ⚠ WAARSCHUWING

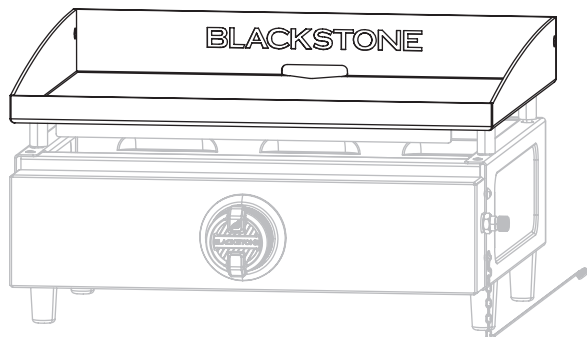
Als de brander niet ontsteekt terwijl de gastoevoerklep open is, blijft er gas uit de brander stromen en kan dit per ongeluk/onopzettelijk ontbranden met risico op letsel.

**Als de ontsteking niet binnen 5 seconden plaatsvindt:**

1. Draai de regelknop van de brander UIT.
2. Wacht 5 minuten.
3. Herhaal de aansteekprocedure.

Als de brander niet ontsteekt, raadpleeg dan het hoofdstuk Problemen oplossen.

# INSTRUCTIES VOOR HET KRUIDEN VAN DE GRILL



## WAS UW BAKPLAAT VOOR HET EERSTE GEbruIK

### LET OP

Zeep zal een doorgewinterde bakplaat verpesten. Dit is de enige keer dat u zeep op het kookoppervlak van de grillplaat moet gebruiken.

**STAP 01** Was het kookoppervlak van de bakplaat met heet zeepsoep.

**STAP 02** Spoel en droog volledig.

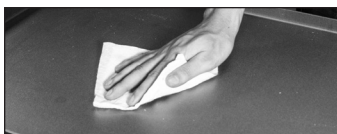
## JE BAKPLAAT KRUIDEN



### VIDEO-INSTRUCTIES

Een nieuwe Blackstone-bakplaat kruiden  
[youtube.com/watch?v=VspmDVnj2pl&t=3s](https://www.youtube.com/watch?v=VspmDVnj2pl&t=3s)

**STAP 01** Veeg eventueel vuil van de grillplaat.



**STAP 02** Zet je bakplaat op hoog vuur totdat de bovenkant van je bakplaat van kleur verandert. (~10 minuten)

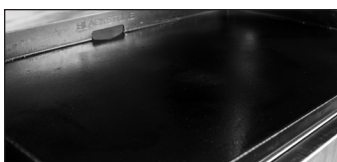


**STAP 03** Gebruik een tang om een papieren handdoek of katoenen doek vast te houden en verdeel 2-3 eetlepels van je kruidenolie over de hele bakplaat.

Denk er bij het kruiden van je grillplaat aan om een dunne en gelijkmatige laag olie te gebruiken - hoe dunner de laag olie, hoe gemakkelijker het zal zijn om het af te branden.



**STAP 04** De grillplaat is klaar voor een nieuwe laag olie als hij stopt met roken. Herhaal **STAP 03** 3-4 keer, of totdat het oppervlak van de bakplaat zwart is.



### LET OP

Bewaar tijdens gebruik geen voorwerpen binnen 8 cm van de bovenkant van de bakplaat.

### WELKE OLIE KAN IK HET BESTE GEbruIKEN?

- Blackstone kruiden- en gietijzeren conditioner.
- Elke plantaardige frituurolie.
- Gesmolten dierlijk vet zonder toevoegingen.



### ⚠ VOORZICHTIG

Gooi de votten/handdoeken die worden gebruikt om olie op uw bakplaat te verspreiden op de juiste manier weg om brand te voorkomen die zou kunnen ontstaan als gevolg van zelfontbranding.

Onder de juiste omstandigheden kan achtergebleven olie op votten of handdoeken lang nadat deze uit een warmtebron is verwijderd, oxideren. Het oxidatieproces zelf produceert warmte die, als deze niet wordt afgevoerd, zich kan ophopen en ervoor kan zorgen dat de votten/handdoeken en het omringende materiaal ontbranden.

## PROBLEMEN MET KRUIDEN OPLOSSEN

### ER IS EEN BRUINACHTIG RESIDU OP HET OPPERVLAK VAN DE BAKPLAAT:

#### MOGELIJKE OORZAKEN

- Er is te veel olie gebruikt.
- Je hebt de verwarming te snel uitgezet.

#### OPLOSSING

**STAP 01** Zet je bakplaat op hoog en laat hem 10-15 minuten opwarmen.

**STAP 02** Schraap zoveel mogelijk van de ingedikte en gedeeltelijk gekookte olie weg.

**STAP 03** Kruid opnieuw met een heel dun laagje olie.

### DE RANDEN VAN HET BAKPLAATOPPERVLAK ZIJN NIET ZWART:

Nadat je je bakplaat voor meerdere koks hebt gebruikt, wordt de smaak gelijkmatiger en beter.

## ROEST VOORKOMEN

Gebruik je bakplaat regelmatig. Elke keer dat je kookt, voeg je de kruiden toe, waardoor roest minder waarschijnlijk wordt.

### LET OP

Als u in een vochtig of kustklimaat leeft, kan het zijn dat uw bakplaat vaker moet worden gekruid tussen gebruik.

Als er roest op het oppervlak van de bakplaat verschijnt, wrijf het dan weg met staalwol, schuurpapier met een lage korrel of de **Blackstone Pumice Stone** en breng het oppervlak opnieuw op smaak.



### VIDEO-INSTRUCTIES

Uw Blackstone Grillplaat herstellen  
[youtube.com/watch?v=thPE2lgnSil](https://www.youtube.com/watch?v=thPE2lgnSil)





## KOKEN OP JE BLACKSTONE

### ⚠️ VOORZICHTIG

This appliance will be hot during and after use. Use long-handled utensils and oven mitts/ protective gloves when handling potentially hot parts, including handles close to the appliance body, to protect against burns and splatters.

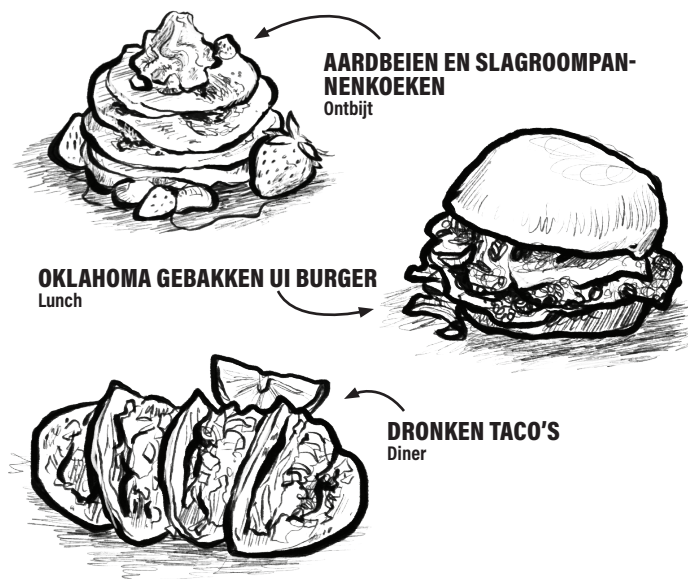
### VIDEORECEPTEN

Vind recepten en kooktips op:

🌐 [BlackstoneProducts.com/recipes](https://BlackstoneProducts.com/recipes)

📺 [youtube.com/BlackstoneGriddles](https://youtube.com/BlackstoneGriddles)

📱 [@blackstoneproducts](https://www.instagram.com/blackstoneproducts)



## VERZORGING EN ONDERHOUD

### ⚠️ WAARSCHUWING

Vetophoping kan brand veroorzaken. Reinig elk onderdeel van het apparaat dat heet wordt en vetophoping vertoont na elk gebruik.

### ⚠️ VOORZICHTIG

Alle schoonmaak- en onderhoudswerkzaamheden moeten worden uitgevoerd wanneer het apparaat is afgekoeld en alles is uitgeschakeld.

- Gebruik geen schuursponsje op gebieden met afbeeldingen.
- Als een borstel wordt gebruikt om een van de kookoppervlakken schoon te maken, zorg er dan voor dat er geen losse haren op de kookoppervlakken achterblijven voordat u gaat koken.

### TOESTELLICHAAM:

Wassen met warm zeepsop en onmiddellijk droogwrijven met een niet-schurende doek. (Laat reinigingsmiddelen niet langdurig op een poreus oppervlak rusten.)

### LET OP

Gebruik geen citrisol, schuurmiddelen of geconcentreerde reinigers op het apparaat. Dit kan leiden tot schade aan en defecten aan onderdelen.

### APPARAATOPSLAG

### ⚠️ WAARSCHUWING

Verplaats het apparaat niet wanneer het in gebruik is. Laat het apparaat afkoelen tot 115 °F (45 °C) voordat u het verplaatst of opbergt.

Opslag van een apparaat binnenshuis is alleen toegestaan als de gastoevoer is losgekoppeld en van het apparaat is verwijderd.

### GIDS VOOR HET PASEN VAN DE HOES

Dek uw apparaat altijd af wanneer u het buiten opbergt.



Om een hoes te vinden die bij uw apparaat past, gaat u naar [BlackstoneProducts.com/support](https://BlackstoneProducts.com/support).

## JE GRILLPLAAT SCHOONMAKEN

Maak de grillplaat na elk gebruik schoon, terwijl deze nog warm is.

- Gebruik geen zeep op de grillplaat. Dit zal de kruiden van de bakplaat vernietigen.



### VIDEO-INSTRUCTIES

Hoe u uw Blackstone-bakplaat schoonmaakt  
[youtube.com/watch?v=-ledu9z6NPY](https://www.youtube.com/watch?v=-ledu9z6NPY)

**STAP 01** Duw losse voedselresten in de vetbeker met een spatel of een rechte metalen schraper.



**STAP 02** Veeg de grillplaat af met keukenpapier.



**STAP 03** Breng een paar eetlepels water aan op het oppervlak van de bakplaat en schraap het water en het vuil in de vetbeker. (Gebruik voor vastzittende etensresten een beetje grof zout.)



**STAP 04** Veeg opnieuw met een papieren handdoek en droog volledig.



**STAP 05** Breng een dunne laag bakolie aan om de kruiden te behouden en de grillplaat te beschermen.



## MAAK JE VETBEKER LEEG

- De vetbeker moet na elk gebruik worden verwijderd en geleegd.

### ⚠ VOORZICHTIG

De vetbeker zal tijdens en na gebruik heet zijn. Verwijder de vetbeker pas als de bakplaat volledig is afgekoeld.

## DE BRANDEREENHEID REINIGEN

Om de kans op "flash-back" te verkleinen, moet de onderstaande procedure minstens één keer per maand worden gevolgd wanneer spinnen het meest actief zijn of wanneer uw apparaat gedurende een bepaalde tijd niet is gebruikt.



### VIDEO-INSTRUCTIES

Hoe u uw branderbuis schoonmaakt  
[youtube.com/watch?v=xKQTCrFCzf8](https://www.youtube.com/watch?v=xKQTCrFCzf8)

**STAP 01** Maak de regelaar los van de LPG-cilinder door de snelkoppelingsmoer met de klok mee te draaien.

- Verwijder de bakplaat.
- Verwijder de brander door aan de branderclip te trekken. Gebruik een schroevendraaier of een punttang.

**STAP 02** Til de brander voorzichtig omhoog en weg van de opening van de gasklep.

**STAP 03** Reinig de binnenkant van de brander:

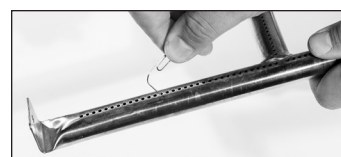
- Laat een flessenborstel (geen staalborstel) of een stijve draad die in een kleine haak is gebogen, meerdere keren door elke branderbuis lopen.
- Blaas met perslucht door de branderbuis en uit de branderpoorten (draag oogbescherming).



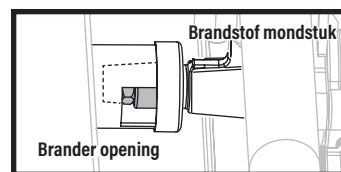
**STAP 04** Borstel het hele buitenoppervlak van de brander om vuil te verwijderen.



**STAP 05** Reinig geblokkeerde poorten met een stijve draad, zoals een open paperclip.



**STAP 06** Plaats de branders voorzichtig terug en bevestig ze opnieuw, met aandacht voor de plaats van de ontstekingsnaald.



⚠ De gasrail-brandstofsproeier moet weer in de branderopening worden gestoken.





# PROBLEEMOPLOSSEN

## PROBLEMEN MET ONTSTEKING OPLOSSEN

### BRANDER ONTSTEKT NIET:

Als de ontsteking niet binnen 5 seconden plaatsvindt:

**STAP 01** Draai de regelknop van de brander UIT.

**STAP 02** Wacht 5 minuten.

**STAP 03** Herhaal de verlichtingsprocedure.

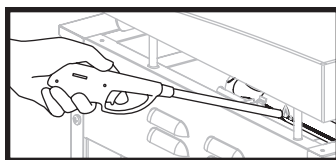
Als dit niet werkt, probeer dan om de oorzaak te achterhalen uw apparaat aan te steken met een lucifer.

### INSTRUCTIES VOOR WEDSTRIJDVERLICHTING

Controleer voor het begin op gaslekken. Open kap (indien van toepassing).

**STAP 01** Draai de regelknop naar de UIT-stand.

**STAP 02** Steek een lucifer (of lange aansteker) aan die niet korter is dan 11 inch lang.



**STAP 03** Plaats de vlam naast de brander.

**STAP 04** Druk de bedieningsknop in en draai hem om het gas te laten stromen. Zorg ervoor dat de brander brandt en blijft branden.

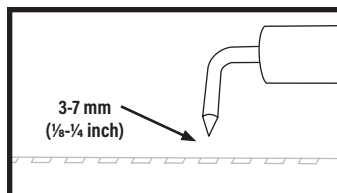
### ALS U UW APPARAAT KUNT ONTSTEKEN MET EEN LUCIFER:

#### MOGELIJKE OORZAKEN

Ontstekingsdraad verkeerd uitgelijnd.

#### OPLOSSING

Zorg ervoor dat de ontstekingsnaald 3-7 mm (1/8-1/4 inch) verwijderd is van de brander en uitgelijnd is met de brandergaten.



Schade aan het ontstekingsstelsel.

Neem contact op met de klantenservice voor vervangende onderdelen.

### ALS U UW APPARAAT NIET MET EEN LUCIFER KUNT ONTSTEKEN:

#### MOGELIJKE OORZAKEN

Branderbuizen krijgen geen brandstof.

#### OPLOSSING

Reinig de brandereenheid om de obstructie te verwijderen.

## GASSTROOM PROBLEEMOPLOSSING

### HET APPARAAT BEREIKT GEEN HOGE TEMPERATUUR OF WARMT ONGELIJKMATIG OP:

- De vlammen van de brander zijn geel of onregelmatig.
- De brandervlammen beginnen sterk en dalen dan onmiddellijk naar laag, zelfs als de brander op de hoogste stand staat.
- De vlamhoogte neemt af wanneer een tweede brander wordt aangestoken.
- Vlammen strekken zich niet uit over de volledige lengte van de brander, of lopen slechts aan één kant van de brander.
- Brander vlammen zijn inconsistent.

#### MOGELIJKE OORZAKEN

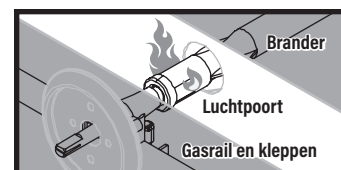
Verstopingen in de brander, gasstralen of brandstofrail.

Gasfles is leeg of bijna leeg.

#### OPLOSSING

Reinig de brander, de jets en de gas slang.

Vul de gasfles opnieuw of vervang deze.



- Er komt een vlam uit de luchtpoort.

#### MOGELIJKE OORZAKEN

Iets blokkeert de venturi in de brander.

#### OPLOSSING

Reinig de brandereenheid om de obstructie te verwijderen.

Deze pagina is opzettelijk leeg gelaten

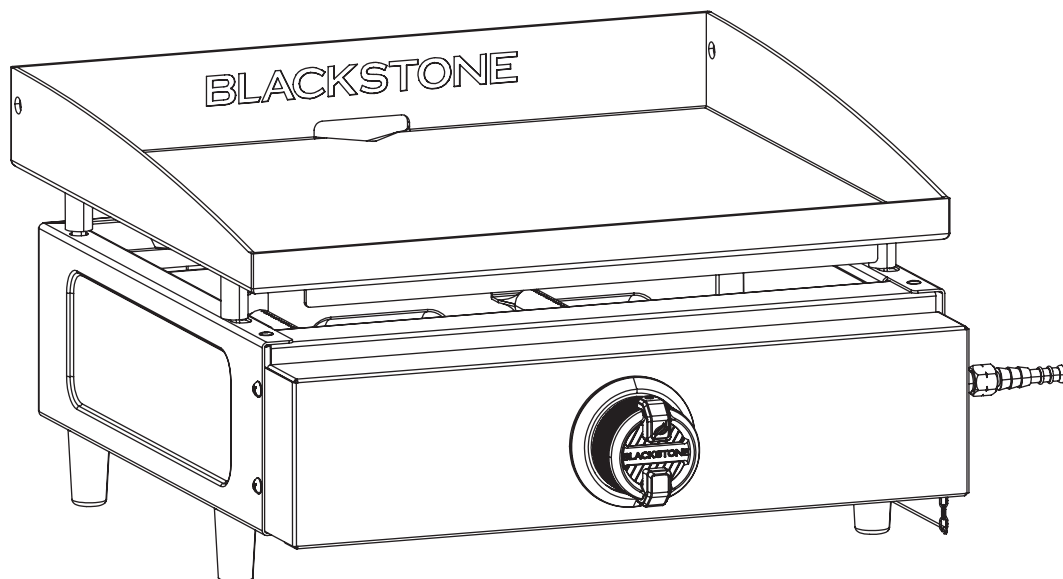


Deze pagina is opzettelijk leeg gelaten



Dit product kan worden beschermd door een of meer verleende Amerikaanse en/of internationale patenten en er kunnen patentaanvragen in behandeling zijn.

Ga voor meer informatie naar: [BlackstoneProducts.com/patents](https://BlackstoneProducts.com/patents)



ÄGARHANDBOK | MONTERINGSANVISNING FÖR UTMOMHUSGASAPPARAT

# 17" STEKPLATTAN

## INNEHÅLLSFÖRTECKNING

IVIKTIG SÄKERHETSINFORMATION .....	02
KUNDSUPPORT .....	03
MONTERINGSGUIDE .....	04
ANVÄNDA DIN BLACKSTONE .....	07
FELSÖKNING .....	13

### VIKTIGT:

Använd endast utomhus.

Läs anvisningarna innan du använder produkten.

Spara den här handboken för framtida referens.

Kontakta återförsäljaren eller gasolföretaget om du har frågor om montering eller drift.

### FORKLARING AV SÄKERHETSMEDELANDEN

#### ⚠ FARA

Indikerar en farlig situation som, om den inte undviks, kommer att leda till dödsfall eller allvarliga personskador.

#### ⚠ FÖRSIKTIGHET

Indikerar en farlig situation som, om den inte undviks, kan leda till dödsfall eller allvarliga personskador.

#### ⚠ VARNING

Indikerar en farlig situation som, om den inte undviks, kan leda till mindre eller måttliga personskador.

#### OBSERVERA

Anger information som anses viktig, men inte riskrelaterad (t.ex. meddelanden relaterade till skador på egendom).

# VIKTIG SÄKERHETSINFORMATION

## VIKTIG SÄKERHETSINFORMATION

Om du känner lukten av gas:  
 1. Stäng av gasförsörjningen vid gascylindern.  
 2. Släck alla öppna lågor och använd inga elektriska produkter.  
 3. Ventilera området.  
 4. Kontrollera om det finns läckor enligt beskrivningen i den här handboken.  
 5. Kontakta omedelbart återförsäljaren eller gasleverantören om lukten kvarstår.



## FÖRSIKTIGHETSÅTGÄRDER

- Läckagetesta alla anslutningar efter varje tankpåfyllning.
- Kontrollera aldrig om det finns läckor med öppen låga. Använd alltid en lösning med vatten och diskmedel.
- Du får INTE förvara eller använda bensin eller andra brandfarliga ångor och vätskor i närheten av denna produkt.
- En gascylinder som inte har anslutits för att användas får inte förvaras i närheten av denna eller någon annan produkt.



## RISK FÖR BRAND ELLER EXPLOSION KAN UPPSTÅ OM ANVISNINGARNA IGNORERAS.

Det är konsumentens ansvar att se till att produkten är korrekt monterad, installerad och omhändertagen. Underlåtenhet att följa anvisningarna i den här handboken kan leda till person- och/eller egendomsskador.

<b>MODELL/TYPNR.</b>	2142EU			  2531-23      8504-23
<b>VÄRMEINGÅNG:</b>	4 x 4.3 kW	<b>TOTAL:</b>	17.2 kW (1250.7 g/h)	
<b>GASKATEGORI:</b>	<b>I3+(28~30/ 37)</b>		<b>I3B/P(30)</b>	<b>I3B/P(50)</b>
<b>GASTYPER:</b>	Butan (G30)	Propan (G31)	G30, G31 eller blandningar av dessa	G30, G31 eller blandningar av dessa
<b>GASTRYCK:</b>	(28-30) mbar	37mbar	(28-30) mbar	50 mbar
<b>PIN-KOD:</b>	<b>CE:</b> 2531DN-0117		<b>UKCA:</b> 8504D0-0003	<b>UKCA:</b> 8504D0-0003
	BE, FR, IT, LU, IE, GB, GR, PT, ES, CY, CZ, LT, CH, SI, LV, TR		LU, NL, DK, FI, SE, CY, CZ, EE, LT, MT, SK, SI, BG, IS, NO, HR, RO, IT, HU, LV, GR	DE, AT, CH, SK

Använd endast utomhus.

Läs anvisningarna innan du använder produkten.

**⚠ VARNING:** Åtkomliga delar kan vara mycket varma. Håll små barn borta.

Produkten måste hållas på avstånd från brandfarliga material under användning.

Flytta inte produkten under användning.

Stäng av gasförsörjningen vid gascylindern efter användning.

Modifiera inte produkten.

## REGULATOR- OCH SLANGKRAV

- Använd endast regulatorer och slangar som är godkända för gasol vid ovanstående tryck.
- Den slang som används måste överensstämma med den relevanta standarden för användningslandet.
- Använd en lämplig regulator som är certifierad enligt BSEN 12864 eller EN 16129.
- Se till att regulatorn och den flexibla slangen överensstämmer med lokal kod.
- Längden på den flexibla slangen får inte överstiga 1,5 meter.
- I Finland får längden inte överstiga 1,2 meter.
- Slangen ska certifieras enligt gällande EN-standard och följa lokal kod.

Kontakta gaslåterförsäljaren för information om en lämplig regulator för gascylindern.

## ⚠ VARNING

Det är inte säkert att använda fel regulator eller slang. Kontrollera alltid att du har rätt delar innan du använder produkten.

Den här produkten är endast lämplig för användning med lågtrycksbutan eller propangas- eller gasolblandningar samt med en lämplig lågtrycksregulator via en flexibel slang.

Den förväntade livslängden för regulatorn och slangen uppskattas till två år.



# KUNDSUPPORT

## KONTAKTA OSS

För alla frågor, förfrågningar eller kundsupport, vänligen kontakta:

**Griddle Masters Europe ApS**

**Blackstone Europe**

**Tel. +45 2424 7709**

**Nordre Strandvej 119, 3150 Hellebæk**

**Denmark**

**[www.blackstone-europe.com](http://www.blackstone-europe.com)**

## TVÅ ÅRS GARANTI

North Atlantic Imports, LLC garanterar denna produkt mot defekter i material och utförande under en period av två (2) år från det ursprungliga inköpsdatumet vid normal användning. I den mån sådana defekter uppstår kommer North Atlantic Imports, LLC, efter eget gottfinnande, att tillhandahålla lämpliga ersättningsdelar utan kostnad.

Under inga omständigheter ska North Atlantic Imports, LLC hållas ansvarigt för följskador, indirekta eller oförutsedda skador till följd av installation, användning eller fel på produkten.

Denna garanti täcker INTE:

- Inspektionskostnader eller arbete för utbyte av eventuella defekta delar;
- Kosmetiska defekter som inte påverkar produktens prestanda eller integritet;
- Normalt slitage;
- Skador på grund av vandalism; naturhandlingar, inklusive men inte begränsat till vind, stormar, hagel, översvämningar;
- Felaktig montering, installation eller användning;
- Missfärgning eller blekning av ytan som ett resultat av exponering för kemikalier, spill, pool eller saltvatten;
- Korrosion/rost.

Denna produkt har designats för säkerhet och kvalitet. Alla ändringar som görs på originalprodukten kan äventyra dess strukturella integritet eller funktion och kan leda till produktfel eller personskada. Som sådan ogiltigförklarar ändring av denna produkt alla garantier.

Denna produkt är ENDAST avsedd för BOSTADSANVÄNDNING och är inte för kommersiella ändamål, kontraktsändamål eller andra icke-bostadsändamål. North Atlantic Imports, LLC fransäger sig alla andra utfästelser och garantier av något slag, uttryckliga eller underförstådda.

Garantin gäller den ursprungliga köparen och kan inte överlåtas. Den gäller inte för tillbehör eller delar som inte levereras med produkten, för köp av displaymodeller, eller för produkter som säljs på återförsäljning eller "i befintligt skick". Du kan dock ha andra specifika juridiska rättigheter baserade på lagarna i din specifika stat eller ditt land där du bor.

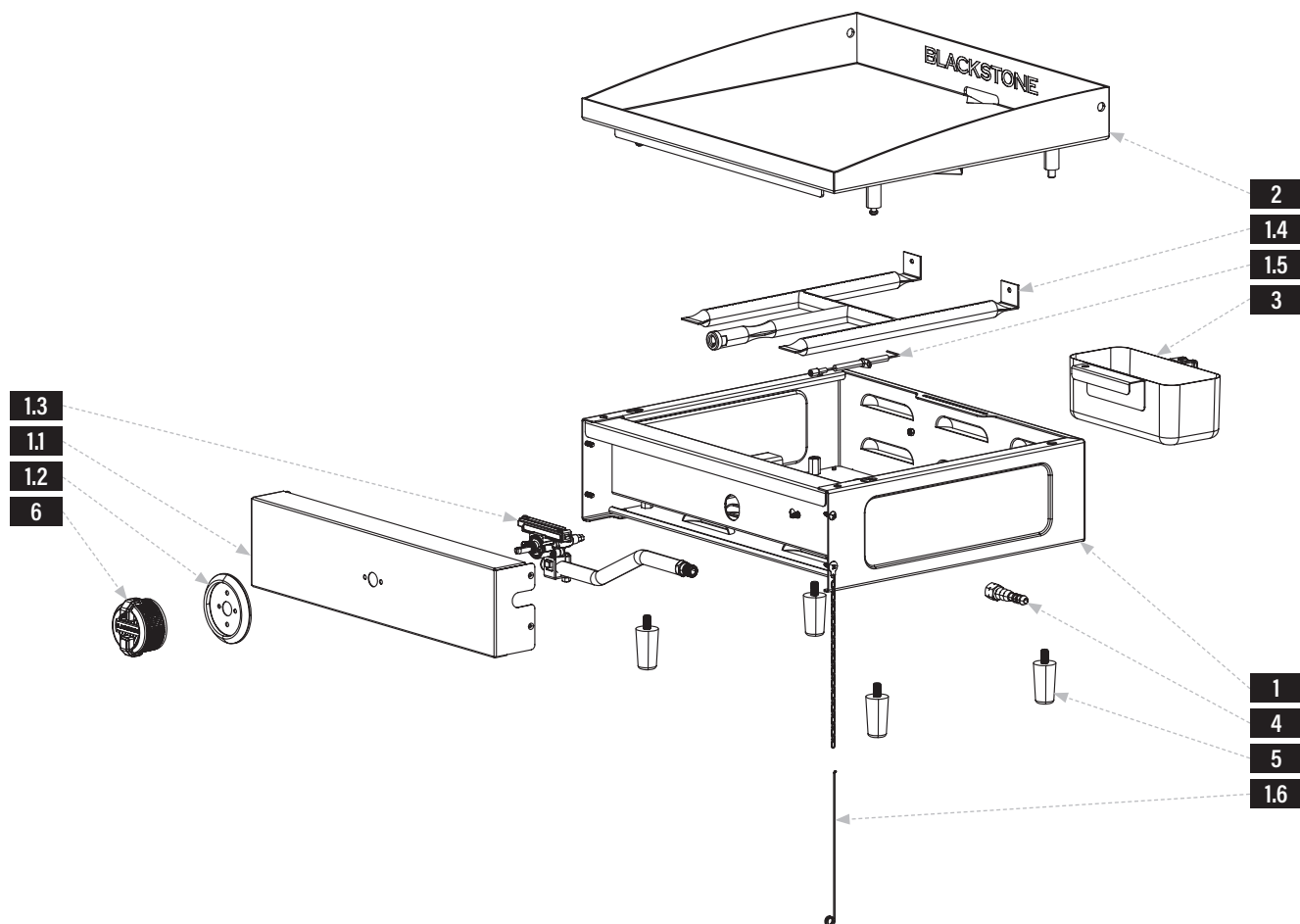
För att aktivera din garanti, registrera din produkt på

**[blackstone-europe.com/pages/product-registration](http://blackstone-europe.com/pages/product-registration)**

North Atlantic Imports, LLC förbehåller sig rätten att ändra eller modifiera denna garanti när som helst.

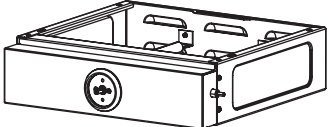
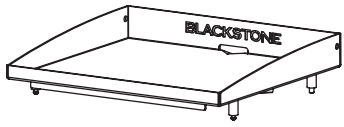
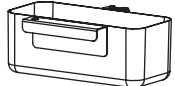
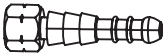


# MONTERINGSGUIDE

## SPRÄNGSKISS



### LISTA ÖVER DELAR

DELAR	#
1.1 Kontrollpanel	1
1.2 Kontrollknappsram	1
1.3 Gasstång	1
1.4 H brännare	1
1.5 Tändnål	1
1.6 Tändstickshållare	1

<p><b>1</b> Kropp (1 st)</p> 	<p><b>2</b> Grillplatta (1 st)</p> 		
<p><b>3</b> Smörjkopp (1 st)</p> 	<p><b>4</b> Slanghulling (1 st)</p> 	<p><b>5</b> Grillfötter (4 stycken)</p> 	<p><b>6</b> Kontrollknapp (1 st)</p> 



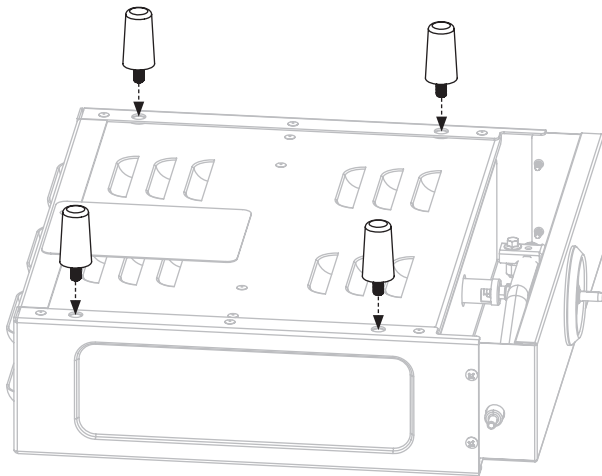
# MONTERINGSSIDOR

Hitta ett stort, rent område att montera produkten på.  
Ta bort allt förpackningsmaterial innan du monterar den.

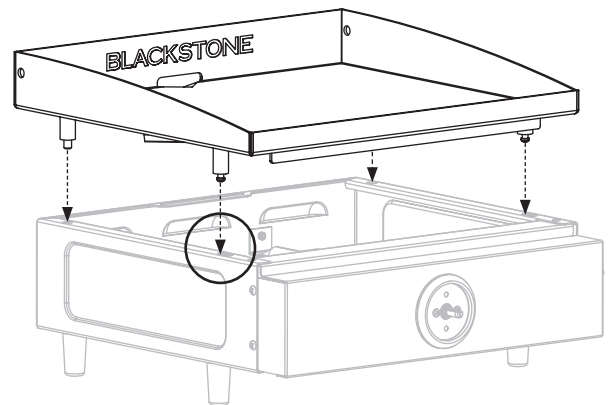
## ⚠ FÖRSIKTIGHET

Vassa kanter. Använd handskar när du monterar produkten.

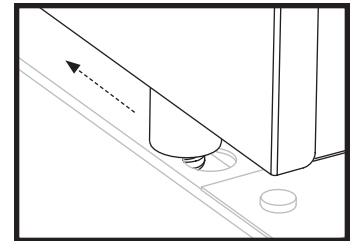
**STEG 01** Placera grillen upp och ner på en slät plan yta. Trä in de fyra (4) grillfötterna i botten på grillen.



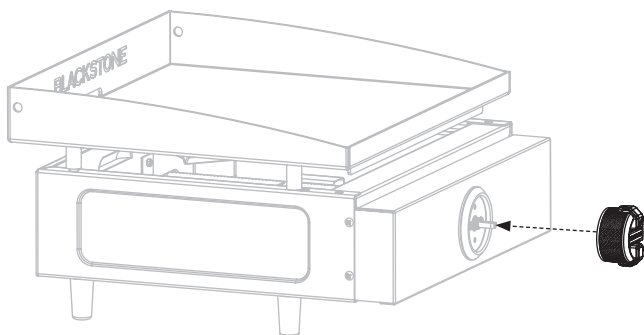
**STEG 02** Ställ grillen på fötterna. Placera grillens topp på gallerkroppen genom att rikta in de fyra stiften mot hålen i kroppen.



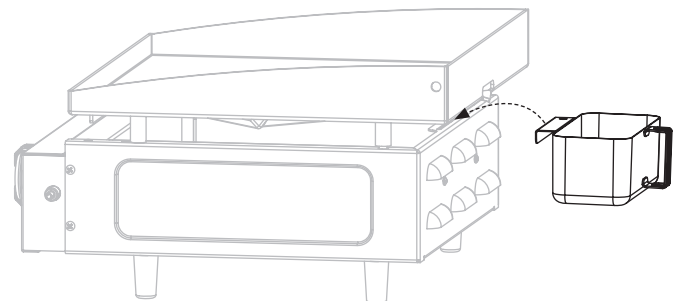
Se till att de främre stiften sitter i hålen och tryck sedan bakåt på grillplattan.



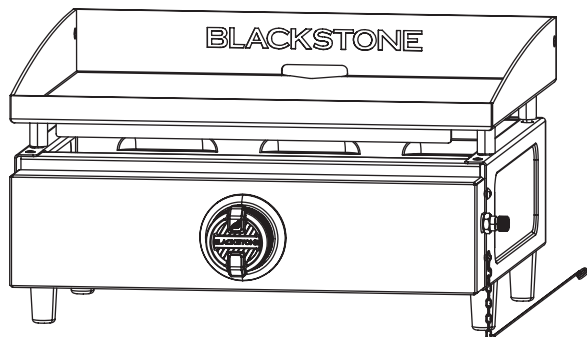
**STEG 03** Montera kontrollvredet genom att trycka det på plats i OFF-läget.



**STEG 04** Häng upp fettkoppen i skåran på baksidan av grillen.



**STEG 05** Fortsätt till att **ANVÄNDA DIN BLACKSTONE.**



***OBSERVERA***

Placera produkten på en värmebeständig och flamskyddad yta när den används.



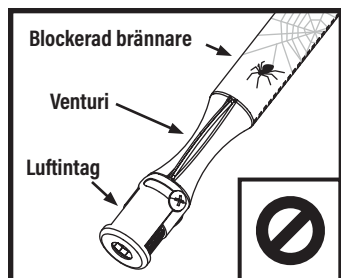
# ANVÄNDA DIN BLACKSTONE

## FÖRE TILLAGNING

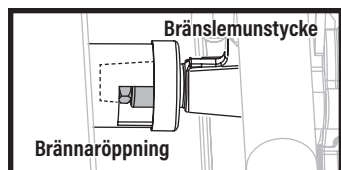
### KONTROLLERA BRÄNNARNA

Före anslutning och användning, se till att inget skräp har fastnat i, eller skadat, huvudet på gasflaskan, regulatören, slangen, brännaren och brännarpportarna.

Spindlar och insekter kan krypa in i och täppa till brännarna/venturiröret vid öppningen.



**⚠ VARNING**  
En igensatt brännare kan leda till brand under produkten. Brännarna ska tas bort och rengöras när blockeringar upptäcks.



**⚠** Se till att öppningen på gasske-nans bränslemunstycke är korrekt inkopplad i brännaröppningen.

### DEN LÄGSTA OMGIVANDE DRIFTSTEMPERATUREN ÄR -18 °C.

#### ⚠ FARA

Brandfarliga föremål kan antändas om de placeras i närheten av produkten.  
Håll produktområdet fritt från brännbara material, aerosolbehållare, bensin och andra brandfarliga ångor och vätskor.

#### ⚠ FÖRSIKTIGHET

Om produkten är försedd med en hållare för hushållspapper måste armen vara i öppet läge när produkten används.

### OM FETT ELLER ANNAT HETT MATERIAL DROPPAR PÅ VENTILERNA, SLANGEN ELLER REGULATÖRN:

**STEG 01** Stäng omedelbart av gasförsörjningen.

**STEG 02** Fastställ orsaken och åtgärda den.

**STEG 03** Rengör och inspektera ventil, slang och regulator.

**STEG 04** Utför ett läckagetest. (Se läckagetestanvisningarna)

## FÖRBERED DITT UTOMHUSOMRÅDE

### PRODUKTEN FÅR ENDAST ANVÄNDAS UTOMHUS.

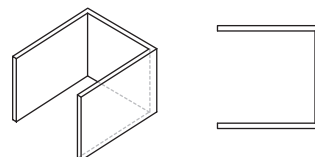
- Använd inte produkten i byggnader, garage eller andra slutna utrymmen.
- Montera inte produkten i eller på en båt.
- Montera inte produkten i eller på ett fritidsfordon.

### TÄCKTA UTOMHUSOMRÅDEN:

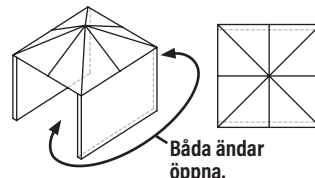
Alla öppningar måste vara permanent öppna. Skjutdörrar, garageportar, fönster eller avskärmade öppningar betraktas inte som permanenta öppningar.

En produkt anses vara utomhus om den är monterad med täckning som inte omfattar mer än följande:

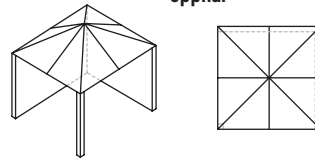
a. Med väggar på tre sidor, men utan tak.



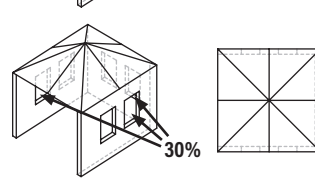
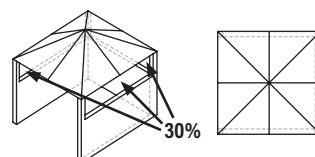
b. Inom ett delvist avskärmat område som har någon form av tak och högst två sidoväggar.



c. Sidoväggarna kan vara parallella, som i en passage, eller i rät vinkel mot varandra.

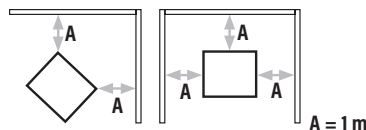


d. Inom ett delvist avskärmat område som omfattar ett tak och tre sidoväggar, så länge som 30 % eller mer av områdets horisontella omkrets är permanent öppet.



### HÅLL RÄTT AVSTÅND FRÅN BRÄNNBART MATERIAL.

- Använd inte den här produkten på eller under en balkong eller terrass som tillhör en lägenhet eller ett byggnadskomplex.
- Blockera inte flödet av förbrännings- och ventilationsluft.
- Använd inte produkten med mindre än en meters avstånd från produktens sidor och baksida till brännbara konstruktioner.



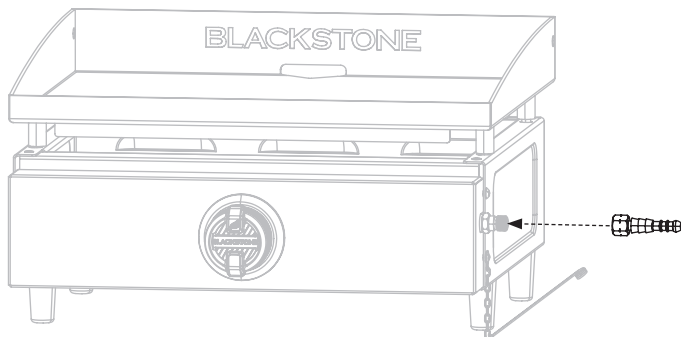
- Använd inte den här produkten under en konstruktion som är lättantändlig..

## FÄSTA BRÄNSLECYLINDERN FÄSTA REGULATORN

**STEG 01** Regulatorn och slangen måste vara korrekt anslutna till produkten. En skruvnyckel ska användas för att dra åt muttern på anslutningsgången.

Om du använder en bränsleklämma ska slanghullingen fästas på gasskenan.

(Hullingen är vänstergängad.)



**STEG 02** Om slangen byts ut måste den fästas på produkten och regulatoranslutningarna med slangklämmor.

### UNDVIK ATT VRIDA DEN FLEXIBLA SLANGEN NÄR PRODUKTEN ANVÄNDS.

- Se till att slangen inte är blockerad, böjd eller i kontakt med någon annan del av produkten, utöver vid anslutningen.
- Om slangen är sliten eller skadad måste den bytas ut.
- Kontrollera o-ringen av gummi på slangenshetens regulatorände minst en gång per år.
- Om den verkar sliten eller sprucken ska den bytas ut.
- Koppla loss regulatorn från cylindern (enligt instruktionerna som medföljer regulatorn) när produkten inte används.

## ANVISNINGAR FÖR LÄKAGETEST

**STEG 01** Förbered en läkagetestlösning på 6–9 deciliter genom att blanda en del diskmedel med tre delar vatten.

**STEG 02** Stäng av gasförsörjningen vid gascylinderventilen.

**STEG 03** Kontrollera att reglerventilen är inställd på "OFF".

**STEG 04** Anslut regulatorn till cylindern och ON/OFF-ventilen till brännaren. Se till att anslutningarna är säkra och slå sedan på gasen.

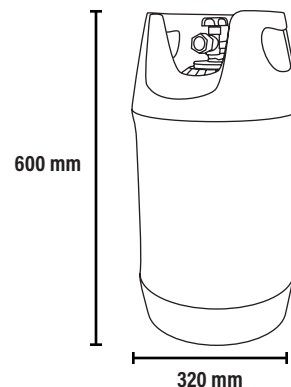
**STEG 05** Borsta diskmedelsvattnet på slangen och alla fogar. Om du ser bubblor har du en läcka som måste åtgärdas före användning. Testa igen efter att felet har åtgärdats.

**STEG 06** Stäng av gasförsörjningen vid gasbehållaren efter användning.

Om du upptäcker läckage igen och det inte kan åtgärdas ska du inte försöka laga eventuella hål, utan kontakta din gasförsäljare.

### KRAV PÅ GASOLCYLINDER

- Produkten kan användas med gascylindrar på mellan 11 och 15 kg.
- Gascylinderns maximala storlek ska vara: Diameter: 320 mm, höjd: 600 mm (inklusive regulator).
- Följ den tekniska information som anges i bruksanvisningen och ta hjälp av din lokala gasleverantör för att hitta en lämplig gascylinder för din produkt.



### GASCYLINDERNS SÄKERHET

- Gascylindern får inte tappas eller hanteras på ett oförsiktigt sätt.
- Om produkten inte används måste cylindern kopplas från.
- Sätt tillbaka skyddskåpan på cylindern efter att du har kopplat från cylindern från produkten.
- Gascylindern måste placeras utanför produktens huvuddel.
- Anslut alltid och byt alltid ut cylindern i ett välventilerat område och på avstånd från eventuella antändningskällor – aldrig i närheten av en låga, gnista eller värmekälla.
- Cylindrar måste förvaras utomhus i upprätt läge och oåtkomligt för barn. Cylindern får aldrig förvaras där temperaturen kan överskrida 50 °C. Förvara inte cylindern nära lågor, tändlågor eller andra antändningskällor. RÖK INTE NÄRA CYLINDERN.
- Se till att gascylinderns fack (om ett sådant finns) inte är blockerat. Håll det ventilerat och rent.
- Cylindern måste servas eller bytas ut vart tionde år. Datumet för den senaste servicen ska stämplas på flaskans hals.
- Placera alltid produkten och cylindern på en plan yta när de används direkt på marken.



# TÄNDNINGSANVISNINGAR

## 1. KONTROLLERA VENTILERNA

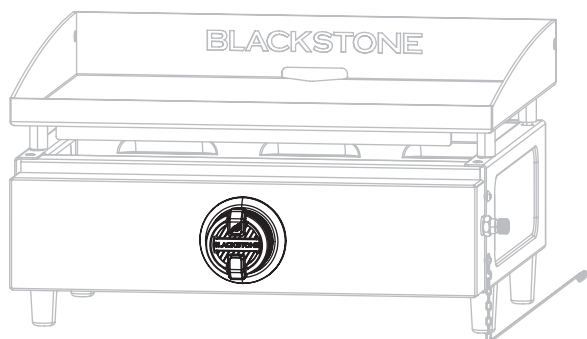
⚠ Se till att gasen är avstängd vid tillförselns avstängningsventil innan du kontrollerar apparatens ventiler.

**STEG 01** Vrid alla vred till ❶ av-läget.

**STEG 02** Tryck in vredet och släpp det. Vredet ska fjädra tillbaka.

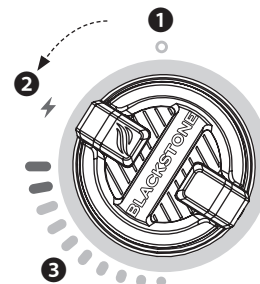
Om vredet inte fjädrar tillbaka ska ventilenheten bytas ut innan produkten används.

**STEG 03** Vrid vredet till LOW (LÅG) och vrid sedan tillbaka det till OFF (AV).



## 2. PIEZO-ELECTRIC GRIDDLE IGNITION

⚠ Luta dig inte över produkten medan du tänder brännaren.



### STEG 01

Slå PÅ gasen genom att vrida gascylinderns handhjul moturs 1 till 3 varv.

### STEG 02

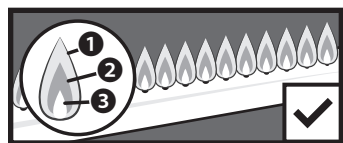
- ❶ Tryck in kontrollvredet för att starta gasflödet.
- ❷ Vrid kontrollvredet moturs för att aktivera startmotorn.
- ❸ Justera temperaturen till önskad nivå.

## 3. KONTROLLERA ALLTID BRÄNNARENS LÅGA FÖRE ANVÄNDNING.

**STEG 01** Tänd brännare och vrid vreden från HÖG till LÅG.

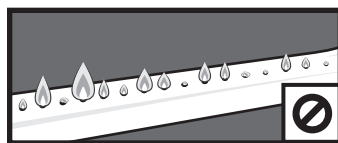
**STEG 02** Titta under matlagningssytan för att se brännare. När vredet är på HIGH, bör lågorna vara större än när vredet är på LOW.

### HÄLSOSAMT LÅGA MÖNSTER



- ❶ Flimmer av gul färg.
- ❷ Mörkblå färg. ❸ Vibrerande blå.

### GUL ELLER OREGELBUNDEN



Om det finns ett plötsligt fall eller problem med låg låga, se kapitlet om felsökning.

### ⚠ VARNING

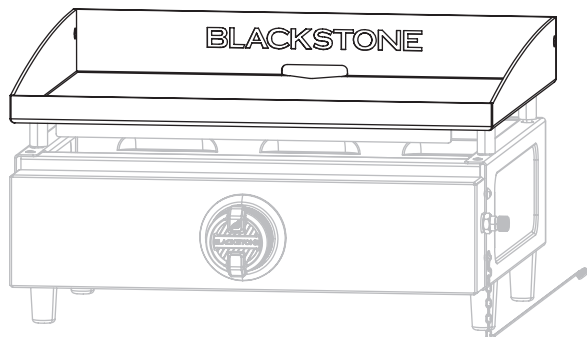
Om brännaren inte tänds med öppen gastillförselventil kommer gas att fortsätta att strömma ut ur brännaren och kan av misstag/oavsiktligt antändas med risk för skada.

### Om antändning inte sker inom 5 sekunder:

1. Stäng av brännarens kontrollreglage.
2. Vänta 5 minuter.
3. Upprepa belysningsproceduren.

Om brännaren inte tänds, se kapitlet Felsökning.

# ANVISNINGAR FÖR ATT BRÄNNA UR GRILLEN



## RENGÖR STEKPLATTAN INNAN DU ANVÄNDER DEN FÖR FÖRSTA GÅNGEN

### OBSERVERA

Diskmedel förstör en grill som bränts ur. Det här är den enda gången du ska använda diskmedel på grillens tillagningsyta.

**STEG 01** Rengör grillens tillagningsyta med varmt vatten och diskmedel.

**STEG 02** Skölj och låt torka helt.

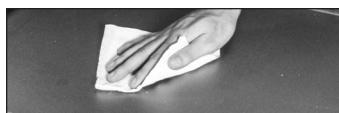
## KRYDDA DIN STEKPANNA



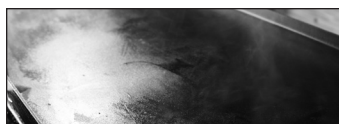
### INFORMATIONSVIDEO

Så här bränner du ur en ny Blackstone-grill  
[youtube.com/watch?v=VspmDVnj2pl&t=3s](https://www.youtube.com/watch?v=VspmDVnj2pl&t=3s)

**STEG 01** Torka bort eventuellt skräp från stekplattan.



**STEG 02** Ställ in grillen på hög värme tills stekplattan ändrar färg (ca tio minuter).

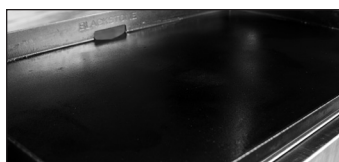


**STEG 03** Använd tänger för att hålla ett stycke hushållspapper eller bomullstrasa och sprid ut 2-3 matskedar av din urbränningsolja över hela stekplattan.

När du bränner ur stekplattan ska du komma ihåg att använda ett tunt och jämnt lager olja - ju tunnare oljelager, desto lättare blir det att bränna bort det.



**STEG 04** Stekplattan är redo för ytterligare ett lager olja när den inte längre röker. Upprepa **STEG 03** tre till fyra gånger eller tills grillytan är svart.



### OBSERVERA

Förvara inga föremål inom 8 cm (3 tum) från grillens topp när de används.

### VILKEN OLJA ÄR BÄST ATT ANVÄNDA?

- Blackstones produkt Seasoning and Cast Iron Conditioner.
- Valfri växtbaserad matlagingsolja.
- Renat animaliskt fett utan tillsatser.



### ⚠ FÖRSIKTIGHET

Kassera trasor/handdukar som används för att sprida olja på din grillplatta på rätt sätt för att förhindra bränder som kan uppstå på grund av spontan förbränning.

Under rätt förhållanden kan restolja på trasor eller handdukar oxidera långt efter att de tagits bort från en värmekälla. Oxidationsprocessen i sig producerar värme som, om den inte försvinner, kan byggas upp och kan få trasor/handdukar och omgivande material att antändas.

## FELSÖKNING AV URBRÄNNING

DET FINNS EN BRUNAKTIG REST KVAR PÅ GRILLYTAN:

### MÖJLIGA ORSAKER

- För mycket olja användes.
- Du stängde av värmen för tidigt.

### LÖSNING

**STEG 01** Vrid på grillen på hög nivå och låt den värmas upp i 10-15 minuter.

**STEG 02** Skrapa bort så mycket av den förtjocknade och delvis tillagade oljan som möjligt.

**STEG 03** Sprid ut ett nytt, mycket tunt lager olja.

### KANTERNA PÅ GRILLYTAN ÄR INTE SVARTA:

Efter att du har använt din grill upprepade gånger jämnar urbränningen ut sig och förbättras.

## FÖRHINDRA ROST

Använd din grill ofta. Varje gång du lagar mat ökar urbränningen, vilket minskar risken för rost.

### OBSERVERA

Om du bor på en plats med fuktigt klimat eller kustklimat kan det krävas mer frekventa urbränningar mellan användningarna.

10m rost uppstår på grillytan ska du gnida bort den med stålull, sandpapper med låg grovlek eller **Blackstone Pumice Stone** och bränna av ytan igen.



### INFORMATIONSVIDEO

Återställa stekplattan på din Blackstone-grill  
[youtube.com/watch?v=thPE2IgnSil](https://www.youtube.com/watch?v=thPE2IgnSil)



## LAGA MAT PÅ DIN BLACKSTONE

### ⚠ FÖRSIKTIGHET

Denna apparat kommer att vara varm under och efter användning. Använd redskap med långa handtag och ugnsvantar/skyddshandskar när du hanterar potentiellt heta delar, inklusive handtag nära apparatens kropp, för att skydda mot brännskador och stänk.

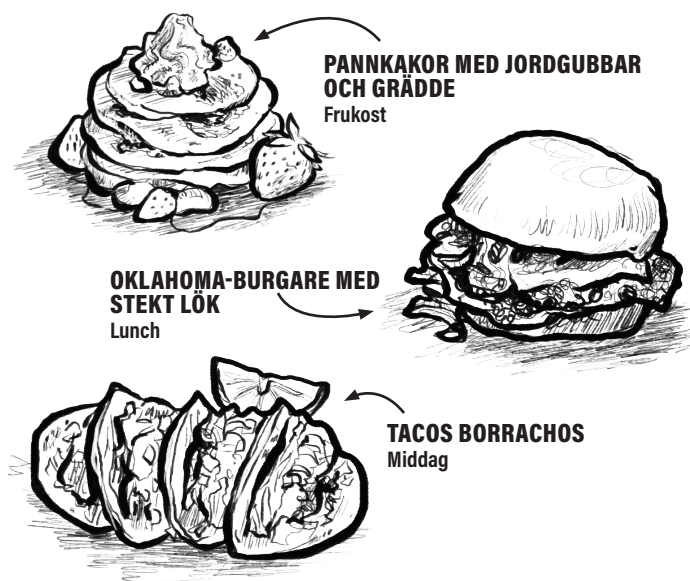
### VIDEORECEPT

Du hittar recept och matlagningstips på:

🌐 [BlackstoneProducts.com/recipes](https://BlackstoneProducts.com/recipes)

📺 [youtube.com/BlackstoneGriddles](https://youtube.com/BlackstoneGriddles)

📱 @blackstoneproducts



## SKÖTSEL OCH UNDERHÅLL

### ⚠ VARNING

Fett som ansamlas kan orsaka brand. Rengör alla delar av produkten som blir varma och där fett ansamlas efter varje användning.

### ⚠ FÖRSIKTIGHET

All rengöring och allt underhåll ska utföras när produkten har svalnat och allt är avstängt.

- Använd inte rengöringsredskap med slipande yta på skärmar och liknande områden.
- Om du använder en borste för att rengöra någon av tillagningsytorna ska du se till att inga lösa borststrån finns kvar på tillagningsytorna före tillagningen.

### PRODUKTENS HUVUDEL:

Tvätta med varmt vatten och diskmedel och torka omedelbart av med en trasa utan slipeffekt. (Lämna inte rengöringsmedel på någon porös yta under en längre tid.)

### OBSERVERA

Använd inte Citrisol, slipande rengöringsmedel eller koncentrerade rengöringsmedel på produkten. Detta kan leda till att delarna skadas eller inte fungerar som de ska.

## FÖRVARING AV PRODUKTEN

### ⚠ VARNING

Flytta inte produkten medan den används. Låt produkten svalna till 45 °C innan du flyttar eller ställer den på en plats för förvaring.

Det är tillåtet att förvara produkten inomhus enbart om gasförsörjningen kopplas bort och tas bort från produkten.

### PASSFORMSGUIDE FÖR ÖVERDRAG

Täck alltid över produkten när den förvaras utomhus.



Du hittar ett överdrag som passar din produkt på [BlackstoneProducts.com/support](https://BlackstoneProducts.com/support).



## RENGÖRA STEKPLATTAN

Rengör stekplattan efter varje användning, medan den fortfarande är varm.

- Använd inte diskmedel på stekplattan. Detta förstör grillens urbränning.



### INFORMATIONSVIDEO

Så här rengör du din Blackstone-grill  
[youtube.com/watch?v=-ledu9z6NPY](https://www.youtube.com/watch?v=-ledu9z6NPY)

**STEG 01** Skrapa av lösa matrester i fettbehållaren med en spatel eller rak metallskrapa.



**STEG 02** Torka av stekplattan med hushållspapper.



**STEG 03** Applicera några matskedar vatten på grillytan och skrapa sedan ned vattnet och resterna i fettbehållaren.

(Använd lite grovsalt för att avlägsna rester av livsmedel som fastnat.)



**STEG 04** Torka ytan med hushållspapper igen och se till att den blir helt torr.



**STEG 05** Applicera ett tunt lager matolja för att bibehålla effekten av urbränningen och skydda stekplattan.



## TÖM FETTBEHÅLLAREN

Fettbehållaren måste tas bort och tömmas efter varje användning.

### ⚠ FÖRSIKTIGHET

Fettbehållaren kommer att vara varm under och efter användning. Ta inte bort fettbehållaren förrän grillens överdel har svalnat helt.

## RENGÖRA BRÄNNARENHETEN

För att minska risken för att en stor flamma slår upp när du tänds grillen ska du utföra proceduren nedan minst en gång i månaden under den period då spindlar är mest aktiva eller när produkten inte har använts under en viss tid.



### INFORMATIONSVIDEO

Så här rengör du brännarrören  
[youtube.com/watch?v=xKQTCrFCzf8](https://www.youtube.com/watch?v=xKQTCrFCzf8)

**STEG 01** Lossa regulatorenheten från gasolcyklern genom att vrida snabbkopplingsmuttern medurs.

- Ta bort stekplattan.
- Ta bort brännarna genom att dra i brännarklämman. Använd en skruvmejsel eller spetstång.

**STEG 02** Lyft försiktigt upp och bort brännarna från gasventilens öppning.

**STEG 03** Lossa försiktigt brännarna och ta bort dem:

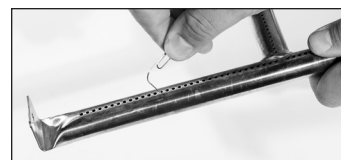
- Kör en flaskborste (inte en stålborste) eller en styv tråd böjd i en liten krok genom varje brännare flera gånger.
- Använd tryckluft för att blåsa genom brännarröret och ut ur brännarportarna (använd ögonskydd).



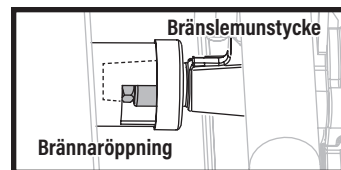
**STEG 04** Borsta hela brännarens yttre yta för att ta bort smuts.



**STEG 05** Rengör alla blockerade portar med en styv tråd, t.ex. ett öppet gem.



**STEG 06** Byt försiktigt ut brännarna och sätt tillbaka dem med hänsyn till tändnålens placering.



⚠ Se till att öppningen på gasskenans bränslemunstycke är korrekt inkopplad i brännaröppningen.





# FELSÖKNING

## FELSÖKNING AV TÄNDNING

### BRÄNNAREN TÄNDS INTE:

Om tändning inte sker inom fem sekunder:

**STEG 01** Vrid brännarens reglagevredet till OFF (AV).

**STEG 02** Vänta i fem minuter.

**STEG 03** Upprepa tändproceduren.

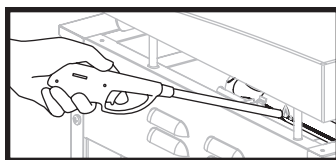
Om detta inte fungerar ska du försöka tända produkten med en tändsticka för att fastställa orsaken.

### ANVISNINGAR FÖR TÄNDNING MED TÄNDSTICKOR

Kontrollera om gasläckage förekommer innan du börjar. Öppet lock (om tillämpligt).

**STEG 01** Vrid kontrollvredet till läget OFF (AV).

**STEG 02** Tänd en tändsticka (eller lång tändare) som inte är kortare än 28 cm.



**STEG 03** Placera lågan bredvid brännaren.

**STEG 04** Tryck in och vrid kontrollvredet för att starta gasflödet. Se till att brännarna tänds och att de förblir tända.

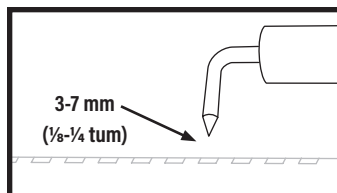
### OM DU KAN TÄNDA PRODUKTEN MED EN TÄNDSTICKA:

#### MÖJLIGA ORSAKER

Tändtråden sitter fel.

#### LÖSNING

Se till att tändningsnålen är placerad 3-7 mm (1/8-1/4 tum) från brännaren och i linje med brännarhålen.



Skador på tändsystemet.

Kontakta kundtjänst för reservdelar.

## FELSÖKNING AV GASFLÖDE

### APPARATEN UPPNÅR INTE HÖG VÄRME ELLER VÄRMER OJÄMNT:

- Brännarlågor är gula eller oregelbundna.
- Brännarens lågor är kraftiga till en början, men blir sedan genast svagare, även när brännaren är inställd på högt läge.
- Låghöjden sjunker när en andra brännare tänds.
- Lågorna omfattar inte hela brännaren eller förekommer endast på ena sidan av brännaren.
- Brännarens lågor är ojämna.

#### MÖJLIGA ORSAKER

Blockeringar i brännaren, gasmunstyckena eller bränsleskenan.

Gasflaskan är tom eller låg.

#### LÖSNING

Rengör brännaren, gasmunstyckena och gasslangen.

Fyll på eller byt ut gasflaskan.

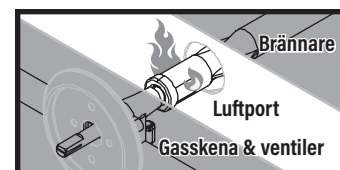
- En låga kommer ut ur luftspjället.

#### MÖJLIGA ORSAKER

Något blockerar venturin i brännaren.

#### LÖSNING

Rengör brännarenheten för att åtgärda blockeringen.



### OM DU INTE KAN TÄNDA PRODUKTEN MED EN TÄNDSTICKA:

#### MÖJLIGA ORSAKER

Brännarrören får inte bränsle.

#### LÖSNING

Rengör brännarenheten för att åtgärda blockeringen.

Den här sidan lämnas avsiktligt tom

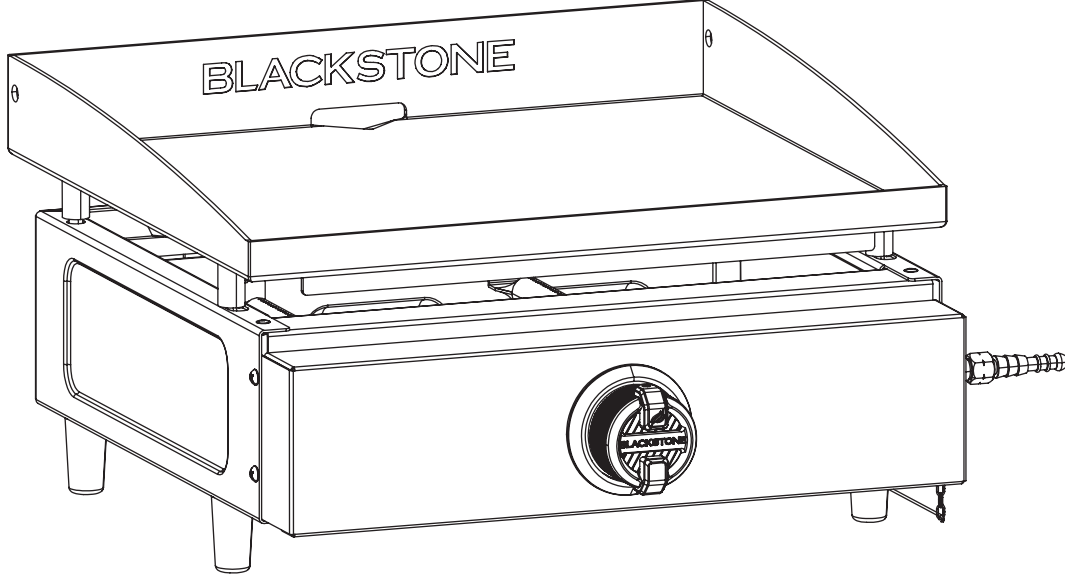
Den här sidan lämnas avsiktligt tom

The logo for Blackstone, featuring the word "BLACKSTONE" in a bold, sans-serif font. Above the letter "S" in "STONE", there is a stylized graphic of three flames or smoke plumes rising upwards. A registered trademark symbol (®) is located to the right of the word.

Denna produkt kan omfattas av ett eller flera utfärdade amerikanska och/eller internationella patent och kan inkludera patentansökningar under behandling.

För mer information, besök: [BlackstoneProducts.com/patents](https://BlackstoneProducts.com/patents)

TILLVERKARE: NORTH ATLANTIC IMPORTS, LLC 1073 W 1700 N, UT 84321 USA | BLACKSTONE ÄR ETT REGISTRERAT VARUMÄRKE SOM TILLHÖR NORTH ATLANTIC IMPORTS, LLC  
IMPORTERAD AV GRIDDLE MASTERS, NORDRE STRANDVEJ 119, 3150 HELLEBAEK, DANMARK



KULLANIM KILAVUZU | DIŐ MEKAN GAZ CİHAZI İÇİN MONTAJ TALİMATLARI

# 17" TAVA

## İÇİNDEKİLER

ÖNEMLİ GÜVENLİK BİLGİSİ.....	02
MÜŐTERİ DESTEĐİ .....	03
MONTAJ KILAVUZU.....	04
BLACKSTONE'UNUZU KULLANMA.....	07
SORUN GİDERME.....	13

### ÖNEMLİ:

Sadece açık havada kullanın.

Cihazı kullanmadan önce talimatları okuyun.

Bu kılavuzu ileride başvurmak üzere saklayın.

Montaj veya çalıştırma ile ilgili herhangi bir sorunuz varsa, satıcınıza veya LPG Gaz Şirketine danışın.

### GÜVENLİK UYARI ANAHTARI

#### ⚠ TEHLİKE

ÖnlenmediĐi takdirde ölüm veya ciddi yaralanmayla sonuçlanacak tehlikeli bir durumu belirtir.

#### ⚠ DİKKAT

ÖnlenmediĐi takdirde küçük veya orta dereceli yaralanmayla sonuçlanabilecek tehlikeli bir durumu belirtir.

#### ⚠ UYARI

ÖnlenmediĐi takdirde ölüm veya ciddi yaralanmayla sonuçlanabilecek tehlikeli bir durumu belirtir.

#### DUYURU

Önemli kabul edilen ancak tehlikeyle ilgili olmayan bilgileri gösterir (örn. maddi hasarla ilgili mesajlar).



# ÖNEMLİ GÜVENLİK BİLGİSİ

GÜVENLİĞİNİZ İÇİN	ÖNLEMLER
<p>Gaz kokusu alırsanız:</p> <ol style="list-style-type: none"> <li>1. Gaz silindirindeki gaz beslemesini kapatın.</li> <li>2. Tüm çıplak alevleri söndürün; herhangi bir elektrikli aleti çalıştırmayın.</li> <li>3. Alanı havalandırın.</li> <li>4. Bu kılavuzda ayrıntıları verildiği şekilde sızıntı olup olmadığını kontrol edin.</li> <li>5. Koku devam ederse, derhal bayinize veya gaz tedarikçinize başvurun.</li> </ol>	<ol style="list-style-type: none"> <li>1. Her depo dolumundan sonra tüm bağlantılarda sızıntı testi yapın.</li> <li>2. Sızıntı olup olmadığını asla çıplak alevle kontrol etmeyin, her zaman sabunlu su çözümü kullanın.</li> <li>3. Bu cihazın yakınında benzin veya diğer yanıcı buhar ve sıvıları saklamayın veya kullanmayın.</li> <li>4. Kullanım için bağlı olmayan herhangi bir gaz tüpü, bu veya başka herhangi bir cihazın yakınında saklanmamalıdır.</li> </ol>



## TALİMATLAR DİKKATE ALINMAZSA TEHLİKELİ YANGIN VEYA PATLAMA NEDENİ OLABİLİR.

Cihazın doğru bir şekilde monte edildiğini, kurulduğunu ve bakımının yapıldığını görmek tüketicinin sorumluluğundadır. Bu kılavuzdaki talimatlara uyulmaması, yaralanmaya ve/veya maddi hasara neden olabilir.

MODEL/TIP NO.	2142EU			 2531-23	 8504-23
ISI GİRİŞİ:	1 x 3.5 kW	TOPLAM: 3.5 kW (254.5 g/h)			
GAZ KATEGORİSİ:	<b>I3+(28~30/ 37)</b>		<b>I3B/P(30)</b>	<b>I3B/P(50)</b>	
GAZ TÜRLERİ:	Bütan (G30)	Ptropan (G31)	G30, G31 veya bunların karışımları	G30, G31 veya bunların karışımları	
GAZ BASINCI:	(28-30) mbar	37mbar	(28-30) mbar	50 mbar	
PIN KODU:	<b>CE:</b> 2531DN-0117		<b>UKCA:</b> 8504DO-0003	<b>UKCA:</b> 8504DO-0003	
	BE, FR, IT, LU, IE, GB, GR, PT, ES, CY, CZ, LT, CH, SI, LV, TR		LU, NL, DK, FI, SE, CY, CZ, EE, LT, MT, SK, SI, BG, IS, NO, HR, RO, IT, HU, LV, GR	DE, AT, CH, SK	
<b>Sadece açık havada kullanın.</b>					
<b>Cihazı kullanmadan önce talimatları okuyun.</b>					
<b>⚠UYARI: Erişilebilir kısımlar çok sıcak olabilir. Küçük çocukları uzak tutun.</b>					
<b>Bu cihaz kullanım sırasında yanıcı maddelerden uzak tutulmalıdır.</b>					
<b>Kullanım sırasında cihazı hareket ettirmeyin.</b>					
<b>Kullandıktan sonra gaz silindirindeki gaz beslemesini kapatın.</b>					
<b>Cihazda değişiklik yapmayın.</b>					

### REGÜLATÖR VE HORTUM GEREKSİNİMLERİ

- Yalnızca yukarıdaki basınçlarda LP Gazı için onaylanmış regülatörleri ve hortumu kullanın. Kullanılan hortum, kullanıldığı ülke için ilgili standarda uygun olmalıdır.
- BSEN 12864 veya EN 16129 sertifikalı uygun bir regülatör kullanın. Regülatör ve esnek hortumun yerel yasalara uygun olduğundan emin olun.
- Esnek hortumun uzunluğu 1,5 m'yi geçmemelidir. Finlandiya'da uzunluk 1,2 m'yi geçmemelidir. Hortum geçerli EN Standardına göre sertifikalandırılmış ve yerel yasalara uygun olmalıdır.

Gaz silindiri için uygun bir regülatör hakkında bilgi için lütfen LPG bayinize danışın.

### ⚠ UYARI

Yanlış regülatör veya hortumun kullanılması güvenli değildir; Cihazı çalıştırmadan önce her zaman doğru parçaların olup olmadığını kontrol edin.

Bu cihaz, yalnızca esnek bir hortum aracılığıyla uygun düşük basınç regülatörü ile donatılmış düşük basınçlı bütan veya propan gazı veya LPG karışımlarıyla kullanıma uygundur.

Regülatör ve hortumun ortalama kullanım ömrü 2 yıl olarak hesaplanmıştır.



# MÜŞTERİ DESTEĞİ

## BİZE ULAŞIN

Tüm sorularınız, sorularınız veya müşteri desteğiniz için lütfen iletişime geçin:

**Griddle Masters Europe ApS**

**Blackstone Europe**

**Tel. +45 2424 7709**

**Nordre Strandvej 119, 3150 Hellebæk  
Denmark**

**www.blackstone-europe.com**

## İKİ YIL GARANTI

North Atlantic Imports, LLC, bu ürüne, normal kullanım koşullarında, orijinal satın alma tarihinden itibaren iki (2) yıl süreyle malzeme ve işçilik kusurlarına karşı garanti vermektedir. Bu tür kusurların meydana gelmesi durumunda, North Atlantic Imports, LLC, kendi takdirine bağlı olarak uygun yedek parçayı/parçaları ücretsiz olarak sağlayacaktır.

North Atlantic Imports, LLC hiçbir durumda ürünün kurulumundan, kullanımından veya arızasından kaynaklanan sonuçsal, dolaylı veya tesadüfi zararlardan sorumlu olmayacaktır.

Bu garanti aşağıdakileri KAPSMAZ:

- Arızalı parça(lar)ın değiştirilmesi için muayene maliyetleri veya işçilik;
- Ürün performansını veya bütünlüğünü etkilemeyen kozmetik kusurlar;
- Normal aşınma ve yıpranma;
- Vandalizmden kaynaklanan hasarlar; rüzgar, fırtına, dolu, su baskını dahil ancak bunlarla sınırlı olmamak üzere doğa olayları;
- Yanlış montaj, kurulum veya kullanım;
- Kimyasallara, dökülmelere, havuz veya tuzlu suya maruz kalma sonucu yüzeyin renginin değişmesi veya solması;
- Korozyon/pas.

Bu ürün güvenlik ve kalite için tasarlanmıştır. Orijinal üründe yapılan herhangi bir değişiklik, ürünün yapısal bütünlüğünü veya işlevini tehlikeye atabilir ve ürünün arızalanmasına veya kişisel yaralanmaya yol açabilir. Bu nedenle, bu ürünün değiştirilmesi tüm garantileri geçersiz kılar.

Bu ürün YALNIZCA KONUT KULLANIMI içindir ve ticari, sözleşmeli veya diğer konut dışı amaçlara yönelik değildir. North Atlantic Imports, LLC, açık veya zımni her türlü diğer beyan ve garantileri reddeder.

Garanti, orijinal alıcı için geçerlidir ve devredilemez. Ürünle birlikte temin edilmeyen aksesuarlar veya parçalar, teşhir modellerinin satın alınması veya indirimle veya "olduğu gibi" satılan ürünler için geçerli değildir. Ancak ikamet ettiğiniz eyaletin veya ülkenin kanunlarına göre başka özel yasal haklara da sahip olabilirsiniz.

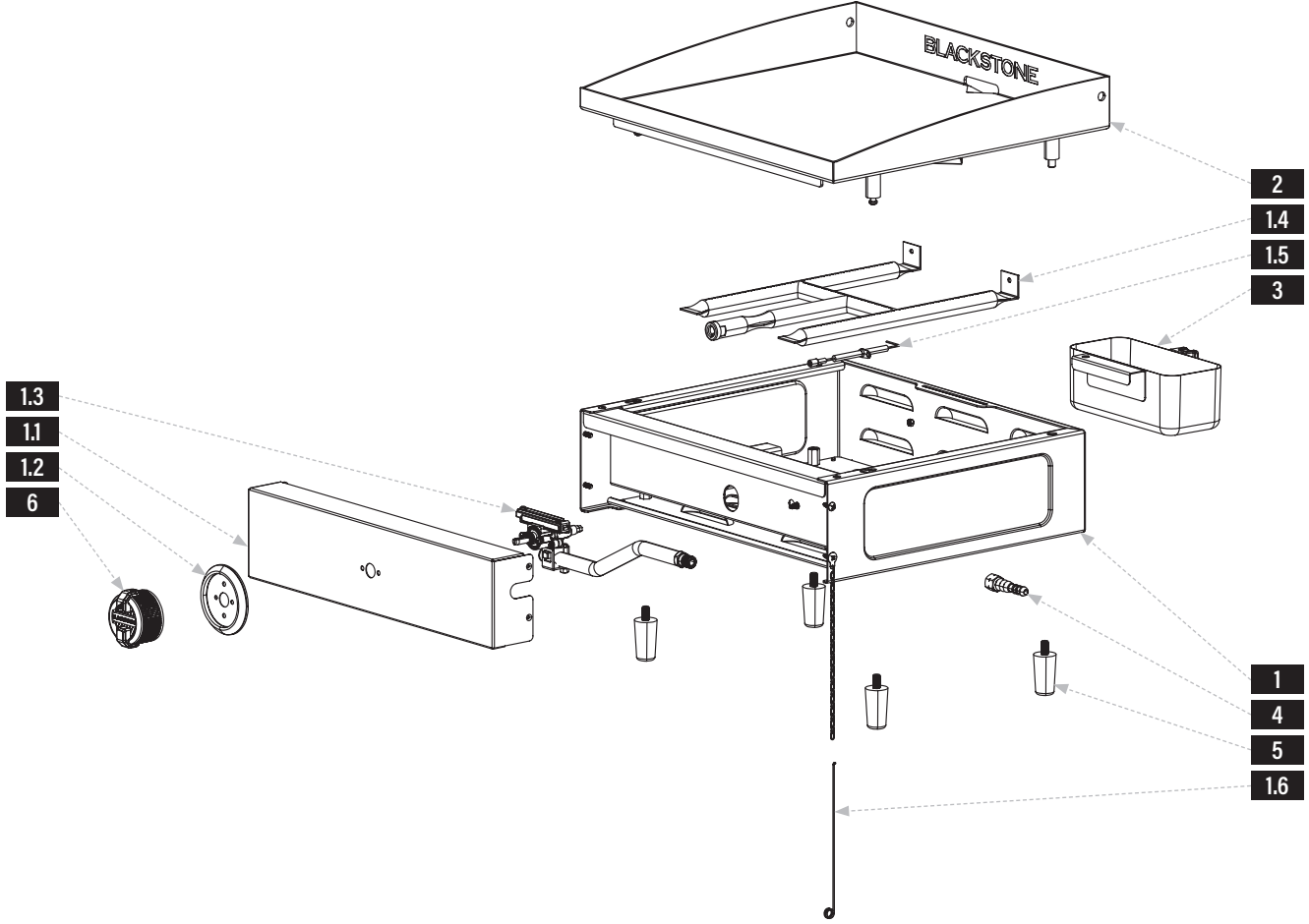
Garantinizi etkinleştirmek için ürününüzü şu adreste kaydedin:

**[blackstone-europe.com/pages/product-registration](http://blackstone-europe.com/pages/product-registration)**

North Atlantic Imports, LLC bu garantiyi herhangi bir zamanda değiştirme veya tadil etme hakkını saklı tutar.

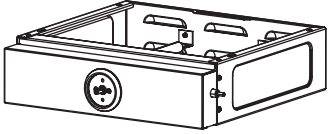
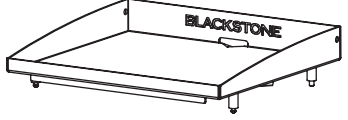
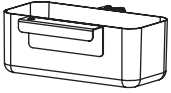
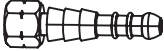


# MONTAJ KILAVUZU

## PARÇALARINA AYRIŞTIRILMIŞ GÖRÜNÜM



### PARÇA LİSTESİ

PARÇALAR	#
1.1 Kontrol Paneli	1
1.2 Kontrol düğmesi çerçevesi	1
1.3 Gaz rayı	1
1.4 H brülörü	1
1.5 Ateşleme iğnesi	1
1.6 Kibrit çöpü tutacağı	1

<b>1</b> Gövde (1 adet) 	<b>2</b> Izgara üstü (1 adet) 
<b>3</b> Yağ kabı (1 adet) 	<b>4</b> Hortum ucu (1 adet) 
<b>5</b> Izgara ayağı (4 adet) 	<b>6</b> Kontrol düğmesi (1 adet) 





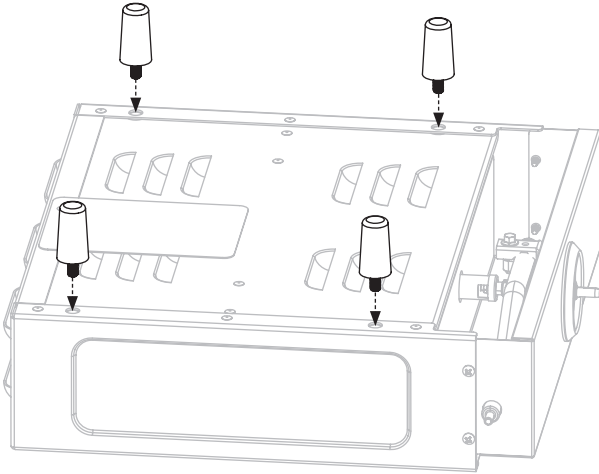
## MONTAJ TALIMATLARI

Cihazınızı monte etmek için geniş, temiz bir alan bulun.  
Montajdan önce tüm ambalaj malzemelerini çıkarın.

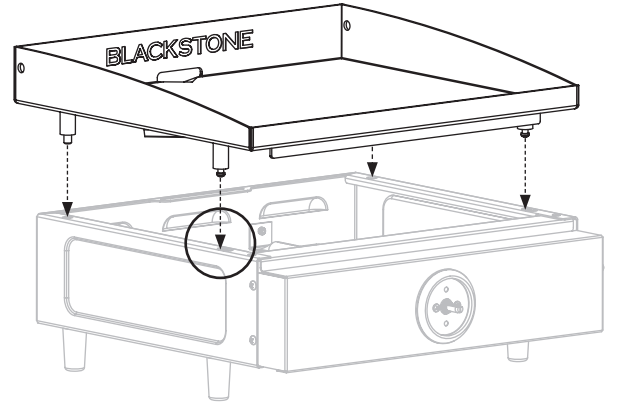
### ⚠ DİKKAT

Keskin kenarlar. Montaj sırasında eldiven giyin.

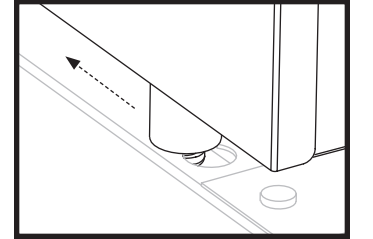
**ADIM 01** Izgara gövdesini pürüzsüz düz bir yüzeye baş aşağı yerleştirin. Dört (4) izgara ayağını izgaranın altına geçirin.



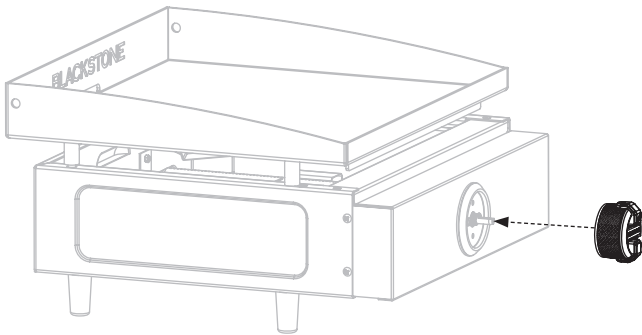
**ADIM 02** Izgarayı ayaklarının üzerine yerleştirin. Dört pimi gövdenin deliklerine hizalayarak ızgara üstünü ızgara gövdesine yerleştirin.



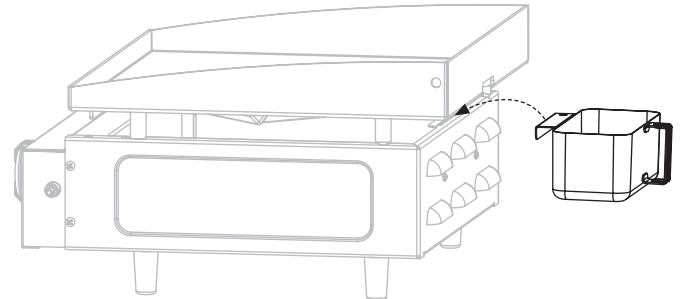
Ön pimlerin deliklere oturduğundan emin olun, ardından ızgaranın üst kısmını geriye doğru itin.



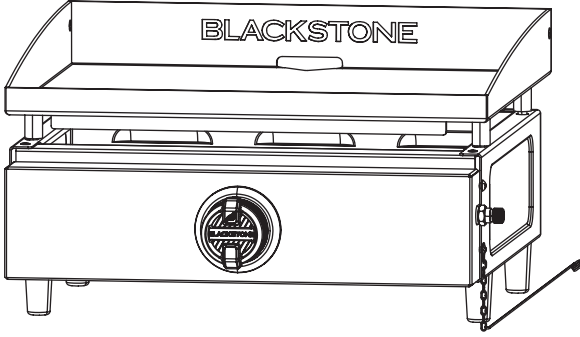
**ADIM 03** Kontrol düğmesini KAPALI konumda yerine iterek takın.



**ADIM 04** Yağ kabını ızgara gövdesinin arkasındaki yuvaya asın.



**ADIM 05 BLACKSTONE'UNUZU KULLANMAYA** Devam Edin.



**DUYURU**

Cihazı kullanım sırasında ısıya ve alev dayanıklı bir yüzey üzerine yerleştirin.



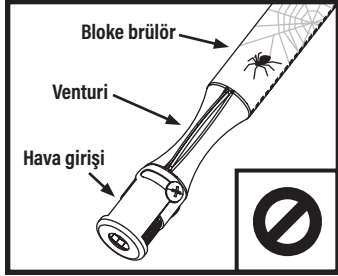
# BLACKSTONE'UNUZU KULLANMA

## PIŞIRMEDEN ÖNCE

### BRÜLÖRLERİ KONTROL EDİN

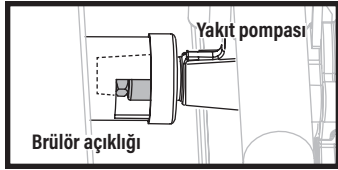
Bağlamadan ve kullanımdan önce, gaz silindiri kafası, regülatör, hortum, brülör ve brülör portlarına herhangi bir pislik bulaşmadığından veya hasar görmediğinden emin olun.

Örümcekler ve böcekler brülör/venturi tüpünün içine yuva yapabilir ve ağızdaki brülör/venturi tüpünü tıkayabilir.



### ⚠ UYARI

Tıkanmış bir brülör, cihazın altında yangına neden olabilir. Brülör tıkanıklık bulunduğu durumda çıkarılmalı ve temizlenmelidir.



⚠ Gaz rayı yakıt memesi deliğinin brülör açıklığına doğru şekilde geçtiğinden emin olun.

MINIMUM ORTAM ÇALIŞMA SICAKLIĞI 0°F'DIR (-18°C).

### ⚠ TEHLİKE

Yanıcı maddeler cihazın yakınına konulursa patlayabilir. Cihaz alanını temiz tutun ve yanıcı maddelerden, aerosol kaplarından, benzinden ve diğer yanıcı buhar ve sıvılardan uzak tutun.

### ⚠ DİKKAT

Cihazda kağıt havlu tutacağı varsa, cihaz kullanımdayken kol açık konumda olmalıdır.

**VALF, HORTUM VEYA REGÜLATÖR ÜZERİNE GRES VEYA BAŞKA BİR SICAK MALZEME DAMLARSA:**

**ADIM 01** Gaz beslemesini hemen kapatın.

**ADIM 02** Nedeni belirleyin ve düzeltin.

**ADIM 03** Valfi, hortumu ve regülatörünü temizleyin ve inceleyin.

**ADIM 04** Bir sızıntı testi yapın. (Lütfen Blackstone'unuzu Kullanma konusundaki Sızıntı Testi Talimatlarına başvurun.)

## AÇIK ALANINIZI AYARLAMA

**BU CİHAZ SADECE AÇIK HAVADA KULLANILMALIDIR.**

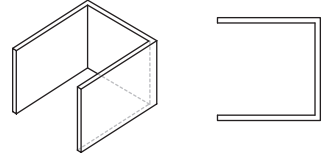
- BU CİHAZI binaların, garajların veya diğer kapalı alanların içinde kullanmayın.
- BU CİHAZI bir teknenin içine veya üzerine kurmayın.
- BU CİHAZI bir eğlence aracının içine veya üzerine kurmayın.

### KORUNAKLI AÇIK ALANLAR:

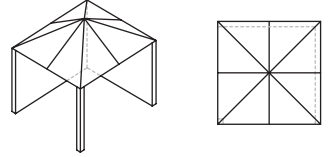
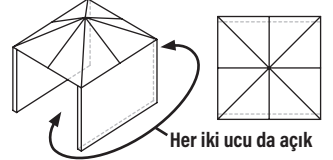
Tüm açıklıklar kalıcı olarak açık olmalıdır; sürgülü kapılar, garaj kapıları, pencereler veya perdeli açıklıklar kalıcı açıklıklar olarak kabul edilmez.

Bir cihaz, aşağıdakilerden daha fazla kapsayıcı olmayan bir koruma ile monte edilirse, dış mekan olarak kabul edilir:

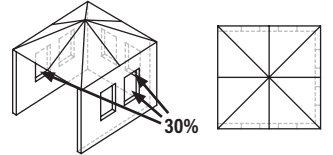
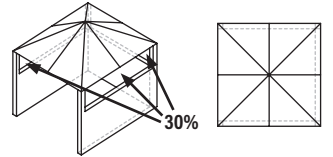
a. Üç tarafı duvarlı, ancak üst kapağı yok.



b. Bir havai kapak ve en fazla iki yan duvar içeren kısmi bir mahfaza içinde. Yan duvarlar, bir geçitte olduğu gibi paralel veya birbirine dik açılarda olabilir.

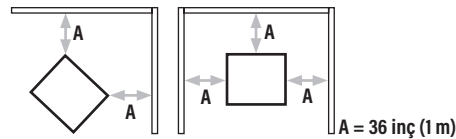


c. Bir üst kapak ve üç yan duvar içeren kısmi bir muhafaza içinde, muhafazanın yatay çevresinin %30'u veya daha fazlası kalıcı olarak açık olduğu sürece.



### YANICI MALZEMEDEN UYGUN MESAFELERİ KORUYUN:

- BU CİHAZI herhangi bir apartman dairesi veya apartman balkonu veya teras üzerinde veya altında kullanmayın.
- Yanma ve havalandırma havasının akışını engellemeyin.
- BU CİHAZI, cihazın yanlarından ve arkasından 1 m'den (36 inç) daha yakın mesafede çalıştırmayın.



- BU CİHAZI baş üstü yanıcı yapılarda kullanmayın.

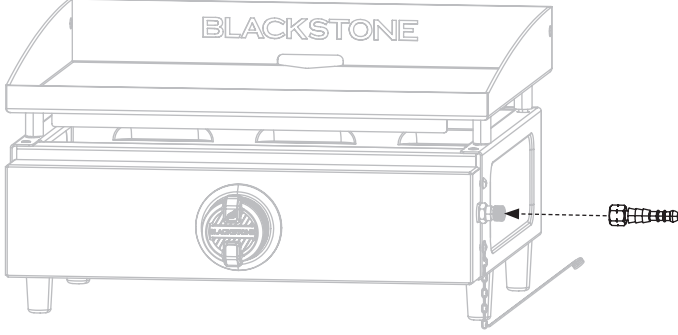


## YAKIT SİLİNDİRİNİN TAKILMASI REGÜLATÖRÜN TAKILMASI

**ADIM 01** Regülatör ve hortum cihaza doğru şekilde bağlanmalıdır. Somunu bağlantı dişine sıkarak için bir anahtar kullanılmalıdır.

Bir yakıt kelepçesi kullanıyorsanız, hortumun ucunu gaz rampasına takın.

(Diken soldan dışlıdır.)



**ADIM 02** Hortum değiştirilirse cihaza ve regülatör bağlantılarına hortum kelepçeleri ile sabitlenmelidir.

### CIHAZ KULLANIMDAYKEN ESNEK BORUYU DÖNDÜRMEKTEN KAÇININ.

- Hortumun tıkalı, bükülmemiş veya bağlantı yeri dışında cihazın herhangi bir parçasına temas etmemiş olduğundan emin olun.
- Aşınmış veya hasarlı hortum değiştirilmelidir.
- Hortum tertibatının regülatör ucundaki lastik O-ring'i yılda en az bir kez kontrol edin. Aşınmış veya çatlamış görünüyorsa değiştirin.
- Cihaz kullanılmadığında regülatörü tüpten ayırın (regülatörle birlikte verilen talimatlara göre).

## SIZINTI TESTİ TALIMATLARI

**ADIM 01** Bir ölçü bulaşık deterjanı ile 3 ölçü suyu karıştırarak 2-3 sıvı ons kaçak tespit solüsyonu yapın.

**ADIM 02** Gaz silindiri valfindeki gaz beslemesini kapatın.

**ADIM 03** Kontrol vanasının "KAPALI" olduğundan emin olun.

**ADIM 04** Regülatörü tüpe ve AÇMA/KAPAMA vanasını brülöre bağlayın, bağlantıların sağlam olduğundan emin olun ve ardından gazı açın.

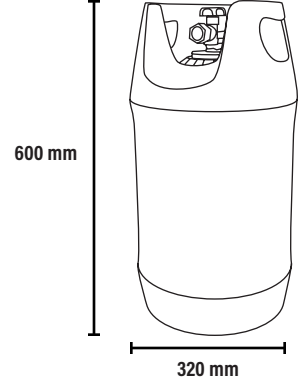
**ADIM 05** Sabunlu suyu hortuma ve tüm ek yerlerine fırçayla sürün. Baloncuklar ortaya çıkarsa, kullanımdan önce düzeltilmesi gereken bir sızıntınız var demektir. Arızayı giderdikten sonra yeniden test edin.

**ADIM 06** Kullandıktan sonra gaz kabındaki gaz beslemesini kapatın.

Sızıntı tekrar tespit edilirse ve giderilemezse, Sızıntıyı gidermeye çalışmayın, gaz satıcınıza danışın.

### LPG TÜP GEREKSİNİMLERİ

- Cihazınız 11 kg ile 15 kg arasındaki gaz tüpleri ile kullanılabilir.
- Gaz silindirin maksimum boyutu şöyle olmalıdır: Çap: 320mm, Yükseklik: 600 mm (regülatör dahil).
- Talimat kılavuzunda belirtilen teknik bilgileri takip edin ve cihazınıza uygun bir gaz tüpü olup olmadığını öğrenmek için yerel gaz tedarikçinizle görüşün.



### GAZ TÜPÜ GÜVENLİĞİ

- Gaz tüpü düşürülmemeli veya kabaca tutulmamalıdır.
- Cihaz kullanımda değilse, tüpün bağlantısı kesilmelidir.
- Tüpü cihazdan çıkardıktan sonra koruyucu kapağı silindirin üzerine yerleştirin.
- Gaz silindiri, cihazın gövdesinin dışına yerleştirilmelidir.
- Silindiri her zaman iyi havalandırılan bir alanda ve herhangi bir ateşleme kaynağından uzakta, asla alev, kıvılcım veya ısı kaynağının bulunmadığı bir yere bağlayın veya değiştirin.
- Silindirler açık havada dik konumda ve çocukların ulaşamayacağı bir yerde saklanmalıdır. Silindir, sıcaklığın 50°C'nin üzerine çıkabileceği yerlerde asla saklanmamalıdır. Silindiri alevlerin, pilot ışıkların veya diğer tutuşturucu kaynakların yakınına saklamayın. SİGARA İÇME.
- Gaz tüpü bölmesinin (varsa) tıkalı olmadığından emin olun, havalandırın ve temiz tutun.
- Her on yılda bir silindire bakım yaptırmanız veya değiştirmeniz gerekecektir. Son servis tarihi şişenin ağzına basılmalıdır.
- Yerde kullanıldığında, cihazı ve silindiri her zaman düz, düz bir zemine yerleştirin.



## ATEŞLEME TALIMATLARI

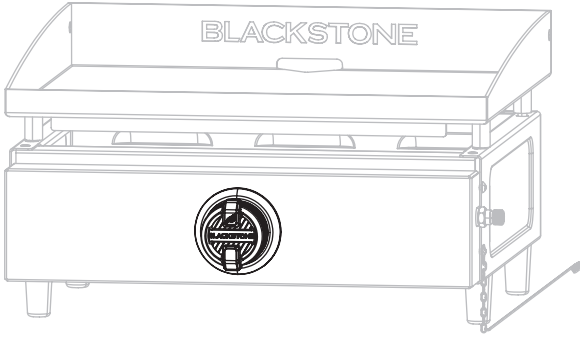
### 1. ÇEK VALFLER

⚠ Cihaz vanalarını kontrol etmeden önce besleme kesme vanasında gazın kapalı olduğundan emin olun.

**ADIM 01** Tüm düğmeleri ❶ kapalı konumuna çevirin.

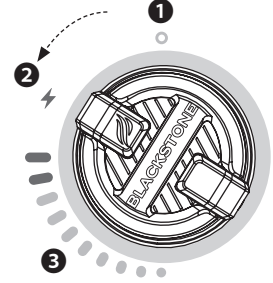
**ADIM 02** Düğmeye basın ve bırakın. Düğme geri yaylanmalıdır. Düğmeler geri yaylanmazsa, cihazı kullanmadan önce valf grubunu değiştirin.

**ADIM 03** Düğmeyi DÜŞÜK konumuna çevirin ve ardından tekrar KAPALI konumuna getirin. Düğme yumuşak bir şekilde dönmelidir.



### 2. PIEZO-ELEKTRİKLİ KALBUR ATEŞLEME

⚠ Aydınlatma sırasında cihazın üzerine eğilmeyin.



#### ADIM 01

Gaz silindiri çarkını saat yönünün tersine 1 ila 3 tur çevirerek gazı AÇIK konuma getirin.

#### ADIM 02

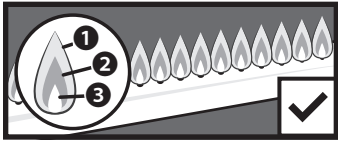
- ❶ Gaz akışını başlatmak için kontrol düğmesini içeri doğru itin.
- ❷ Marş motorunu etkinleştirmek için kontrol düğmesini saat yönünün tersine çevirin.
- ❸ Sıcaklığı istediğiniz seviyeye ayarlayın.

### 3. ALWAYS CHECK BURNER FLAME BEFORE USE.

**ADIM 01** Ocakları yakın ve düğmeleri YÜKSEK'ten DÜŞÜK'e çevirin.

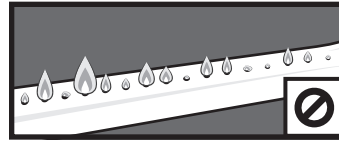
**ADIM 02** Brülörleri görmek için pişirme yüzeyinin altına bakın. Düğme YÜKSEK konumdayken alevler, düğme DÜŞÜK konumdayken olduğundan daha büyük olmalıdır.

#### SAĞLIKLI ALEV DESENİ



- ❶ Sarı renkte titremeler.
- ❷ Koyu mavi renktedir. ❸ Canlı mavi.

#### SARI VEYA DÜZENSİZ



Ani düşme veya düşük alev sorunu varsa lütfen Sorun Giderme bölümüne bakın.

#### ⚠ UYARI

Brülör gaz besleme vanası açıkken ateşlenmezse, gaz brülörden dışarı akmaya devam edecek ve yaralanma riskiyle birlikte kazara/yanlışlıkla tutuşabilir.

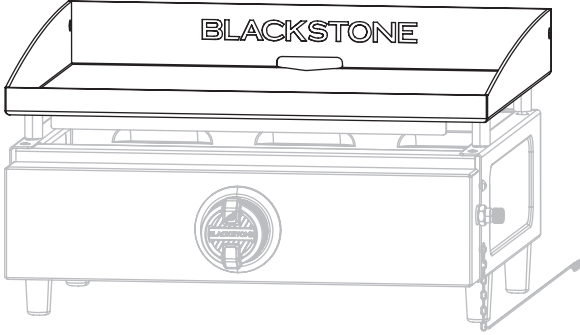
#### 5 saniye içerisinde ateşleme gerçekleşmezse:

1. Brülör kontrol düğmesini KAPALI konuma getirin.
2. 5 dakika bekle.
3. Aydınlatma prosedürünü tekrarlayın.

Brülör ateşlenmezse lütfen Sorun Giderme bölümüne bakın.



## KALBUR BAHARAT TALIMATLARI



### İLK KULLANIMDAN ÖNCE IZGARA ÜSTÜNÜZÜN YIKANMASI

#### DUYURU

Sabun, tecrübeli bir kalbur mahvedecektir. Bu, kalbur pişirme yüzeyinde sabun kullanmanız gereken tek zamandır.

**ADIM 01** Kalburlu pişirme yüzeyini sıcak, sabunlu suyla yıkayın.

**ADIM 02** Durulayın ve tamamen kurulayın.

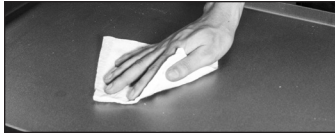
### TAVAYI BAHARATLAMAK



#### VIDEO ÖĞRETİCİ

Yeni Bir Blackstone Kalbur Nasıl Sezonlandırılır  
▶ [youtube.com/watch?v=VspmDVnj2pl&t=3s](https://www.youtube.com/watch?v=VspmDVnj2pl&t=3s)

**ADIM 01** Kalbur üstündeki kalıntıları silin.



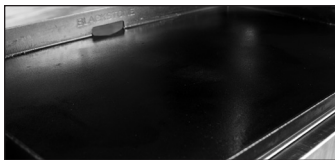
**ADIM 02** Kalburunuzun üst kısmı renk değiştirene kadar kalburunuzu yüksek ısıya ayarlayın. (~10 dk)



**ADIM 03** Bir kağıt havlu veya pamuklu bez tutmak için maşa kullanın ve tüm ızgara üstüne 2-3 yemek kaşığı baharat yağı sürün. Kalburunuzu baharatlarken, ince ve eşit bir yağ tabakası kullanmayı unutmayın; yağ tabakası ne kadar ince olursa, onu yakmak o kadar kolay olur.



**ADIM 04** Izgara üstü, sigara içmeyi bıraktığında başka bir yağ tabakası için hazırdır. Adım 03'ü 3-4 kez veya ızgara yüzeyi siyah olana kadar tekrarlayın.



#### DUYURU

Kullanım sırasında ızgara üst kısmının 3 inç (8 cm) yakınında herhangi bir eşya saklamayın.

#### HANGİ YAĞI KULLANMAK DAHA İYİDİR?

- Blackstone Baharat ve Dökme Demir Saç Kremi.
- Herhangi bir bitki bazlı yemeklik yağ.
- Hiçbir katkı maddesi içermeyen işlenmiş hayvansal yağ.



#### ⚠ DİKKAT

Kendiliğinden yanma nedeniyle oluşabilecek yangınları önlemek için ızgaranızın üstüne yağ yaymak için kullanılan bezleri/havluları uygun şekilde atın.

Doğru koşullar altında, bez veya havluların üzerinde kalan yağ, ısı kaynağından çıkarıldıktan uzun süre sonra oksitlenebilir. Oksidasyon sürecinin kendisi ısı üretir; bu ısı, eğer dağıtılmazsa birikebilir ve paçavraların/havluların ve çevredeki malzemenin tutuşmasına neden olabilir.

### BAHARAT SORUN GIDERME

#### KALBUR YÜZEYİNDE KAHVERENGİMSİ BİR KALINTI VAR:

##### OLASI NEDENLER

- Çok fazla yağ kullanılmış.
- Ateşi çok erken kapattın.

##### ÇÖZÜM

**ADIM 01** Kalburunuzu yüksek seviyeye getirin ve 10-15 dakika ısınmasına izin verin.

**ADIM 02** Kalınlaştırılmış ve kısmen pişmiş yağı olabildiğince kazıyın.

**ADIM 03** Çok ince bir yağ tabakasıyla yeniden mevsim yapın.

#### KALBUR YÜZEYİNİN KENARLARI SİYAH DEĞİL:

Kalburunuzu birden fazla aşçı için kullandıktan sonra, baharatlar eşitlenecek ve gelişecektir.

#### PAS ÖNLEME

Kalburunuzu sık sık kullanın. Her pişirdiğinizde, paslanma olasılığını azaltan baharat eklersiniz.

#### DUYURU

Nemli veya kıyı ikliminde yaşıyorsanız, ızgaranız kullanımlar arasında daha sık baharat gerektirebilir.

Izgara yüzeyinde pas görülürse, çelik yünü, düşük kumlu zımpara kağıdı veya Blackstone Pomza Taşı ile ovalayın ve yüzeyi yeniden baharatlayın.



#### VIDEO ÖĞRETİCİ

Blackstone Griddle Top'unuzu Kurtarma  
▶ [youtube.com/watch?v=thPE2IgnSil](https://www.youtube.com/watch?v=thPE2IgnSil)



## BLACKSTONE'UNUZDA YEMEK PIŞIRMEK

### ⚠ DİKKAT

Bu cihaz kullanım sırasında ve sonrasında sıcak olacaktır. Yanıklara ve sıçramalara karşı korunmak için, cihazın gövdesine yakın kulplar da dahil olmak üzere potansiyel olarak sıcak parçaları tutarken uzun saplı mutfak eşyaları ve fırın eldiveni/koruyucu eldiven kullanın.

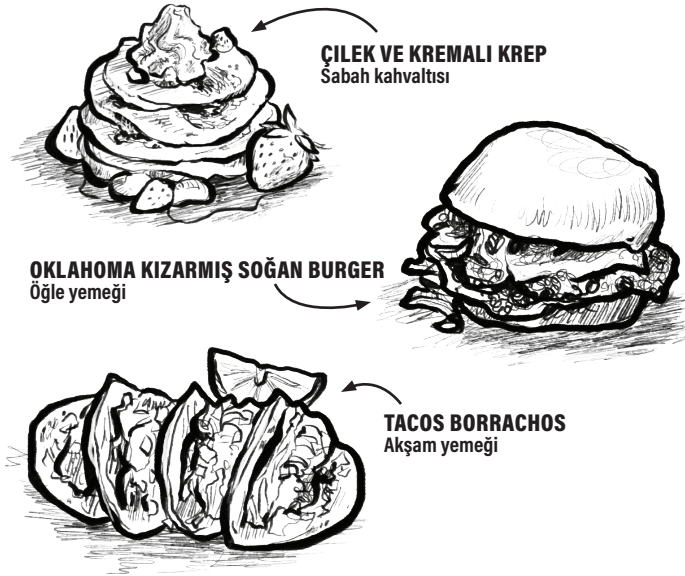
### VIDEO TARIFLERİ

Tarifleri ve pişirme ipuçlarını şurada bulabilirsiniz:

🌐 [BlackstoneProducts.com/recipes](https://BlackstoneProducts.com/recipes)

📺 [youtube.com/BlackstoneGriddles](https://youtube.com/BlackstoneGriddles)

📱 @blackstoneproducts



## BAKIM VE BAKIM

### ⚠ UYARI

Yağ birikmesi yangına neden olabilir. Cihazın ısınan ve yağlanan tüm parçalarını her kullanımdan sonra temizleyin.

### ⚠ DİKKAT

Tüm temizlik ve bakım işlemleri, cihaz soğukken ve her şey KAPALI konumdayken yapılmalıdır.

- Grafikli alanlarda aşındırıcı ped kullanmayın.
- Pişirme yüzeylerinden herhangi birini temizlemek için kılı bir fırça kullanılıyorsa, pişirmeden önce pişirme yüzeylerinde gevşek kıl kalmadığından emin olun.

### CIHAZ GÖVDESİ:

Ilık sabunlu suyla yıkayın ve hemen aşındırıcı olmayan bir bezle kurulaştırın. (Temizlik maddelerinin herhangi bir gözenekli yüzeyde uzun süre kalmasına izin vermeyin.)

### DUYURU

Cihaz üzerinde Citrisol, aşındırıcı temizleyiciler veya konsantre temizleyiciler kullanmayın. Bu, parçaların hasar görmesine ve arızalanmasına neden olabilir.

### CIHAZ DEPOLAMA

### ⚠ UYARI

Kullanım sırasında cihazı hareket ettirmeyin. Taşımadan veya saklamadan önce cihazın 115 °F (45°C) sıcaklığa soğumasını bekleyin.

Bir cihazın iç mekanda depolanmasına ancak gaz beslemesinin cihazdan ayrılması ve çıkarılması halinde izin verilir.

### KAPAK SIĞDIRMA KILAVUZU

Açık havada saklandığında cihazınızı daima örtün.



Cihazınıza uygun bir kapak bulmak için [BlackstoneProducts.com/support](https://BlackstoneProducts.com/support) adresini ziyaret edin.





## IZGARA ÜSTÜNÜZÜ TEMİZLEME

Her kullanımdan sonra ızgara üstünü henüz sıcakken temizleyin.  
- Kalbur üstünde sabun kullanmayın. Bu, ızgaranın baharatını yok edecektir.



### VIDEO ÖĞRETİCİ

Blackstone Kalburunuzu Nasıl Temizlersiniz  
▶ [youtube.com/watch?v=-ledu9z6NPY](https://www.youtube.com/watch?v=-ledu9z6NPY)

**ADIM 01** Gevşek yiyecek artıklarını spatula veya düz metal kazıyıcı ile yağ kabına itin.



**ADIM 02** Izgara üstünü kağıt havluyla silin.



**ADIM 03** Kalbur yüzeyine birkaç yemek kaşığı su uygulayın, ardından suyu ve kalıntıları gres kabına kazıyın.

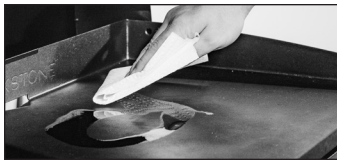
(Yapışmış yemek artıkları için biraz kaba tuz kullanın.)



**ADIM 04** Kağıt havluyla tekrar silin ve tamamen kurulaştırın.



**ADIM 05** Baharatı korumak ve ızgara üstünü korumak için ince bir kat yemeklik yağ sürün.



## YAĞ KABINIZI BOŞALTIN

Her kullanımdan sonra gres kabı çıkarılmalı ve boşaltılmalıdır.

### ⚠ DİKKAT

Gres kabı kullanım sırasında ve sonrasında sıcak olacaktır. Kalbur tamamen soğuyana kadar gres kabını çıkarmayın.

## BRÜLÖR TERTİBATININ TEMİZLENMESİ

"Geri dönüş" olasılığını azaltmak için aşağıdaki prosedür en az ayda bir kez örümceklerin en aktif olduğu zamanlarda veya cihazınız bir süre kullanılmadığında uygulanmalıdır.



### VIDEO ÖĞRETİCİ

Brülör Tüpünü Nasıl Temizlersiniz  
▶ [youtube.com/watch?v=xKQTCrFCzf8](https://www.youtube.com/watch?v=xKQTCrFCzf8)

**ADIM 01** Hızlı Bağlantı Somununu saat yönünde çevirerek regülatör tertibatını LPG silindirinden ayırın.

- Izgara üstünü çıkarın.
- Brülör klipsini çekerek brülörü çıkarın. Bir tornavida veya iğne uçlu pense kullanın.

**ADIM 02** Brülörü dikkatli bir şekilde yukarı kaldırın ve gaz valfi ağzından uzaklaştırın.

**ADIM 03** Brülörün içini temizleyin:

- Her brülör borusundan birkaç kez bir şişe fırçası (tel fırça değil) veya küçük bir kanca şeklinde bükülmüş sert bir tel geçirin.
- Brülör borusundan üfleme ve brülör portlarından dışarı üfleme için basınçlı hava kullanın (Göz koruması takın).



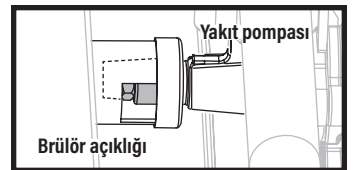
**ADIM 04** Kiri çıkarmak için brülörün tüm dış yüzeyini fırçalayın.



**ADIM 05** Açık bir ataş gibi sert bir telle tıkanmış tüm bağlantı noktalarını temizleyin.



**ADIM 06** Brülörleri dikkatli bir şekilde değiştirin ve ateşleme iğnesinin konumuna dikkat ederek yeniden takın.



⚠ Gaz rayı yakıt nozulu, brülör açıklığına yeniden takılmalıdır.





# SORUN GIDERME

## ATEŞLEME SORUN GIDERME

### BRÜLÖR TUTUŞMAYACAK:

Ateşleme 5 saniye içinde gerçekleşmezse:

**ADIM 01** Brülör kontrol düğmesini KAPALI konuma getirin.

**ADIM 02** 5 dakika bekle.

**ADIM 03** Aydınlatma prosedürünü tekrarlayın.

Bu işe yaramazsa, nedenini belirlemek için lütfen cihazınızı bir kibritle ateşlemeyi deneyin.

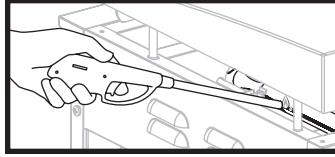
### MAÇ AYDINLATMA TALIMATLARI

Başlamadan önce gaz kaçağı olup olmadığını kontrol edin. Başlığı açın (varsa).

**ADIM 01** Kontrol düğmesini KAPALI konumuna çevirin.

**ADIM 02** 11 inçten kısa olmayan bir kibrit (veya uzun çakmak) yakın.

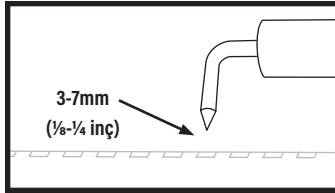
**ADIM 03** Alevi brülörün yanına yerleştirin.



**ADIM 04** Gaz akışını başlatmak için kontrol düğmesini içeri itin ve çevirin. Brülörün yandığından ve yanık kaldığından emin olun.

### CIHAZINIZI KIBRITLE ATEŞLEYEBİLİYORSANIZ:

OLASI NEDENLER	ÇÖZÜM
Ateşleyici kablosu yanlış hizalanmış.	Ateşleyici iğnesinin brülörden 3-7 mm (1/8-1/4 inç) uzakta konumlandırıldığından ve brülör delikleriyle hizalandığından emin olun.



Ateşleme sisteminde hasar.

Yedek parçalar için müşteri hizmetlerine başvurun.

### CIHAZINIZI KIBRITLE ATEŞLEYEMİYORSANIZ:

OLASI NEDENLER	ÇÖZÜM
Brülör boruları yakıt almıyor.	Tıkanıklığı gidermek için brülör tertibatını temizleyin.

## GAZ AKIŞI SORUN GIDERME

### CIHAZ YÜKSEK BİR ISIYA ULAŞMIYOR VEYA EŞİT OLMAYAN BİR ŞEKİLDE ISINIYOR:

- Brülör alevleri sarı veya düzensiz.
- Brülör alevleri güçlü başlar ve brülör yüksek konuma ayarlandığında bile hemen düşer.
- İkinci bir brülör yandığında alev yüksekliği düşer.
- Alevler brülörün tüm uzunluğu boyunca uzanmaz veya brülörün sadece bir tarafında bulunur.
- Brülör alevleri tutarsız.

OLASI NEDENLER	ÇÖZÜM
Brülör, gaz jetleri veya yakıt rayındaki engeller.	Brülörü, jetleri ve gaz hortumunu temizleyin.
Gaz tüpü boş veya düşük.	Gaz silindiri yeniden doldurun veya değiştirin.

- Hava kapısından bir alev çıkıyor.



OLASI NEDENLER	ÇÖZÜM
Brülördeki venturiyi bir şey engelliyor.	Tıkanıklığı gidermek için brülör tertibatını temizleyin.

Bu sayfa bilerek boş bırakılmıştır

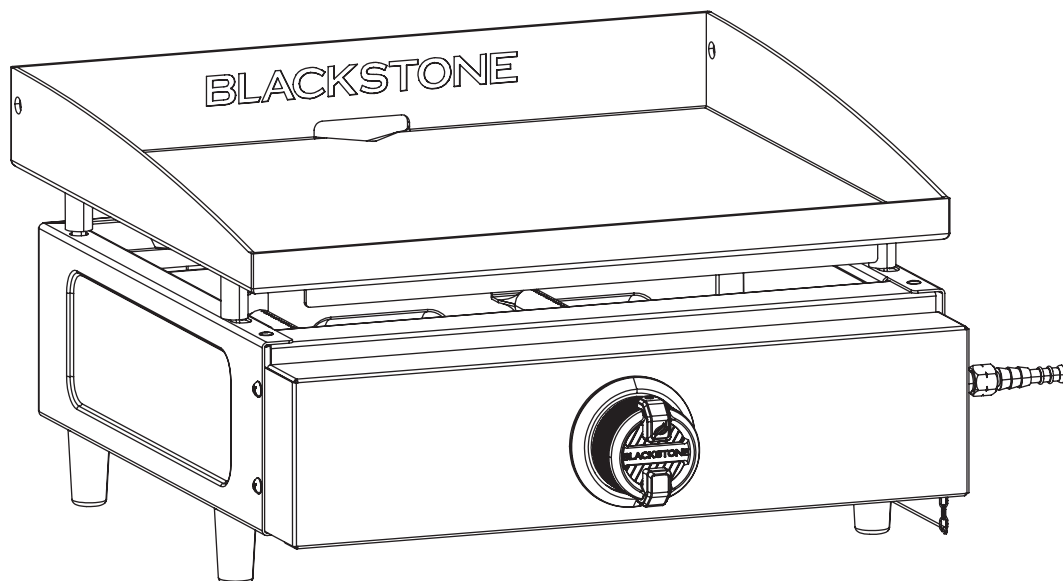


Bu sayfa bilerek boş bırakılmıştır

**BLACKSTONE®**

Bu ürün, bir veya daha fazla yayınlanmış ABD ve/veya uluslararası patent kapsamında olabilir ve bekleyen patent başvurularını içerebilir.

Daha fazla bilgi için lütfen şu adresi ziyaret edin:  
[BlackstoneProducts.com/patents](https://BlackstoneProducts.com/patents)



РУКОВОДСТВО ПОЛЬЗОВАТЕЛЯ | ИНСТРУКЦИЯ ПО СБОРКЕ УЛИЧНОГО ГАЗОВОГО ПРИБОРА

# 17" СКОВОРОДКА

## ОГЛАВЛЕНИЕ

ВАЖНАЯ ИНФОРМАЦИЯ О БЕЗОПАСНОСТИ .....	02
СЛУЖБА ПОДДЕРЖКИ .....	03
РУКОВОДСТВО ПО СБОРКЕ .....	04
ИСПОЛЬЗОВАНИЕ ВАШЕГО BLACKSTONE .....	07
ИСПРАВЛЕНИЕ ПРОБЛЕМ .....	13

### ВАЖНЫЙ:

Используйте только на открытом воздухе.

Прочтите инструкции перед использованием прибора.

Сохраните это руководство для дальнейшего использования.

Если у вас есть какие-либо вопросы относительно сборки или эксплуатации, обратитесь к своему дилеру или в компанию, занимающуюся сжиженным нефтяным газом.

### КЛЮЧ ПРЕДУПРЕЖДЕНИЯ О БЕЗОПАСНОСТИ

#### ⚠ ОПАСНО

Указывает на опасную ситуацию, которая, если ее не избежать, приведет к смерти или серьезной травме.

#### ⚠ ВНИМАНИЕ

Указывает на опасную ситуацию, которая, если ее не избежать, может привести к травме легкой или средней степени тяжести.

#### ⚠ ОСТОРОЖНО

Указывает на опасную ситуацию, которая, если ее не избежать, может привести к смерти или серьезной травме.

#### УВЕДОМЛЕНИЕ

Обозначает информацию, которая считается важной, но не связанной с опасностью (например, сообщения о материальном ущербе).

## ВАЖНАЯ ИНФОРМАЦИЯ О БЕЗОПАСНОСТИ

### ДЛЯ ВАШЕЙ БЕЗОПАСНОСТИ

- Если вы чувствуете запах газа:
1. Перекрыть подачу газа на газовом баллоне.
  2. Потушите все открытые огни; не пользуйтесь никакими электрическими приборами.
  3. Проветрите помещение.
  4. Проверьте наличие утечек, как описано в этом руководстве.
  5. Если запах сохраняется, немедленно свяжитесь с вашим дилером или поставщиком газа.

### МЕРЫ ПРЕДОСТОРОЖНОСТИ

1. Проверяйте герметичность всех соединений после каждой заправки бака.
2. Никогда не проверяйте наличие утечек открытым огнем, всегда используйте мыльный раствор.
3. Не храните и не используйте бензин или другие легковоспламеняющиеся пары и жидкости вблизи данного прибора.
4. Любой газовый баллон, не подключенный для использования, не должен храниться вблизи этого или любого другого прибора.



### ПРИ НЕОБХОДИМОСТИ ИНСТРУКЦИЙ МОЖЕТ ПОЛУЧИТЬСЯ ОПАСНЫЙ ПОЖАР ИЛИ ВЗРЫВ.

Потребитель несет ответственность за правильную сборку, установку и уход за прибором. Несоблюдение инструкций, содержащихся в данном руководстве, может привести к травмам и/или материальному ущербу.

<b>№ МОДЕЛИ/ТИПА</b>	2142EU			<b>CE</b> 2531-23	<b>UK</b> 8504-23
<b>ПОДВОД ТЕПЛА:</b>	1 x 3.5 кВт	<b>ОБЩИЙ:</b> 3.5 кВт (254.5 г/ч)			
<b>КАТЕГОРИЯ ГАЗА:</b>	<b>ИЗ+(28~30/ 37)</b>		<b>ИЗБ/П(30)</b>	<b>ИЗБ/П(50)</b>	
<b>ТИПЫ ГАЗА:</b>	Бутан (G30)	Пропан (G31)	G30, G31 или их смеси	G30, G31 или их смеси	
<b>ДАВЛЕНИЕ ГАЗА:</b>	(28-30) мбар	37мбар	(28-30) мбар	50 мбар	
<b>ПИН-КОД:</b>	<b>СЕ:</b> 2531DN-0117		<b>УКСА:</b> 8504D0-0003	<b>УКСА:</b> 8504D0-0003	
	BE, FR, IT, LU, IE, GB, GR, PT, ES, CY, CZ, LT, CH, SI, LV, TR		LU, NL, DK, FI, SE, CY, CZ, EE, LT, MT, SK, SI, BG, IS, NO, HR, RO, IT, HU, LV, GR	DE, AT, CH, SK	
<b>Используйте только на открытом воздухе.</b>					
<b>Прочтите инструкции перед использованием прибора.</b>					
<b>▲ ПРЕДУПРЕЖДЕНИЕ. Доступные части могут быть очень горячими. Держите маленьких детей подальше.</b>					
<b>Этот прибор должен храниться вдали от легковоспламеняющихся материалов во время использования.</b>					
<b>Не перемещайте прибор во время использования.</b>					
<b>Отключите подачу газа на газовом баллоне после использования.</b>					
<b>Не модифицируйте прибор.</b>					

### ТРЕБОВАНИЯ К РЕГУЛЯТОРУ И ШЛАНГУ

- Используйте только регуляторы и шланги, одобренные для сжиженного нефтяного газа при указанных выше давлениях. Используемый шланг должен соответствовать соответствующему стандарту страны использования.
- Используйте подходящий регулятор, сертифицированный по BSEN 12864 или EN 16129. Убедитесь, что регулятор и гибкий шланг соответствуют местным нормам.
- Длина гибкого шланга не должна превышать 1,5 м. В Финляндии длина не должна превышать 1,2 м. Шланг должен быть сертифицирован в соответствии с применимым стандартом EN и соответствовать местным нормам.

Обратитесь к своему дилеру LPG за информацией о подходящем регуляторе для газового баллона.

### ▲ ОСТОРОЖНО

Использование неправильного регулятора или шланга небезопасно; Всегда проверяйте, что у вас есть нужные предметы, прежде чем приступить к работе с прибором.

Этот прибор подходит только для использования с бутаном или пропаном низкого давления или смесями сжиженного нефтяного газа, оснащенного соответствующим регулятором низкого давления через гибкий шланг. Срок службы регулятора и шланга оценивается в 2 года.



## СЛУЖБА ПОДДЕРЖКИ

### СВЯЗАТЬСЯ С НАМИ

По всем вопросам, запросам или поддержке клиентов обращайтесь:

**Griddle Masters Europe ApS**

**Blackstone Europe**

**Tel. +45 2424 7709**

**Nordre Strandvej 119, 3150 Hellebæk**

**Denmark**

**[www.blackstone-europe.com](http://www.blackstone-europe.com)**

### ДВА ГОДА ГАРАНТИИ

Компания North Atlantic Imports, LLC гарантирует отсутствие дефектов материалов и изготовления данного продукта в течение двух (2) лет с даты первоначальной покупки при нормальном использовании. В случае возникновения таких дефектов компания North Atlantic Imports, LLC по своему усмотрению бесплатно предоставит соответствующие запасные части.

Компания North Atlantic Imports, LLC ни при каких обстоятельствах не несет ответственности за косвенные, косвенные или случайные убытки, возникшие в результате установки, использования или неисправности продукта.

Данная гарантия НЕ РАСПРОСТРАНЯЕТСЯ:

- Затраты на проверку или трудозатраты на замену любой дефектной детали (деталей);
- Косметические дефекты, не влияющие на эксплуатационные характеристики или целостность продукта;
- Обычный износ;
- Повреждения в результате вандализма; стихийные бедствия, включая, помимо прочего, ветер, штормы, град, наводнения;
- Неправильная сборка, установка или использование;
- Обесцвечивание или выцветание покрытия в результате воздействия химикатов, разливов жидкости, бассейна или соленой воды;
- Коррозия/ржавчина.

Этот продукт был разработан с учетом требований безопасности и качества. Любые изменения, внесенные в исходное изделие, могут поставить под угрозу его структурную целостность или функциональность и привести к выходу изделия из строя или травмам. Таким образом, модификация данного продукта приводит к аннулированию всех гарантий.

Этот продукт предназначен ТОЛЬКО ДЛЯ ЖИЛОГО ИСПОЛЬЗОВАНИЯ и не предназначен для коммерческих, контрактных или других нежилых целей. Компания North Atlantic Imports, LLC отказывается от всех других заявлений и гарантий любого рода, явных или подразумеваемых.

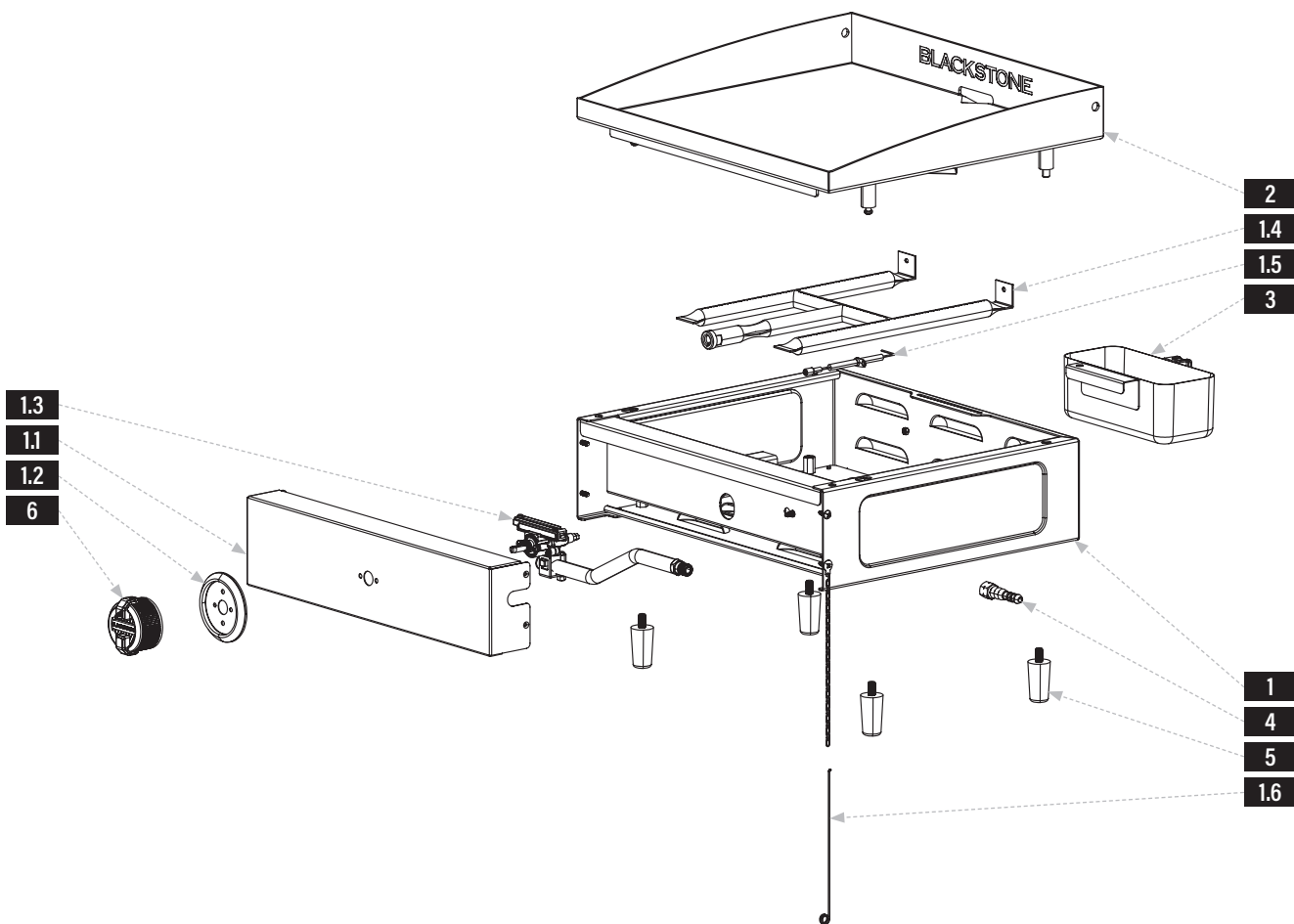
Гарантия распространяется на первоначального покупателя и не подлежит передаче. Она не распространяется на аксессуары или детали, не поставляемые вместе с продуктом, на покупку демонстрационных моделей или на продукт, который продается по распродаже или «как есть». Однако у вас могут быть другие конкретные законные права, основанные на законах вашего конкретного штата или страны проживания. Чтобы активировать гарантию, зарегистрируйте свой продукт на сайте

**[blackstone-europe.com/pages/product-registration](http://blackstone-europe.com/pages/product-registration)**

North Atlantic Imports, LLC оставляет за собой право изменить или модифицировать настоящую гарантию в любое время.

# РУКОВОДСТВО ПО СБОРКЕ

## В РАЗОБРАННОМ ВИДЕ



### СПИСОК ДЕТАЛЕЙ

ЧАСТИ	#
1.1 Панель управления	1
1.2 Безель ручки управления	1
1.3 Газовая рейка	1
1.4 Н горелка	1
1.5 Игла зажигания	1
1.6 Держатель спичек	1

<p><b>1</b> Тело (1 шт.)</p> 	<p><b>2</b> Верхняя часть гриля (1 шт.)</p> 
<p><b>3</b> Чаша для жира (1 шт.)</p> 	<p><b>4</b> Штуцер для шланга (1 шт.)</p> 
<p><b>5</b> Ножки для сковороды (4 шт.)</p> 	<p><b>6</b> Ручка управления (1 шт.)</p> 





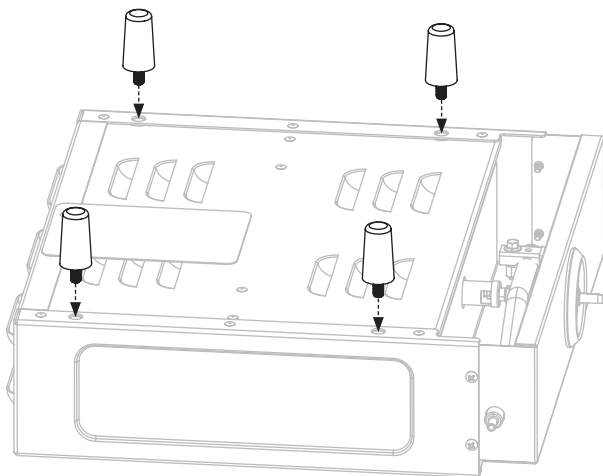
## РУКОВОДСТВО ПО СБОРКЕ

Найдите большое чистое место для сборки прибора.  
Перед сборкой удалите весь упаковочный материал.

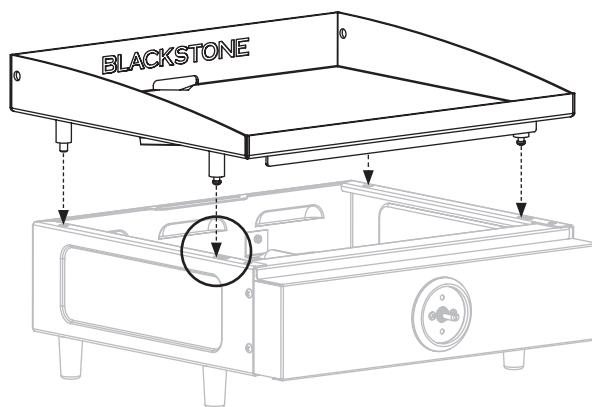
### ⚠ ВНИМАНИЕ

Острые края. При сборке наденьте перчатки.

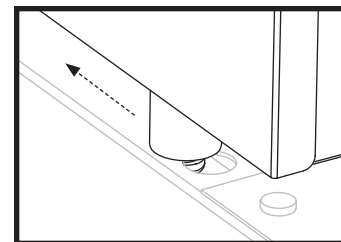
**ШАГ 01** Поместите корпус сковороды вверх дном на гладкую плоскую поверхность. Вставьте четыре (4) ножки сковороды в дно сковороды.



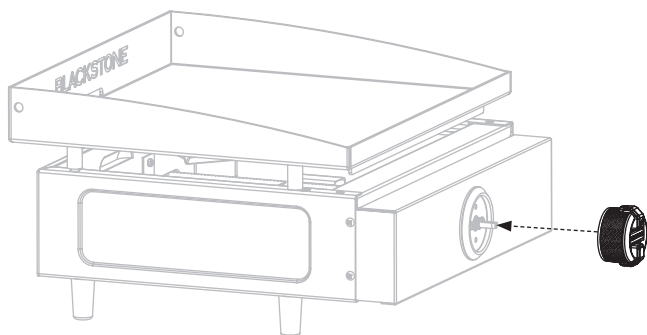
**ШАГ 02** Установите сковороду на ножки. Поместите верхнюю часть сковороды на корпус сковороды, совместив четыре штифта с отверстиями корпуса.



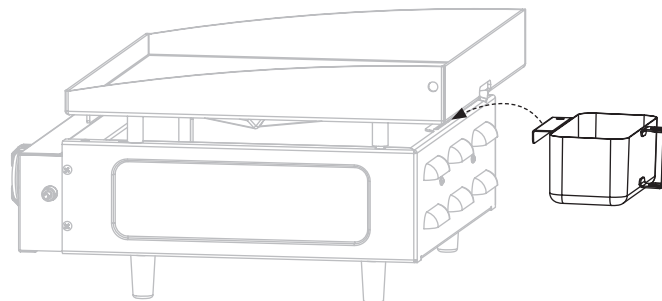
Убедитесь, что передние штифты вошли в отверстия, затем задвиньте верхнюю часть сковороды назад.



**ШАГ 03** Установите ручку управления, вдавив ее в положение ВЫКЛ.

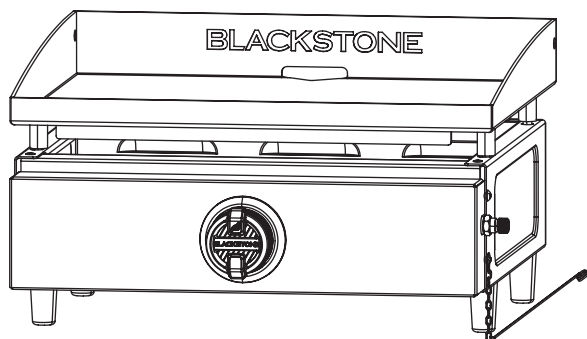


**ШАГ 04** Повесьте чашу для жира в прорезь на задней части корпуса сковороды.





**ШАГ 05** Перейдите к **ИСПОЛЬЗОВАНИЕ ВАШЕГО BLACKSTONE.**



***УВЕДОМЛЕНИЕ***

Во время использования ставьте прибор на термостойкую и огнестойкую поверхность.



# ИСПОЛЬЗОВАНИЕ ВАШЕГО BLACKSTONE

## ПЕРЕД ПРИГОТОВЛЕНИЕМ ПРОВЕРИТЬ ГОРЕЛКИ

Перед подключением и использованием убедитесь, что в головке газового баллона, регуляторе, шланге, горелке и портах горелки нет мусора или повреждений.

Пауки и насекомые могут гнездиться внутри и закупоривать горелку/ трубку Вентури на отверстиях.



**⚠ ОСТОРОЖНО**  
Забитая горелка может привести к возгоранию под прибором.  
При обнаружении засоров горелку следует снимать и очищать.



**⚠ Убедитесь, что отверстие топливной форсунки газовой рампы правильно входит в отверстие горелки.**

**МИНИМАЛЬНАЯ РАБОЧАЯ ТЕМПЕРАТУРА ОКРУЖАЮЩЕЙ СРЕДЫ СОСТАВЛЯЕТ 0°F (-18°C).**

**⚠ ОПАСНО**  
Легковоспламеняющиеся предметы могут воспламениться, если их поместить рядом с прибором. Содержите зону прибора чистой и свободной от горючих материалов, аэрозольных баллончиков, бензина и других легковоспламеняющихся паров и жидкостей.

**⚠ ВНИМАНИЕ**  
Если прибор оснащен держателем для бумажных полотенец, рычаг должен находиться в открытом положении во время использования прибора.

### ЕСЛИ НА КЛАПАН, ШЛАНГ ИЛИ РЕГУЛЯТОР ПОПАЛА СМАЗКА ИЛИ ДРУГОЙ ГОРЯЧИЙ МАТЕРИАЛ:

- ШАГ 01** Немедленно перекройте подачу газа.
- ШАГ 02** Определите причину и устраните ее.
- ШАГ 03** Очистите и осмотрите клапан, шланг и регулятор.
- ШАГ 04** Bir sızıntı testi yapın. (Lütfen Sızıntı Testi Talimatlarına bakın)

## ОБУСТРОЙСТВО ВАШЕГО ОТКРЫТОГО ПРОСТРАНСТВА

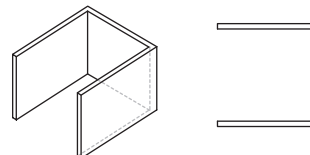
- ЭТОТ ПРИБОР ДОЛЖЕН ИСПОЛЬЗОВАТЬСЯ ТОЛЬКО НА ОТКРЫТОМ ВОЗДУХЕ.**
- Не используйте этот прибор внутри зданий, гаражей или любых других закрытых помещений.
  - Не устанавливайте этот прибор на лодке или на ней.
  - Не устанавливайте это устройство в транспортное средство для отдыха или на него.

### КРЫТЫЕ ОТКРЫТЫЕ ПЛОЩАДКИ:

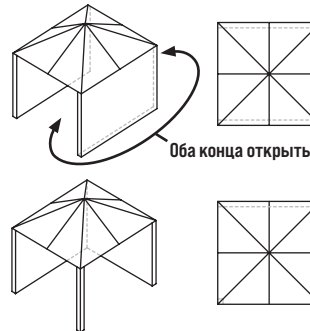
Все отверстия должны быть постоянно открыты; раздвижные двери, гаражные ворота, окна или застекленные проемы не считаются постоянными проемами.

Прибор считается находящимся вне помещения, если он установлен с укрытием не более чем:

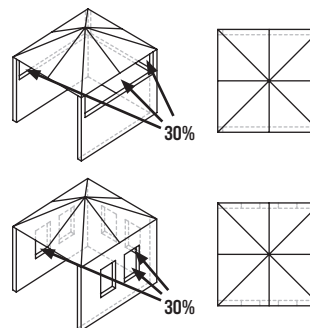
**a.** Со стенами с трех сторон, но без перекрытия.



**b.** Внутри частичного ограждения, включающего верхнюю крышку и не более двух боковых стенок. Боковые стенки могут быть параллельны, как в подворотне, или под прямым углом друг к другу.

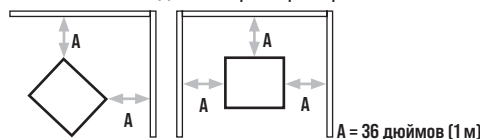


**c.** В частичном ограждении, которое включает верхнюю крышку и три боковые стенки, при условии, что 30% или более горизонтальной периферии ограждения постоянно открыты.



### СОБЛЮДАЙТЕ НАДЛЕЖАЩИЕ РАССТОЯНИЯ ОТ ГОРЮЧИХ МАТЕРИАЛОВ:

- Не используйте этот прибор на балконе или террасе квартиры или многоквартирного дома или под ними.
- Не препятствуйте потоку воздуха для горения и вентиляции.
- Не используйте этот прибор ближе, чем на расстоянии 36 дюймов (1 м) от боковых и задней сторон прибора.

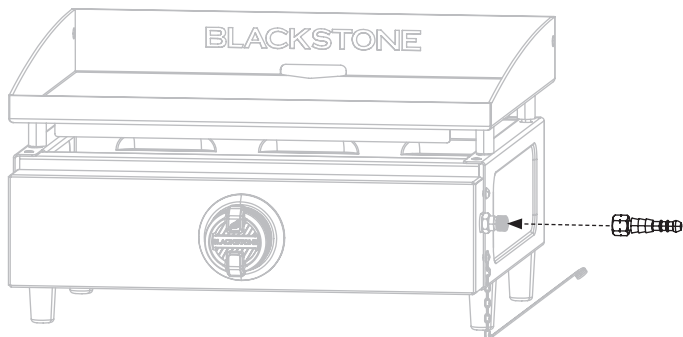


- Не используйте этот прибор под возгораемой конструкцией над головой.

## КРЕПЛЕНИЕ ТОПЛИВНОГО БАЛЛОНА УСТАНОВКА РЕГУЛЯТОРА

**ШАГ 01** Регулятор и шланг должны быть правильно подключены к прибору. Для затягивания гайки на соединительной резьбе необходимо использовать гаечный ключ. При использовании топливного хомута прикрепите наконечник шланга к газовой рампе.

(Барб – это левая резьба.)



**ШАГ 02** Если шланг заменяется, его необходимо закрепить на соединениях прибора и регулятора с помощью хомутов.

### НЕ СКРУЧИВАЙТЕ ГИБКУЮ ТРУБКУ ВО ВРЕМЯ ИСПОЛЬЗОВАНИЯ ПРИБОРА.

- Убедитесь, что шланг не пережат, не перекручен и не соприкасается с какой-либо частью прибора, кроме места соединения.
- Изношенный или поврежденный шланг необходимо заменить.
- Не реже одного раза в год проверяйте резиновое уплотнительное кольцо на конце шланга в сборе со стороны регулятора. Если он выглядит изношенным или треснувшим, замените его.
- Отсоединяйте регулятор от баллона (в соответствии с инструкциями, прилагаемыми к регулятору), когда прибор не используется.

## ИНСТРУКЦИИ ПО ТЕСТИРОВАНИЮ НА УТЕЧКУ

**ШАГ 01** Приготовьте 2-3 жидких унции раствора для обнаружения утечек, смешав одну часть жидкости для мытья посуды с 3 частями воды.

**ШАГ 02** Перекрыть подачу газа краном газового баллона.

**ШАГ 03** Убедитесь, что регулирующий клапан находится в положении «ВЫКЛ.».

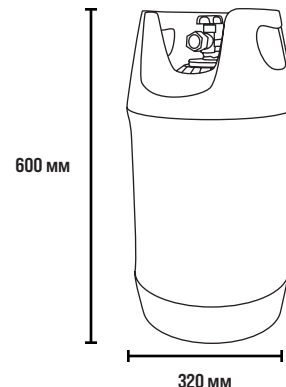
**ШАГ 04** Подсоедините регулятор к баллону и клапан ВКЛ/ВЫКЛ к горелке, убедитесь, что соединения надежны, затем включите газ.

**ШАГ 05** Нанесите мыльную воду на шланг и все соединения. Если появляются пузырьки, значит, имеется утечка, которую необходимо устранить перед использованием. Повторите проверку после устранения неисправности.

**ШАГ 06** Отключите подачу газа на газовом баллоне после использования. Если утечка обнаружена снова и не может быть устранена, не пытайтесь устранить утечку, а обратитесь к своему дилеру по продаже газа.

### ТРЕБОВАНИЯ К ГАЗОВОМУ БАЛЛОНУ

- Ваш прибор можно использовать с газовыми баллонами весом от 11 до 15 кг.
- Максимальный размер газового баллона должен быть: диам. 320 мм, высота: 600 мм (регулятор в комплекте).
- Следуйте технической информации, указанной в руководстве по эксплуатации, и узнайте у местного поставщика газа, есть ли подходящий газовый баллон для вашего прибора.



### БЕЗОПАСНОСТЬ ГАЗОВОГО БАЛЛОНА

- Газовый баллон нельзя ронять или обращаться с ним грубо.
- Если прибор не используется, баллон необходимо отсоединить.
- Наденьте защитный колпачок на цилиндр после отсоединения цилиндра от прибора.
- Газовый баллон должен располагаться вне корпуса прибора.
- Всегда подключайте или заменяйте баллон в хорошо проветриваемом помещении и вдали от любого источника воспламенения, никогда в присутствии пламени, искры или источника тепла.
- Баллоны должны храниться на открытом воздухе в вертикальном положении и в недоступном для детей месте. Баллон ни в коем случае нельзя хранить при температуре выше 50 °C. Не храните баллон рядом с пламенем, сигнальными лампами или другими источниками воспламенения. НЕ КУРИТЬ.
- Следите за тем, чтобы отделение для газового баллона (если оно имеется) не было загромождено, содержало его в чистоте и проветривалось.
- Вам нужно будет обслуживать или заменять цилиндр каждые десять лет. Дата последнего обслуживания должна быть проштампована на горлышке флякона.
- При использовании на земле всегда устанавливайте прибор и цилиндр на ровной поверхности.



## ИНСТРУКЦИИ ПО ЗАЖИГАНИЮ

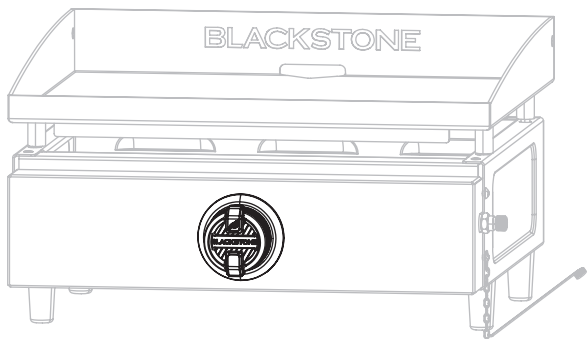
### 1. ОБРАТНЫЕ КЛАПАНЫ

**⚠** Прежде чем проверять клапаны прибора, убедитесь, что газ перекрыт через запорный клапан подачи.

**ШАГ 01** Поверните все ручки в положение «выключено» ①.

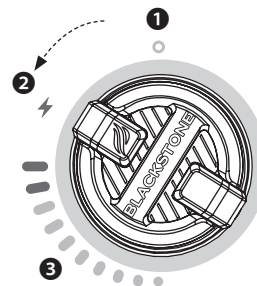
**ШАГ 02** Нажмите на ручку и отпустите. Ручка должна пружинить. Если ручки не отпружинивают, замените клапан в сборе перед использованием прибора.

**ШАГ 03** Поверните ручку в положение LOW, а затем снова в положение OFF. Ручка должна вращаться плавно.



### 2. ПЬЕЗОЭЛЕКТРИЧЕСКОЕ ЗАЖИГАНИЕ ГРИЛЯ

**⚠** Не наклоняйтесь над прибором во время зажигания.



#### ШАГ 01

Включите подачу газа, повернув маховик газового баллона против часовой стрелки на 1-3 оборота.

#### ШАГ 02

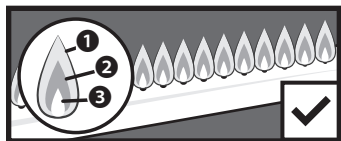
- ① Нажмите ручку управления, чтобы начать подачу газа.
- ② Поверните ручку управления против часовой стрелки, чтобы включить стартер.
- ③ Отрегулируйте температуру до желаемого уровня.

### 3. ВСЕГДА ПРОВЕРЯЙТЕ ПЛАМЯ ГОРЕЛКИ ПЕРЕД ИСПОЛЬЗОВАНИЕМ.

**ШАГ 01** Зажгите конфорки и поверните ручки от ВЫСОКОГО до НИЗКОГО.

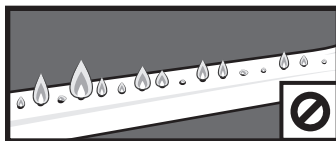
**ШАГ 02** Посмотрите под варочную поверхность, чтобы увидеть горелки. Когда ручка находится в положении HIGH, пламя должно быть больше, чем когда ручка находится в положении LOW.

#### ЗДОРОВЫЙ ОБРАЗЕЦ ПЛАМЕНИ



- ① Мерцания желтого цвета.
- ② Темно-синий цвет. ③ Яркий синий.

#### ЖЕЛТЫЙ ИЛИ НЕРЕГУЛЯРНЫЙ



Если возникло внезапное падение пламени или проблема с низким уровнем пламени, обратитесь к главе «Устранение неполадок».

#### **⚠ ОСТОРОЖНО**

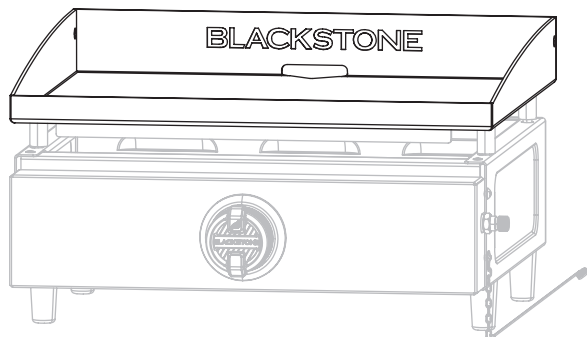
Если горелка не зажигается при открытом клапане подачи газа, газ будет продолжать вытекать из горелки и может случайно/непреднамеренно воспламениться с риском травмирования.

**Если зажигание не происходит в течение 5 секунд:**

1. Выключите ручку управления горелкой.
2. Подожди 5 минут.
3. Повторите процедуру освещения.

Если горелка не зажигается, обратитесь к главе «Устранение неполадок».

## ИНСТРУКЦИИ ПО ПРИПРАВЕ СКОВОРОДЫ



### МЫТЬЕ СКОВОРОДЫ ПЕРЕД ПЕРВЫМ ИСПОЛЬЗОВАНИЕМ

#### УВЕДОМЛЕНИЕ

Мыло испортит приправленную сковороду. Это единственный раз, когда вы должны использовать мыло на варочной поверхности сковороды.

**ШАГ 01** Вымойте варочную поверхность сковороды горячей водой с мылом.

**ШАГ 02** Промойте и полностью высушите.

### ПРИПРАВЬТЕ СКОВОРОДУ



#### ВИДЕОУРОК

Как приправить новую сковороду Blackstone Griddle  
[youtube.com/watch?v=VspmDVnj2pl&t=3s](https://www.youtube.com/watch?v=VspmDVnj2pl&t=3s)

**ШАГ 01** Сотрите весь мусор с верхней части сковороды.



**ШАГ 02** Установите сковороду на сильный огонь, пока верхняя часть сковороды не изменит цвет. (~10 мин)

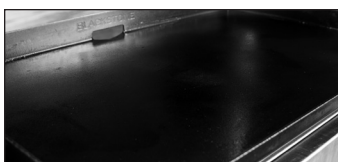


**ШАГ 03** Возьмите щипцами бумажное полотенце или хлопчатобумажную ткань и распределите 2-3 столовые ложки приправы по всей поверхности сковороды. Приправляя поверхность сковороды, не забудьте использовать тонкий и ровный слой масла – чем тоньше слой масла, тем легче его будет сжечь.



**ШАГ 04** Верх сковороды готов к нанесению еще одного слоя масла,

когда перестанет дымиться. Повторите **ШАГ 03** 3-4 раза или пока поверхность сковороды не станет черной.



#### УВЕДОМЛЕНИЕ

Во время использования не храните какие-либо предметы ближе 3 дюймов (8 см) от верхней части сковороды.

#### КАКОЕ МАСЛО ЛУЧШЕ ИСПОЛЬЗОВАТЬ?

- Приправа Blackstone и кондиционер Cast Iron.
- Любое растительное растительное масло.
- Жир животный топленый без добавок.



#### ВНИМАНИЕ

Правильно утилизируйте тряпки/полотенца, использованные для размазывания масла по поверхности сковороды, чтобы предотвратить возгорание, которое может возникнуть из-за самовозгорания.

При правильных условиях остатки масла на тряпках или полотенцах могут окислиться еще долгое время после удаления их с источника тепла. Сам процесс окисления выделяет тепло, которое, если его не рассеивать, может накапливаться и вызывать возгорание тряпок/полотенца и окружающего материала.

### УСТРАНЕНИЕ НЕПОЛАДОК С ПРИПРАВАМИ

НА ПОВЕРХНОСТИ СКОВОРОДЫ ОСТАЕТСЯ КОРИЧНЕВАТЫЙ НАЛЕТ:

#### ВОЗМОЖНЫЕ ПРИЧИНЫ

- Было использовано слишком много масла.
- Вы слишком рано выключили отопление.

#### РЕШЕНИЕ

**ШАГ 01** Включите сковороду на максимум и дайте ей нагреться в течение 10-15 минут.

**ШАГ 02** Соскребите как можно больше загустевшего и частично приготовленного масла.

**ШАГ 03** Снова смазать очень тонким слоем масла.

#### КРАЯ ПОВЕРХНОСТИ СКОВОРОДЫ НЕ ЧЕРНЫЕ:

После использования сковороды для нескольких поваров приправы выровняются и улучшатся.

#### ПРЕДОТВРАЩЕНИЕ РЖАВЧИНЫ

Часто пользуйтесь сковородкой. Каждый раз, когда вы готовите, вы добавляете приправу, что снижает вероятность появления ржавчины.

#### УВЕДОМЛЕНИЕ

Если вы живете во влажном или прибрежном климате, ваша сковорода может потребовать более частого добавления приправ между использованиями.

Если на поверхности сковороды появилась ржавчина, сотрите ее стальной ватой, мелкозернистой наждачной бумагой или пемзой Blackstone и повторно приправьте поверхность.



#### ВИДЕОУРОК

Восстановление гриля Blackstone Griddle Top  
[youtube.com/watch?v=thPE2lgnSil](https://www.youtube.com/watch?v=thPE2lgnSil)





## ГОТОВИМ НА BLACKSTONE

### ⚠ ВНИМАНИЕ

Этот прибор будет горячим во время и после использования. При работе с потенциально горячими частями, включая ручки, расположенные вблизи корпуса прибора, используйте кухонные принадлежности и прихватки/защитные перчатки, чтобы защититься от ожогов и брызг.

### ВИДЕО РЕЦЕПТЫ

Ищите рецепты и советы по приготовлению на:

[BlackstoneProducts.com/recipes](https://BlackstoneProducts.com/recipes)

[youtube.com/BlackstoneGriddles](https://youtube.com/BlackstoneGriddles)

@blackstoneproducts



## УХОД И ОБСЛУЖИВАНИЕ

### ⚠ ОСТОРОЖНО

Скопление жира может привести к возгоранию. Очищайте любую часть прибора, которая нагревается и на которой накапливается жир, после каждого использования.

### ⚠ ВНИМАНИЕ

Вся чистка и техническое обслуживание должны выполняться, когда прибор остыл и все выключено.

- Не используйте абразивную губку на участках с графикой.
- Если для очистки какой-либо из варочных поверхностей используется щетка из щетины, перед приготовлением убедитесь, что на варочных поверхностях не осталось свободных щетинок.

### КОРПУС ПРИБОРА:

Вымойте теплой водой с мылом и сразу вытрите насухо неабразивной тканью. (Не оставляйте чистящие средства на любой пористой поверхности в течение длительного времени.)

### УВЕДОМЛЕНИЕ

Не используйте Citrisol, абразивные чистящие средства или концентрированные чистящие средства для очистки прибора. Это может привести к повреждению и выходу из строя деталей.

## ХРАНЕНИЕ БЫТОВОЙ ТЕХНИКИ

### ⚠ ОСТОРОЖНО

Не перемещайте прибор во время использования. Дайте прибору остыть до 115°F (45°C) перед перемещением или хранением.

Хранение прибора в помещении допускается только в том случае, если подача газа отключена и снята с прибора.

### РУКОВОДСТВО ПО УСТАНОВКЕ КРЫШКИ

Всегда накрывайте прибор, если он хранится на открытом воздухе.



Чтобы найти чехол, подходящий для вашего прибора, посетите [BlackstoneProducts.com/support](https://BlackstoneProducts.com/support).

## ОЧИСТКА ПОВЕРХНОСТИ СКОВОРОДЫ

Очищайте поверхность сковороды после каждого использования, пока она еще теплая.

- Не используйте мыло на поверхности сковороды. Это уничтожит приправу сковороды.



### ВИДЕОУРОК

Как почистить сковороду Blackstone Griddle  
[youtube.com/watch?v=-ledu9z6NPY](https://youtube.com/watch?v=-ledu9z6NPY)

**ШАГ 01** С помощью шпателя или прямого металлического скребка втолкните остатки пищи в масленку.



**ШАГ 02** Протрите верх сковороды бумажным полотенцем.



**ШАГ 03** Нанесите несколько столовых ложек воды на поверхность сковороды, затем соскребите воду и мусор в чашу для жира.  
 (Для прилипших остатков пищи используйте немного крупной соли.)



**ШАГ 04** Снова протрите бумажным полотенцем и полностью высушите.



**ШАГ 05** Нанесите тонкий слой растительного масла, чтобы сохранить приправу и защитить поверхность сковороды.



## ОПОРОЖНИТЕ ЧАШКУ ДЛЯ ЖИРА

Масленку необходимо снимать и опорожнять после каждого использования.

### ⚠ ВНИМАНИЕ

Чаша для жира будет горячей во время и после использования. Не снимайте масленку, пока сковорода полностью не остынет.

## ОЧИСТКА УЗЛА ГОРЕЛКИ

Чтобы уменьшить вероятность «возврата», описанную ниже процедуру следует выполнять не реже одного раза в месяц, когда пауки наиболее активны или когда ваш прибор не использовался в течение определенного периода времени.



### ВИДЕОУРОК

Как очистить трубку горелки  
[youtube.com/watch?v=xKQTCrFcZf8](https://youtube.com/watch?v=xKQTCrFcZf8)

**ШАГ 01** Отсоедините узел регулятора от газового баллона, повернув быстроразъемную гайку по часовой стрелке.

- Снимите верхнюю часть сковороды.
- Снимите горелку, потянув за зажим горелки. Используйте отвертку или острогубцы.

**ШАГ 02** Осторожно поднимите горелку вверх и в сторону от отверстия газового клапана.

**ШАГ 03** Очистите внутреннюю часть горелки:

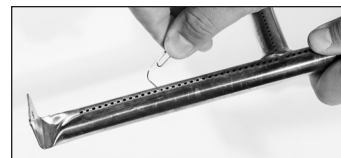
- Пропустите бутылочную щетку (не проволочную щетку) или жесткую проволоку, согнутую в небольшой крючок, через каждую трубку горелки несколько раз.
- Используйте сжатый воздух, чтобы продуть трубку горелки и отверстия горелки (наденьте защитные очки).



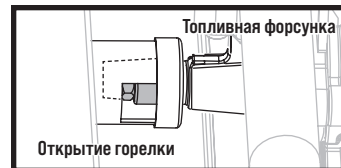
**ШАГ 04** Очистите всю внешнюю поверхность горелки щеткой, чтобы удалить грязь.



**ШАГ 05** Очистите все заблокированные порты жесткой проволокой, например открытой скрепкой.



**ШАГ 06** Осторожно замените горелки и установите их снова, обращая внимание на расположение иглы розжига.



⚠ Топливная форсунка газовой рампы должна снова войти в отверстие горелки.





## ИСПРАВЛЕНИЕ ПРОБЛЕМ

### УСТРАНЕНИЕ НЕПОЛАДОК ЗАЖИГАНИЯ

#### ГОРЕЛКА НЕ ЗАЖИГАЕТСЯ:

Если зажигание не происходит в течение 5 секунд:

**ШАГ 01** Выключите ручку управления горелкой.

**ШАГ 02** Подождите 5 минут.

**ШАГ 03** Повторите процедуру освещения.

Если это не работает, для определения причины попробуйте поджечь прибор спичкой.

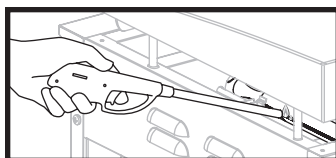
#### ИНСТРУКЦИИ ПО ОСВЕЩЕНИЮ МАТЧА

Перед началом проверьте наличие утечек газа. Откройте капот (если есть).

**ШАГ 01** Поверните ручку управления в положение ВЫКЛ.

**ШАГ 02** Зажгите спичку (или длинную зажигалку) длиной не менее 11 дюймов.

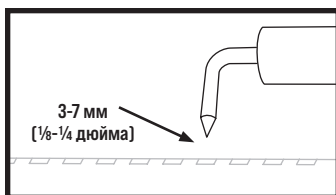
**ШАГ 03** Поместите пламя рядом с горелкой.



**ШАГ 04** Нажмите и поверните ручку управления, чтобы начать подачу газа. Убедитесь, что горелка горит и горит постоянно.

#### ЕСЛИ ВЫ МОЖЕТЕ ЗАЖЕЧЬ ПРИБОР СПИЧКОЙ:

ВОЗМОЖНЫЕ ПРИЧИНЫ	РЕШЕНИЕ
Провод зажигания смещен.	Убедитесь, что игла воспламенителя расположена на расстоянии 3-7 мм (1/8-1/4 дюйма) от горелки и совмещена с отверстиями горелки.



Повреждение системы зажигания.	Обратитесь в сервисную службу для замены деталей.
--------------------------------	---

### УСТРАНЕНИЕ НЕПОЛАДОК С ПОТОКОМ ГАЗА

#### ПРИБОР НЕ ОБЕСПЕЧИВАЕТ ВЫСОКУЮ ТЕМПЕРАТУРУ ИЛИ НАГРЕВАЕТСЯ НЕРАВНОМЕРНО:

- Пламя горелки желтое или неравномерное.
- Пламя горелки начинается сильным, а затем сразу же падает до минимума, даже если горелка находится в верхнем положении.
- Высота пламени падает, когда зажигается вторая горелка.
- Пламя не распространяется по всей длине горелки или проходит только с одной стороны горелки.
- Пламя горелки непостоянно.

ВОЗМОЖНЫЕ ПРИЧИНЫ	РЕШЕНИЕ
Препятствия в горелке, газовых форсунках или топливной рампе.	Очистите горелку, форсунки и газовый шланг.
Газовый баллон пуст или низкий.	Заправьте или замените газовый баллон.

- Пламя выходит из воздушных ворот.



ВОЗМОЖНЫЕ ПРИЧИНЫ	РЕШЕНИЕ
Что-то блокирует трубку Вентури в горелке.	Очистите узел горелки, чтобы удалить препятствие.

#### ЕСЛИ ВЫ НЕ МОЖЕТЕ ЗАЖЕЧЬ ПРИБОР СПИЧКОЙ:

ВОЗМОЖНЫЕ ПРИЧИНЫ	РЕШЕНИЕ
Трубки горелки не получают топливо.	Очистите узел горелки, чтобы удалить препятствие.



Эта страница специально оставлена пустой

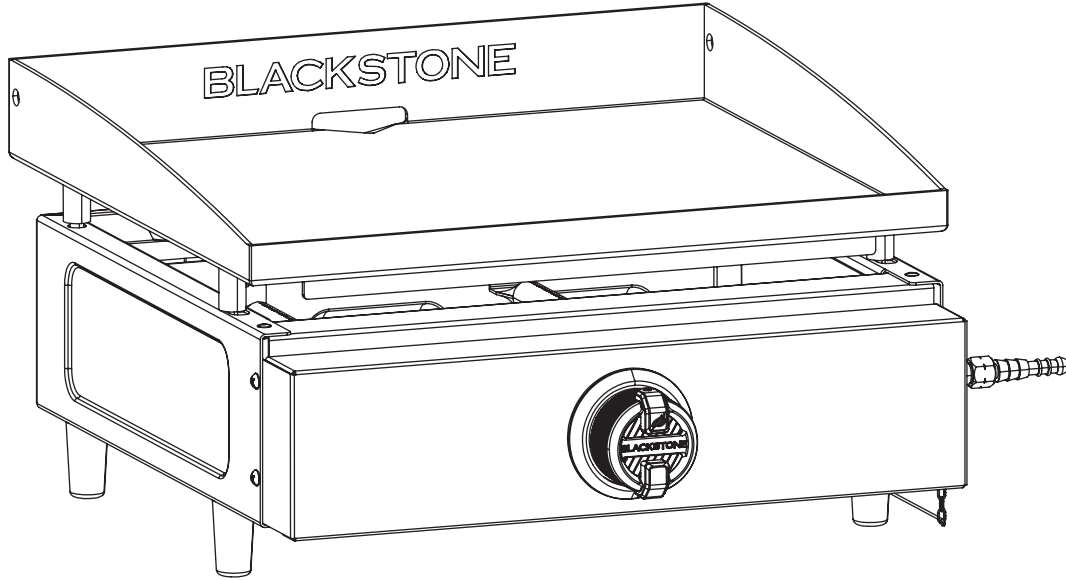


Эта страница специально оставлена пустой



Этот продукт может быть защищен одним или несколькими выданными американскими и/или международными патентами и может включать патентные заявки, находящиеся на рассмотрении.

Для получения дополнительной информации посетите:  
[BlackstoneProducts.com/patents](https://BlackstoneProducts.com/patents)



OMISTAJAN OPAS

# 17" PARILAGRILLI

## SISÄLLYSLUETTELO

TÄRKEITÄ TURVALLISUUSTIETOJA .....	02
ASIAKASPALVELU .....	03
KOKOAMISOPAS .....	04
BLACKSTONEN KÄYTTÄMINEN .....	07
ONGELMIEN KARTTOITTAMINEN .....	13

### TÄRKEÄ:

Tämä käyttöohje sisältää tärkeitä laitteen oikean kokoamisen ja turvallisen käytön kannalta tarpeelliset tiedot.

Lue ja noudata kaikkia varoituksia ja ohjeita ennen laitteen kokoamista ja käyttöä.

Noudata kaikkia varoituksia ja ohjeita, kun käytät laitetta.

Säilytä tämä käyttöopas myöhempää tarvetta varten.

Asentaja/asentaja: Jätä nämä ohjeet kuluttajalle.



Saat tämän oppaan uusimman version skannaamalla tämän koodin tai käymällä osoitteessa [BlackstoneProducts.com/support](https://BlackstoneProducts.com/support)

### VAROITUSKOLMIOT

#### ⚠ VAARA

Osoittaa vaaratilanteen, joka johtaa kuolemaan tai vakavaan loukkaantumiseen, jos sitä ei vältetä.

#### ⚠ HUOMIO

Osoittaa vaaratilanteen, joka voi johtaa lievään tai kohtalaiseen loukkaantumiseen, jos sitä ei vältetä.

#### ⚠ VAROITUS

Osoittaa vaaratilanteen, joka voi johtaa kuolemaan tai vakavaan loukkaantumiseen, jos sitä ei vältetä.

#### HUOMAUTUS

Ilmaisee tietoja, joita pidetään tärkeänä, mutta ei vaaroihin liittyviä (esim. omaisuusvahinkoja koskevat viestit).

# TÄRKEITÄ TURVALLISUUSTIETOJA

SUOMI

## TURVALLISUUTESI VUOKSI

Jos haistat kaasua:

1. Katkaise kaasun syöttö kaasusylinteristä.
2. Sammuta kaikki avoimet liekit; älä käytä mitään sähkölaitteita.
3. Tuuleta alue.
4. Tarkista vuotojen varalta tässä käsikirjassa kuvatulla tavalla.
5. Jos haju jatkuu, ota välittömästi yhteyttä jälleenmyyjään tai kaasuntoimittajaan.

## VAROTOIMENPITEET

1. Tarkista kaikkien liitännöiden vuoto jokaisen säiliön täytön jälkeen.
2. Älä koskaan tarkista vuotoja avotulella, käytä aina saippuavesiliuosta.
3. ÄLÄ säilytä tai käytä bensiiniä tai muita syttyviä höyryjä ja nesteitä tämän laitteen läheisyydessä.
4. Kaasupulloa, jota ei ole kytketty käyttöä varten, ei saa säilyttää tämän tai minkään muun laitteen läheisyydessä.



## VAARALLINEN TULIPALO TAI RÄJÄHDYS SAATTAA AIHEUTUA, JOS OHJEET JÄTETÄÄN NOUDATTAMATTA.

Kuluttajan vastuulla on varmistaa, että laite on oikein koottu, asennettu ja huollettu. Tämän oppaan ohjeiden noudattamatta jättäminen voi johtaa loukkaantumiseen ja/tai omaisuusvahinkoon.

<b>MALLI/TYYPPI NRO.</b>	2142EU		<b>CE</b>	<b>UK</b>
<b>LÄMMÖN SYÖTTÖ:</b>	1 x 3.5 kW	<b>KOKONAIS:</b> 3.5 kW (254.5 g/h)	2531-23	8504-23
<b>KAASULUOKKA:</b>	<b>I3+(28~30/ 37)</b>	<b>I3B/P(30)</b>	<b>I3B/P(50)</b>	
<b>KAASUTYYPIT:</b>	Butaani (G30)	Propani (G31)	G30, G31 tai niiden seokset	
<b>KAASUN PAINE:</b>	(28-30) mbar	37mbar	(28-30) mbar 50 mbar	
<b>PIN-KOODI:</b>	<b>CE:</b> 2531DN-0117	<b>UKCA:</b> 8504D0-0003	<b>UKCA:</b> 8504D0-0003	
	BE, FR, IT, LU, IE, GB, GR, PT, ES, CY, CZ, LT, CH, SI, LV, TR	LU, NL, DK, FI, SE, CY, CZ, EE, LT, MT, SK, SI, BG, IS, NO, HR, RO, IT, HU, LV, GR	DE, AT, CH, SK	
<b>Käytä vain ulkona.</b>				
<b>Lue ohjeet ennen laitteen käyttöä.</b>				
<b>⚠ VAROITUS: Esillä olevat osat voivat olla erittäin kuumia. Pidä pienet lapset loitolla.</b>				
<b>Tämä laite on pidettävä loitolla syttyvistä materiaaleista käytön aikana.</b>				
<b>Älä siirrä laitetta käytön aikana.</b>				
<b>Katkaise kaasunsyöttö kaasusylinteristä käytön jälkeen.</b>				
<b>Älä muuta laitetta.</b>				

## SÄÄDINTÄ JA LETKUA KOSKEVAT VAATIMUKSET

- Käytä vain nestekaasulle hyväksytyjä säätimiä ja letkuja yllä mainituilla paineilla. Käytettävän letkun on oltava käyttömaan standardien mukainen.
- Käytä sopivaa säädintä, joka on sertifioitu BSEN 12864 tai EN 16129 mukaisesti. Varmista, että säädin ja joustava letku ovat paikallisten määräysten mukaisia.
- Taipuisan letkun pituus ei saa ylittää 1,5 metriä. Suomessa pituus saa olla enintään 1,2 metriä. Letkun tulee olla sovellettavan EN-standardin mukainen ja paikallisten määräysten mukainen.

Ota yhteyttä nestekaasun jälleenmyyjään saadaksesi tietoa sopivasta kaasusylinterille sopivasta säätimestä.

## ⚠ VAROITUS

Väärän säätimen tai letkun käyttö ei ole turvallista; Tarkista aina ennen laitteen käyttöä, että sinulla on oikeat osat.

Tämä laite soveltuu käytettäväksi vain matalapaineisen butaani- tai propaanikaasu- tai nestekaasuseosten kanssa, jotka on varustettu sopivalla matalapainesäätimellä joustavan letkun kautta.

Säätimen ja letkun odotettavissa oleva elinikä on 2 vuotta.



# ASIAKASPALVELU

## OTA MEIHIN YHTEYTTÄ

Jos sinulla on kysyttävää, tiedustelut tai asiakastuki, ota yhteyttä:

**Griddle Masters Europe ApS**

**Blackstone Europe**

**Tel. +45 2424 7709**

**Nordre Strandvej 119, 3150 Hellebæk**

**Denmark**

**[www.blackstone-europe.com](http://www.blackstone-europe.com)**

## KAHDEN VUODEN TAKUU

North Atlantic Imports, LLC myöntää tälle tuotteelle materiaali- ja valmistusvirheiden varalta kahden (2) vuoden takuun alkuperäisestä ostopäivästä normaalkäytössä. Siltä osin kuin tällaisia vikoja esiintyy, North Atlantic Imports, LLC toimittaa oman harkintansa mukaan asianmukaiset varaosat veloituksetta.

North Atlantic Imports, LLC ei ole missään tapauksessa vastuussa väliolisista, epäsuorista tai satunnaisista vahingoista, jotka johtuvat tuotteen asennuksesta, käytöstä tai viasta.

Tämä takuu EI kata:

- Viallisten osien vaihto- tai työkuukustannukset;
- Kosmeettiset viat, jotka eivät vaikuta tuotteen suorituskykyyn tai eheyteen;
- Normaalia kulumista;
- Ilkivallan aiheuttamat vahingot; luonnontapahtumat, mukaan lukien mutta ei rajoittuen tuuli, myrskyt, rakeet, tulvat;
- Virheellinen kokoonpano, asennus tai käyttö;
- Viimeistelyn värimuutos tai haalistuminen kemikaaleille, roiskeille, uima-altaalle tai suolavedelle altistumisen seurauksena;
- Korrosio / ruoste.

Tämä tuote on suunniteltu turvallisuutta ja laatua ajatellen. Kaikki alkuperäiseen tuotteeseen tehdyt muutokset voivat vaarantaa sen rakenteellisen eheyden tai toiminnan ja johtaa tuotteen vioittumiseen tai henkilövahinkoon. Sellaisenaan tämän tuotteen muuttaminen mitätöi kaikki takuut.

Tämä tuote on tarkoitettu VAIN ASUNTOKÄYTTÖÖN, eikä se ole tarkoitettu kaupallisiin, sopimus- tai muihin kuin asuintarkoituksiin. North Atlantic Imports, LLC kiistää kaikki muut nimenomaiset tai epäsuorat esitykset ja takuut.

Takuu koskee alkuperäistä ostajaa, eikä sitä voi siirtää. Se ei koske lisävarusteita tai osia, joita ei toimiteta tuotteen mukana, näyttömallien ostoja tai tuotteita, jotka myydään tyhjennyksellä tai sellaisenaan. Sinulla voi kuitenkin olla muita erityisiä laillisia oikeuksia, jotka perustuvat oman osavaltiosi tai asuinmaasi lakeihin.

Aktivoi takuusi rekisteröimällä tuotteesi osoitteessa

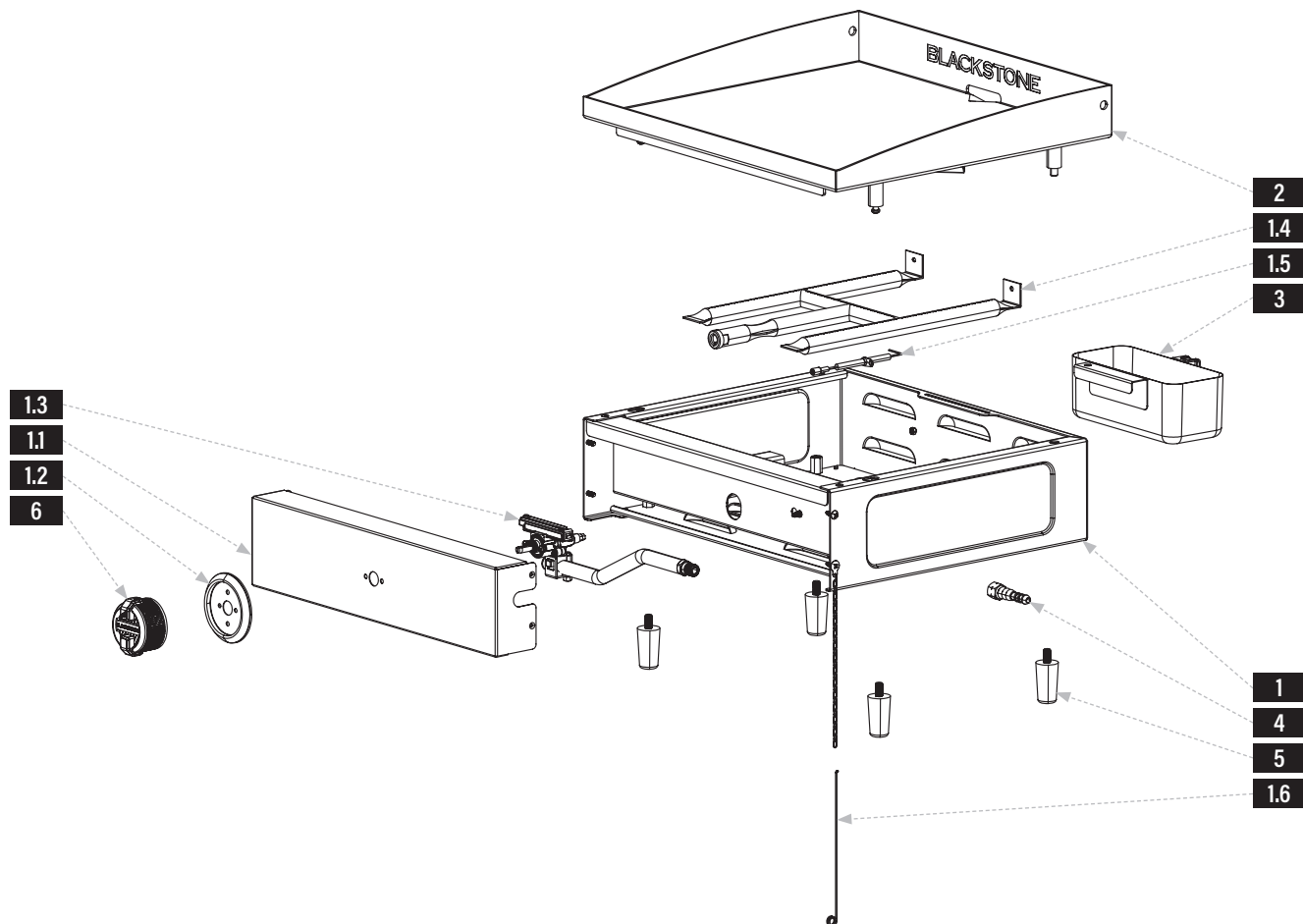
**[blackstone-europe.com/pages/product-registration](http://blackstone-europe.com/pages/product-registration)**

North Atlantic Imports, LLC pidättää oikeuden muuttaa tätä takuuta milloin tahansa.

# KOKOAMISOPAS

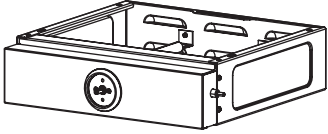
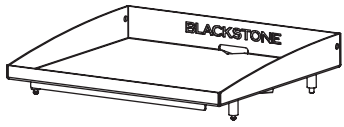
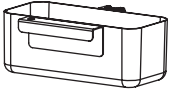
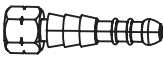


## RÄJÄYTYSNÄKYMÄ

SUOMI



## OSALUETTELO

OSAT	#
1.1 Ohjauspaneeli	1
1.2 Ohjausnupin kehys	1
1.3 Kaasun rautatie	1
1.4 H poltin	1
1.5 Sytytysneula	1
1.6 Match tikkupidike	1

<b>1</b> Runko (1 kpl) 	<b>2</b> Grillauslevy (1 kpl) 
<b>3</b> Rasvakuppi (1 kpl) 	<b>4</b> Letkun väkäs (1 kpl) 
<b>5</b> Parilan jalat (4 kpl) 	<b>6</b> Säädin (1 kpl) 





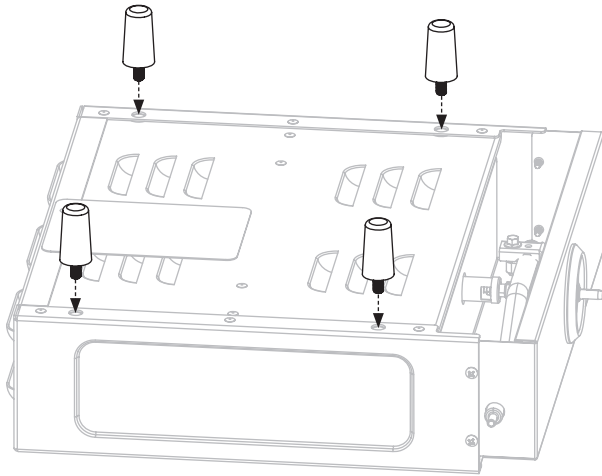
## KOKOAMISOHJEET

Etsi suuri, puhtas alue laitteesi kokoamista varten.  
Poista kaikki pakkausmateriaalit ennen kokoamista.

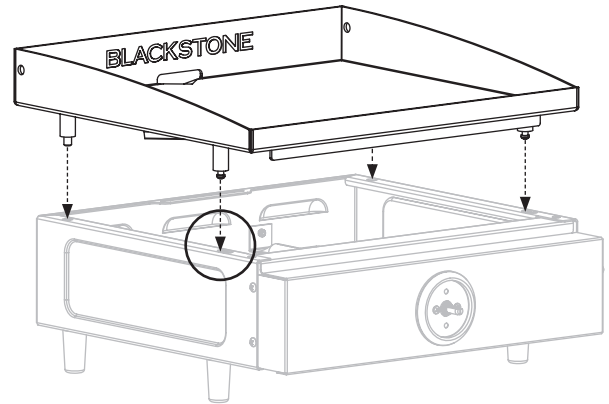
### ⚠ HUOMIO

Terävät reunat. Käytä käsineitä kokoamisen aikana.

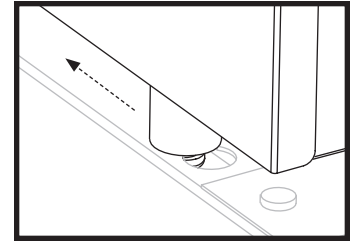
**VAIHE 01** Aseta parakon runko ylösalaisin tasaiselle tasaiselle pinnalle. Pujota neljä (4) parilan jalkaa parakon pohjaan.



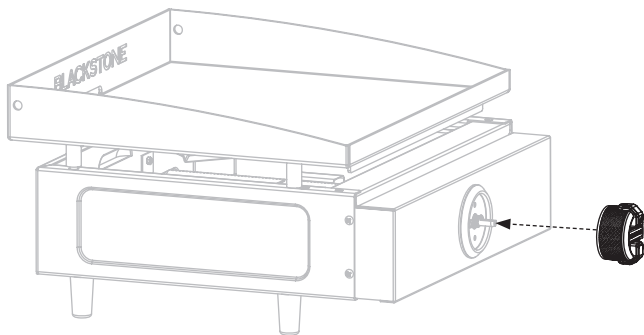
**VAIHE 02** Aseta parila jaloilleen. Aseta parakon yläosa parakon runkoon kohdistamalla neljä tappia rungon reikiin.



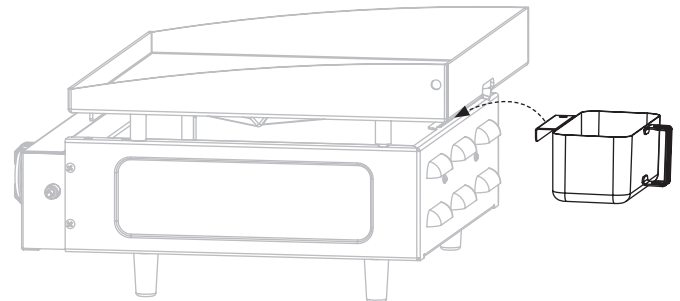
Varmista, että etumaiset tapit ovat koloissa, ja työnnä sitten parilan yläosa taaksepäin.



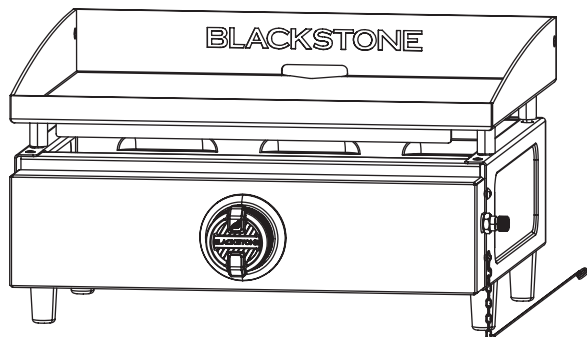
**VAIHE 03** Asenna säätönappi työntämällä se paikalleen OFF-asentoon.



**VAIHE 04** Ripusta rasvakuppi grillin rungon takana olevaan koloon.



**VAIHE 05** Siirry kohtaan **BLACKSTONEN KÄYTTÄMINEN.**



**HUOMAUTUS**

Aseta laite lämmön- ja tulenkestävälle pinnalle käytön aikana.

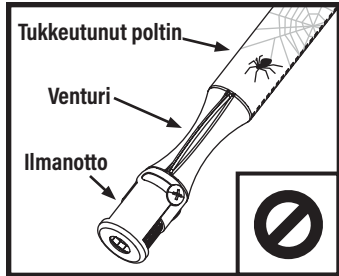
# BLACKSTONEN KÄYTTÄMINEN

## ENNEN RUOANLAITTOA

### TARKISTA POLTTIMET

Varmista ennen liittämistä ja käyttöä, ettei kaasupullon, säätimen, letkun, polttimen ja poltinporttien päähän ole tarttunut roskaa tai vaurioita.

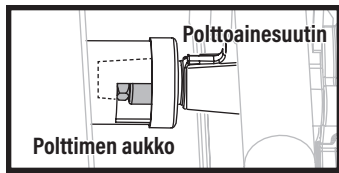
Hämähäkit ja hyönteiset voivat pesiä ja tukkia polttimen/venturin putken aukon kohdalla.



**VAROITUS**

Tukkeutunut poltin voi aiheuttaa tulipalon laitteen alla.

Polttin tulee poistaa ja puhdistaa aina, kun tukoksia löytyy.



**!** Varmista, että kaasuputken polttoainesuuttimen aukko on kunnolla kiinni polttimen aukossa.

**YMPÄRISTÖN VÄHIMMÄISLÄMPÖTILA ON 0°F (-18°C).**

**VAARA**

Syttyvät esineet voivat syttyä, jos ne asetetaan laitteen lähelle.

Pidä laitteen alue puhtaana ja vapaana palavista materiaaleista, aerosolisäiliöistä, bensiinistä ja muista syttyvistä höyryistä ja nesteistä.

**HUOMIO**

Jos laitteessa on paperipyyhke, varren on oltava auki-asennossa laitteen ollessa käytössä.

**JOS RASVAA TAI MUUTA KUUMAA MATERIAALIA TIPPUU VENTTIILIIN, LETKUUN TAI SÄÄTIMEEN:**

**VAIHE 01** Katkaise kaasun syöttö välittömästi.

**VAIHE 02** Selvitä syy ja korjaa se.

**VAIHE 03** Puhdista ja tarkasta venttiili, letku ja säädin.

**VAIHE 04** Suorita vuototesti. (Katso vuototestiohjeet)

## ULKOTILOJEN JÄRJESTÄMINEN

**TÄTÄ LAITETTA SAA KÄYTTÄÄ VAIN ULKONA.**

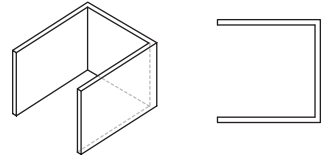
- ÄLÄ käytä tätä laitetta rakennuksissa, autotalleissa tai muissa suljetuissa tiloissa.
- ÄLÄ asenna tätä laitetta veneeseen tai veneeseen.
- ÄLÄ asenna tätä laitetta vapaa-ajan ajoneuvoon tai sen päälle.

### SUOJATUT ULKOALUEET:

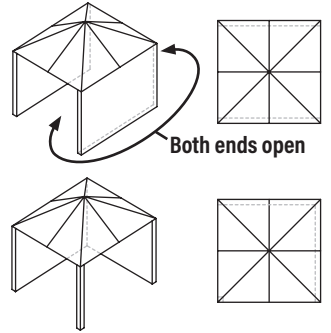
Kaikkien aukkojen on oltava pysyvästi auki; liukuovia, autotallin ovia, ikkunoita tai suojattuja aukkoja ei pidetä pysyvinä aukkoina.

Laitteen katsotaan olevan ulkona, jos se on asennettu suojan kanssa enintään:

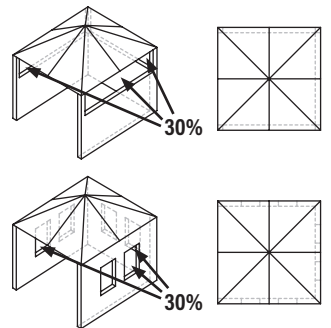
a. Seinät kolmella sivulla, mutta ilman kattoa.



b. Osittaisessa kotelossa, jossa on kattosuojus ja enintään kaksi sivuseinämää. Sivuseinät voivat olla yhdensuuntaisia, kuten tuulessa, tai suorassa kulmassa toisiinsa nähden.

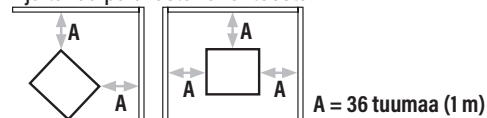


c. Osittaisessa kotelossa, jossa on yläkansi ja kolme sivuseinämää, niin kauan kuin 30 % tai enemmän kotelon vaakasuuntaisesta reunasta on jatkuvasti auki.



### SÄILYTÄ ASIANMUKAISET ETÄISYYDET PALAVASTA MATERIAALISTA.

- ÄLÄ käytä tätä laitetta asunnon tai asunnon parvekkeella tai terassilla tai sen alla.
- ÄLÄ estä palamis- ja tuuletusilman virtausta.
- ÄLÄ käytä tätä laitetta lähempänä kuin 1 m (36 tuumaa) laitteen sivuista ja takaa palavasta rakenteesta.

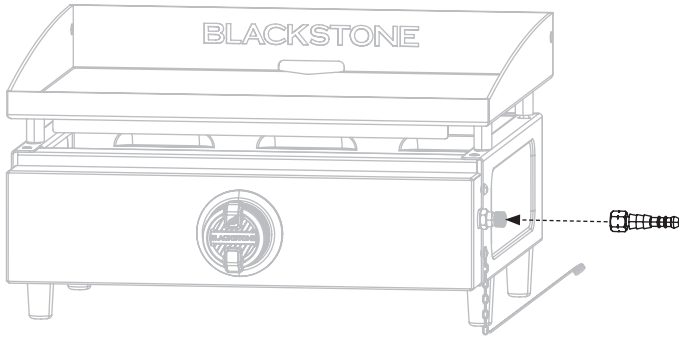


- ÄLÄ käytä tätä laitetta yläpuolella olevan palavan rakenteen alla.

## POLTTOAINESYLINTERIN KIINNITYS SÄÄTIMEN KIINNITYS

**VAIHE 01** Säädin ja letku on liitettävä oikein laitteeseen. Mutterin kiristämiseen liitoskierteeseen on käytettävä avainta.

Jos käytät polttoainepuristinta, kiinnitä letkun väkänen kaasukiskoon. (Väike on vasenkätinen lanka.)



**VAIHE 02** Jos letku vaihdetaan, se on kiinnitettävä laitteeseen ja säätimen liitäntöihin letkunkiristimillä.

### VÄLTÄ JOUSTAVAN PUTKEN KIERTÄMISTÄ LAITTEEN OLLESSA KÄYTÖSSÄ.

- Varmista, että letku ei ole tukossa, mutkalla tai kosketuksissa mihinkään laitteen osaan muualla kuin sen liitännässä.
- Kulunut tai vaurioitunut letku on vaihdettava.
- Tarkista letkukokoonpanon säätimen päässä oleva kuminen O-rengas vähintään kerran vuodessa. Jos se näyttää kuluneelta tai halkeilevalta, vaihda se.
- Irrota säädin sylinteristä (säätimen mukana toimitettujen ohjeiden mukaan), kun laitetta ei käytetä.

## VUOTOTESTIN OHJEET

**VAIHE 01** Valmista 2-3 desiä unssia vuodonilmaisuliuosta sekoittamalla yksi osa pesuainetta 3 osaan vettä.

**VAIHE 02** Katkaise kaasun syöttö kaasupullon venttiilistä.

**VAIHE 03** Varmista, että ohjausventtiili on "OFF".

**VAIHE 04** Liitä säädin sylinteriin ja ON/OFF-venttiili polttimeen, varmista, että liitännät ovat kunnolla kiinni ja kytke sitten kaasu PÄÄLLE.

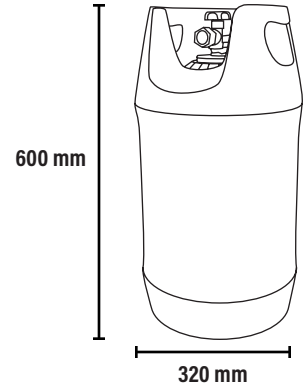
**VAIHE 05** Harjaa saippuavettä letkuun ja kaikkiin liitoksiin. Jos ilmaantuu kuplia, sinulla on vuoto, joka on korjattava ennen käyttöä. Testaa uudelleen vian korjaamisen jälkeen.

**VAIHE 06** Katkaise kaasunsyöttö kaasusäiliöstä käytön jälkeen.

Jos vuoto havaitaan uudelleen eikä sitä voida korjata, ÄLÄ yritä korjata vuotoa, vaan ota yhteyttä kaasuliikkeeseen.

### NESTEKAASUPULLON VAATIMUKSET

- Laitettasi voidaan käyttää 5-11 kg painavien kaasupullojen kanssa.
- Kaasupullon enimmäiskoon tulee olla: Halk. 320mm, Korkeus: 600mm (säädin mukana).
- Noudata käyttöohjeessa annettuja teknisiä tietoja ja tarkista paikalliselta kaasuntoimittajalta sopiva kaasupullo laitteellesi.



### KAASUPULLON TURVALLISUUS

- Kaasupulloa ei saa pudottaa tai käsitellä karkeasti.
- Jos laitetta ei käytetä, sylinteri on irrotettava.
- Aseta sylinterin suojakorkki takaisin, kun olet irrottanut sylinterin laitteesta.
- Kaasupullo on sijoitettava laitteen rungon ulkopuolelle.
- Liitä tai vaihda sylinteri aina hyvin tuuletetussa tilassa ja kaukana kaikista sytytyslähteistä, ei koskaan liekin, kipinän tai lämmönlähteen lähellä.
- Sylinterit on säilytettävä ulkona pystyasennossa ja poissa lasten ulottuvilta. Sylinteriä ei saa koskaan säilyttää paikassa, jossa lämpötila voi nousta yli 50 °C:een. ÄLÄ säilytä sylinteriä liekkien, merkkivalojen tai muiden sytytyslähteiden lähellä. ÄLÄ TUPAKOI.
- Varmista, että kaasupullotila (jos sellainen on) ei ole tukossa, pidä se tuuletettuna ja puhtaana.
- Sylinteri on huollettava tai vaihdettava kymmenen vuoden välein. Viimeisimmän huollon päivämäärä tulee leimata pullon kaulaan.
- Kun käytät sitä maassa, aseta laite ja sylinteri aina tasaiselle alustalle.



## SYTYTYSOHJEET

### 1. TAKAISKUVENTTIILIT

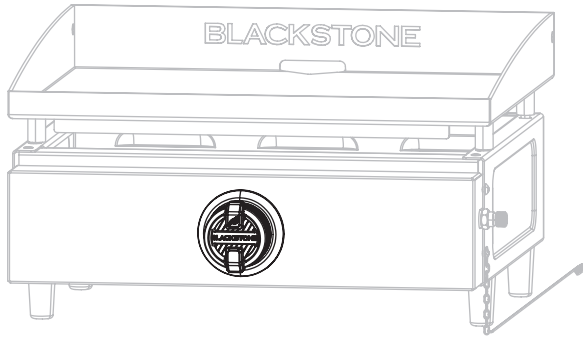
▲ Varmista, että kaasu on poissa tulon sulkuventtiilistä ennen laitteen venttiilien tarkistamista.

**VAIHE 01** Käännä kaikki nupit ❶ off-asentoon.

**VAIHE 02** Paina nappi sisään ja vapauta. Nupin pitäisi ponnahtaa takaisin.

Jos nupit eivät ponnahta takaisin, vaihda venttiilikokoonpano ennen laitteen käyttöä.

**VAIHE 03** Käännä nappi asentoon LOW ja käännä sitten takaisin asentoon OFF. Nupin tulee pyöriä tasaisesti.

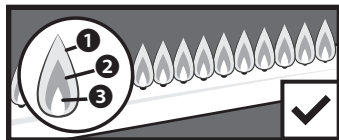


### 3. TARKISTA AINA POLTTIMEN LIEKKI ENNEN KÄYTTÖÄ.

**VAIHE 01** Sytytä polttimet ja käännä nuppeja HIGH-asennosta LOW-asentoon.

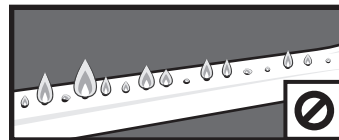
**VAIHE 02** Katso keittotason alle nähdäksesi polttimet. Kun nappi on asennossa HIGH, liekkien tulee olla suurempia kuin silloin, kun nappi on asennossa LOW.

#### TERVE LIEKKIKUVIO



- ❶ Keltaisia välkkymiä.
- ❷ Väri tummansininen.
- ❸ Eloisa sininen.

#### KELTAINEN TAI EPÄSÄÄNNÖLLINEN

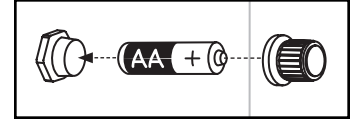


Jos kyseessä on äkillinen pudotus tai matala liekki, katso lukua Vianetsintä.

### 2. PARISTOKÄYTTÖINEN SYTYTYSVIRTA

**VAIHE 01** Aseta yksi (1) AA-paristo (ei sisälly) sytytyspainikkeen alle.

Kierrä painike paikoilleen positiivisen navan päälle.



Puhdista akku ja laitteen koskettimet ennen akun asentamista.

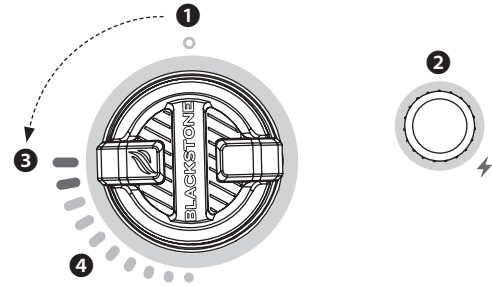
**VAIHE 02** Kytke kaasu PÄÄLLE kääntämällä kaasusylinterin käsipyörää vastapäivään 1-3 kierrosta.

#### VAIHE 03

❷ Paina ja pidä painettuna sytytyspainiketta.

❸ Paina ja käännä säätönappia vastapäivään asentoon HIGH. (Vapauta sytytyspainike, kun poltin syttyy.)

❹ Säädä lämpötila halutulle tasolle.



#### ▲ VAROITUS

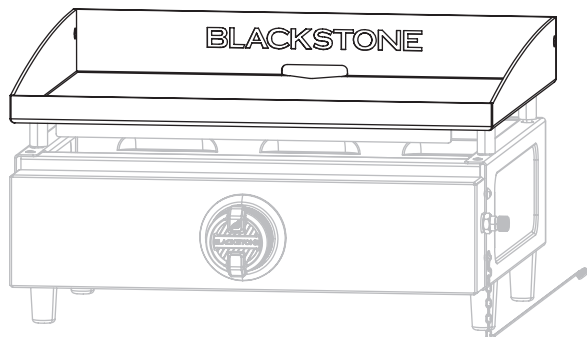
Jos poltin ei syty kaasusyöttöventtiilin ollessa auki, kaasu virtaa edelleen ulos polttimesta ja voi syttyä vahingossa/vahingossa ja aiheuttaa loukkaantumisvaaran.

#### Jos sytytys ei tapahdu 5 sekunnissa:

1. Käännä polttimen säätönappi OFF-asentoon.
2. Odota 5 minuuttia.
3. Toista valaistustoimenpiteet.

Jos poltin ei syty, katso luku Vianetsintä.

## GRIDDLE-PINNOITUSSOHJEET



### PESE PARILA ENNEN ENSIMMÄISTÄ KÄYTTÖÄ

#### HUOMAUTUS

Saippua pilaa pinnoitetun paistinpannun. Tämä on ainoa kerta, kun käytät saippuaa parilalla.

**VAIHE 01** Pese parila keittotaso kuumalla, saippuavedellä.

**VAIHE 02** Huuhtele ja kuivaa kokonaan.

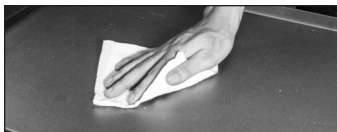
### MAUSTA PARILALEVY



#### VIDEO OPETUSOHJELMA

Kuinka maustaa uusi Blackstone Griddle  
[youtube.com/watch?v=VspmDVnj2pl&t=3s](https://www.youtube.com/watch?v=VspmDVnj2pl&t=3s)

**VAIHE 01** Pyyhi mahdolliset roskat pois parilasta.



**VAIHE 02** Säädä parilaasi korkealle lämmölle, kunnes paistinpannu vaihtaa väriä. (~10 min)

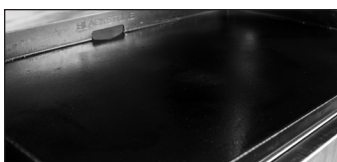


**VAIHE 03** Pidä pihdeillä kiinni paperipyyhkeestä tai puuvillakankaasta ja levitä 2-3 ruokalusikallista mausteöljyäsi koko parilaan.

Kun maustat parilaasta, muista käyttää ohutta ja tasaista öljykerrosta - mitä ohuempi öljykerros, sitä helpompi se on polttaa pois.



**VAIHE 04** Parilan yläosa on valmis uudelle öljykerrokselle, kun se lopettaa tupakoinnin. Toista **VAIHE 03** 3-4 kertaa tai kunnes parilan pinta on musta.

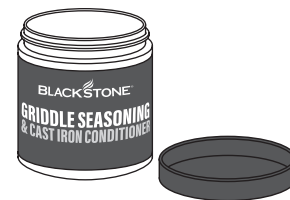


#### HUOMAUTUS

Älä säilytä mitään esineitä 8 cm:n etäisyydellä parilasta käytön aikana.

#### MITÄ ÖLJYÄ ON PARASTA KÄYTTÄÄ?

- Blackstone Mauste- ja valurautahoitoaine.
- Mikä tahansa kasvipohjainen ruokaöljy.
- Renderoitua eläinrasvaa ilman lisäaineita.



#### ⚠ HUOMIO

Hävitä asianmukaisesti rievut/pyyhkeet, joita käytetään öljyn levittämiseen parilalla, jotta vältetään itsestään syttyvistä tulipaloista.

Oikeissa olosuhteissa rievuissa tai pyyhkeissä jäänyt öljy voi hapettua kauan sen jälkeen, kun se on poistettu lämmönlähteestä. Hapetusprosessi itsessään tuottaa lämpöä, joka, jos sitä ei hajoa, voi kerääntyä ja saattaa aiheuttaa räntien/pyyhkeiden ja ympäröivän materiaalin syttymisen.

### PARILALEVYN VIANMÄÄRITYS

#### PARILAN PINNALLA ON RUSKEHTAVA JÄÄNNÖS:

##### MAHDOLLISET SYYT

- Öljyä käytettiin liikaa.
- Sammutit lämmön liian aikaisin.

##### RATKAISU

**VAIHE 01** Nosta paistinpannu korkealle ja anna sen lämmitä 10-15 minuuttia.

**VAIHE 02** Kaavi pois niin paljon sakeutunutta ja osittain kypsennettyä öljyä kuin pystyt.

**VAIHE 03** Mausta uudelleen erittäin ohuella öljykerroksella.

#### PARILAN PINNAN REUNAT EIVÄT OLE MUSTIA:

Kun parilaasi on käytetty useaan kertaan, pinnoitus tasoittuu ja paranee.

### RUOSTUMISEN ESTÄMINEN

Käytä parilaasi usein. Aina kun valmistat ruokaa, lisää mausteita, mikä vähentää ruosteen todennäköisyyttä.

#### HUOMAUTUS

Jos asut kosteassa tai rannikko-ilmastossa, parilaasi saattaa vaatia useammin pinnoitusta käyttökertojen välillä.

Jos parilan pinnalle ilmestyy ruostetta, hiero se pois teräsvillalla, hiomapaperilla tai Blackstone Hohkakivellä ja mausta pinta uudelleen.



#### VIDEO OPETUSOHJELMA

Blackstone Griddle Topin palauttaminen  
[youtube.com/watch?v=thPE2lgnSll](https://www.youtube.com/watch?v=thPE2lgnSll)



## RUOANLAITTO BLACKSTONELLASI

### ⚠️ HUOMIO

Tämä laite on kuuma käytön aikana ja sen jälkeen. Käytä pitkävärtisiä ruokailuvälineitä ja uunikintaita/suojakäsineitä käsitellessäsi mahdollisesti kuumia osia, mukaan lukien kädensijat lähellä laitteen runkoa, suojautuaksesi palovammilta ja roiskeilta.

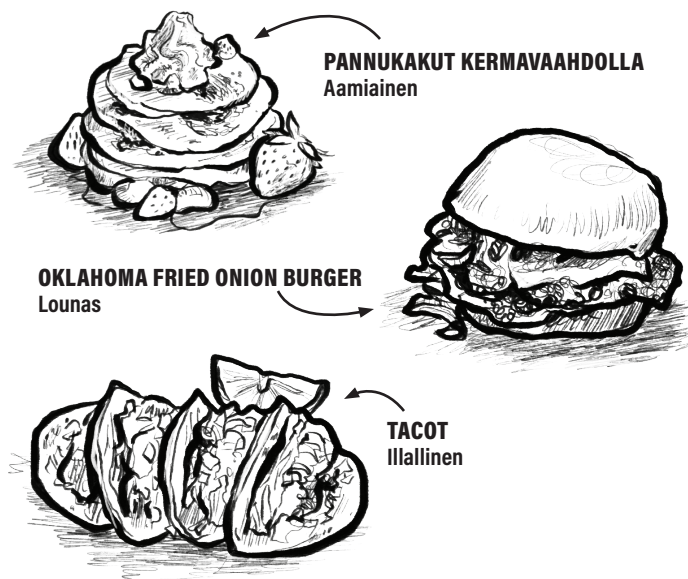
### VIDEO RESEPTIT

Resptejä ja ruoanlaittovinkkejä löydät osoitteesta:

[BlackstoneProducts.com/recipes](https://www.blackstoneproducts.com/recipes)

[youtube.com/BlackstoneGriddles](https://www.youtube.com/BlackstoneGriddles)

[f](https://www.facebook.com/blackstoneproducts) [p](https://www.pinterest.com/blackstoneproducts) [@blackstoneproducts](https://www.instagram.com/blackstoneproducts)



## HOITO JA HUOLTO

### ⚠️ VAROITUS

Rasvan kerääntyminen voi aiheuttaa tulipalon. Puhdista kaikki laitteen osat, jotka kuumenevat ja joihin kerääntyy rasvaa jokaisen käytön jälkeen.

### ⚠️ HUOMIO

Kaikki puhdistus- ja huoltotoimenpiteet tulee suorittaa, kun laite on jäähtynyt ja kaikki on sammutettu.

- ÄLÄ käytä hankaustyynyä alueilla, joissa on grafiikkaa.
- Jos keittopinnan puhdistamiseen käytetään harjasharjaa, varmista ennen ruoanlaittoa, ettei keittopinnoille jää irtonaisia harjaksia.

### LAITTEEN RUNKO:

Pese lämpimällä saippuavedellä ja pyyhi välittömästi kuivaksi hankaamattomalla liinalla. (ÄLÄ anna puhdistusaineiden olla huokoisilla pinnoilla pitkiä aikoja.)

### HUOMAUTUS

Älä käytä Citrisolia, hankaavia puhdistusaineita tai tiivistettyjä puhdistusaineita laitteessa. Tämä voi johtaa osien vaurioitumiseen ja rikkoutumiseen.

## LAITTEIDEN SÄILYTYS

### ⚠️ VAROITUS

Älä siirrä laitetta käytön aikana. Anna laitteen jäähtyä 45°C (115°F) lämpötilaan ennen siirtämistä tai varastointia.

Laitteen säilytys sisätiloissa on sallittua vain, jos kaasunsyöttö on katkaistu ja irrotettu laitteesta.

### KANNEN SOVITUSOPAS

Peitä laite aina, kun sitä säilytetään ulkona.



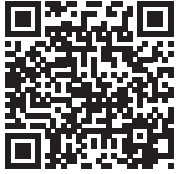
Löydät laitteeseesi sopivan kannen osoitteessa [BlackstoneProducts.com/support](https://www.blackstoneproducts.com/support).



## GRILLAUSLEVYN PUHDISTAMINEN

Puhdista grillauslevy jokaisen käyttökerran jälkeen, kun se on vielä lämmin.

- ÄLÄ käytä saippuaa parilalla. Tämä tuhoaa parilan mausteet.



### VIDEO OPETUSOHJELMA

Kuinka puhdistaa Blackstone Griddle

▶ [youtube.com/watch?v=-ledu9z6NPY](https://www.youtube.com/watch?v=-ledu9z6NPY)

**VAIHE 01** Työnnä irtonaiset ruokajätteet rasvakuppiin lastalla tai suoralla metallikaapimella.



**VAIHE 02** Pyyhi parilan yläosa talouspaperilla.



**VAIHE 03** Levitä muutama ruokalusikallinen vettä parilan pinnalle ja kaavi sitten vesi ja roskat rasvakuppiin.

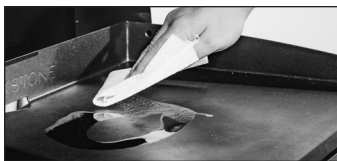
(Käytä hieman karkeaa suolaa, jos ruokajäämät ovat kiinni.)



**VAIHE 04** Pyyhi uudelleen talouspaperilla ja kuivaa kokonaan.



**VAIHE 05** Levitä ohut kerros ruokaöljyä säilyttääksesi mausteen ja suojataksesi paistinpannaa.



## TYHJENNÄ RASVAKUPPISI

Rasvakuppi on poistettava ja tyhjennettävä jokaisen käytön jälkeen.

### ⚠ HUOMIO

Rasvakuppi on kuuma käytön aikana ja sen jälkeen. Älä poista rasvakuppia ennen kuin parila on täysin jäähtynyt.

## POLTINKOKOONPANON PUHDISTUS

”Takaisinpalamisen” mahdollisuuden vähentämiseksi alla olevaa toimenpidettä tulee noudattaa vähintään kerran kuukaudessa, kun hämähäkit ovat aktiivisimpia tai kun laitettasi ei ole käytetty vähään aikaan.



### VIDEO OPETUSOHJELMA

Poltinputken puhdistaminen

▶ [youtube.com/watch?v=xKQTCrFCzf8](https://www.youtube.com/watch?v=xKQTCrFCzf8)

**VAIHE 01** Irrota säädinkokoonpano nestekaasusylinteristä kääntämällä pikaliitinmutteria myötäpäivään.

- Irrota grillin yläosa.

- Irrota poltin vetämällä polttimen pidikkeestä. Käytä ruuvimeisseliä tai pihtejä.

**VAIHE 02** Nosta poltin varovasti ylös ja pois kaasuventtiilin aukosta.

**VAIHE 03** Puhdista polttimen sisäpuoli:

a. Vie pulloharja (ei teräsharja) tai pieneen koukkuun taivutettu jäykkä lanka kunkin poltinputken läpi useita kertoja.

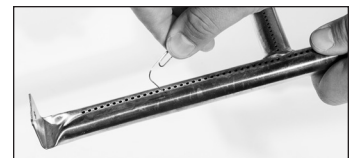
b. Käytä paineilmaa puhaltaaksesi poltinputken läpi ja ulos poltinaukoista (Käytä silmäsuojaimia).



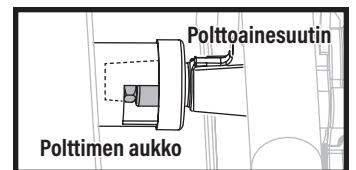
**VAIHE 04** Harjaa polttimen koko ulkopinta lian poistamiseksi.



**VAIHE 05** Puhdista tukkeutuneet portit jäykällä langalla, kuten avoimella paperiliittimellä.



**VAIHE 06** Vaihda polttimet varovasti ja kiinnitä ne uudelleen kiinnittäen huomiota sytytysneulan sijaintiin.



⚠ Kaasuputken polttoainesuutin on kytkettävä uudelleen polttimen aukkoon.





# ONGELMIEN KARTTOITTAMINEN

## SYTYTYKSEN VIANMÄÄRITYS

### POLTIN EI SYTY:

Jos sytytys ei tapahdu 5 sekunnissa:

**VAIHE 01** Käännä polttimen säätönappi OFF-asentoon.

**VAIHE 02** Odota 5 minuuttia.

**VAIHE 03** Toista valaistustoimenpiteet.

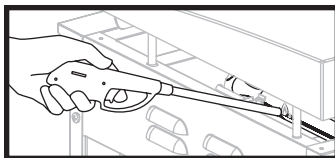
Jos tämä ei auta, yritä sytyttää laitteesi tulitikulla syyn selvittämiseksi.

### YHDISTÄ VALAISTUSOHJEET

Ennen kuin aloitat, tarkista kaasuvuodot. Avaa konepelti (jos mahdollista).

**VAIHE 01** Käännä säätönappi OFF-asentoon.

**VAIHE 02** Sytytä tulitikku (tai pitkä sytytin), joka on vähintään 11 tuumaa pitkä.

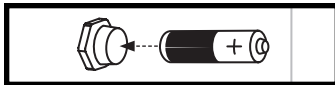
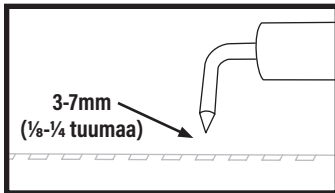


**VAIHE 03** Aseta liekki polttimen viereen.

**VAIHE 04** Paina ja käännä säätönappia käynnistääksesi kaasun virtauksen. Varmista, että poltin syttyy ja palaa.

### JOS VOIT SYTYTTÄÄ LAITTEESI TULITIKULLA:

MAHDOLLISET SYYT	RATKAISU
Sytytysjohto väärin kohdistettu.	Varmista, että sytytysneula on 3-7 mm (1/8-1/4 tuuman) päässä polttimesta ja polttimen reikien kohdalla.
Sytytysjärjestelmän vaurioituminen.	Ota yhteyttä asiakastukeen varaosia varten.
Tyhjä / väärin asennettu akku.	Vaihda uuteen paristoon.
	<ul style="list-style-type: none"> <li>Varmista, että akku on asennettu oikein napaisuuden suhteen (+ ja -).</li> <li>Poista paristot laitteista, joita ei aiota käyttää pitkään aikaan.</li> <li>Poista käytetyt paristot välittömästi.</li> </ul>



### JOS ET VOI SYTYTTÄÄ LAITETTA TULITIKULLA:

MAHDOLLISET SYYT	RATKAISU
Polttinputket eivät saa polttoainetta.	Puhdista polttinyksikkö poistaaksesi tukos.

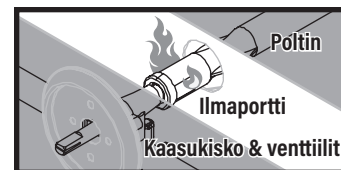
## KAASUN VIRTAUKSEN VIANMÄÄRITYS

### LAITE EI SAAVUTA KORKEAA LÄMPÖÄ TAI LÄMPENEE EPÄTASAISESTI:

- Polttimen liekit ovat keltaisia tai epäsäännöllisiä.
- Polttimen liekit alkavat voimakkaana ja putoavat sitten heti alhaiseksi, vaikka poltin olisi asetettu korkealle.
- Liekin korkeus laskee, kun toinen poltin sytytetään.
- Liekit eivät ulotu polttimen koko pituudelle tai ne kulkevat vain polttimen toisella puolella.
- Polttimen liekit ovat epäjohdonmukaisia.

MAHDOLLISET SYYT	RATKAISU
Esteitä polttimessa, kaasusuihkuissa tai polttoaineputkessa.	Puhdista poltin, suuttimet ja kaasuletku.
Kaasupullo on tyhjä tai alhainen.	Täytä tai vaihda kaasupullo.

- Ilmaportista tulee liekki:



MAHDOLLISET SYYT	RATKAISU
Jokin tukkii polttimen venturin.	Puhdista polttinyksikkö poistaaksesi tukos.

Tämä sivu jätettiin tarkoituksella tyhjäksi



Tämä sivu jätettiin tarkoituksella tyhjäksi

**BLACKSTONE**<sup>®</sup>

Tämä tuote voi kuulua yhden tai useamman yhdysvaltalaisen ja/tai kansainvälisen patentin piiriin, ja se voi sisältää vireillä olevia patenttihakemuksia.

Lisätietoja on osoitteessa: [BlackstoneProducts.com/patents](https://BlackstoneProducts.com/patents)

VALMISTAJA: NORTH ATLANTIC IMPORTS, LLC 1073 W 1700 N LOGAN, UT 84321 USA | BLACKSTONE ON NORTH ATLANTIC IMPORTS, LLC: N REKISTERÖITY TAVARAMERKKI  
TUOJA: GRIDDLE MASTERS, NORDRE STRANDVEJ 119, 3150 HELLEBAEK, DENMARK