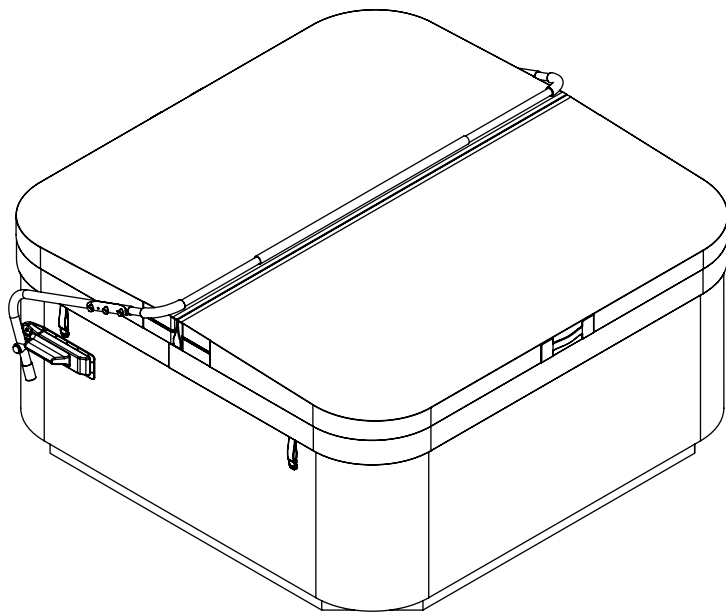


Wellis®



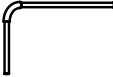





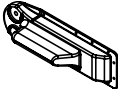




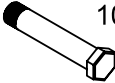
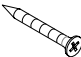




EN

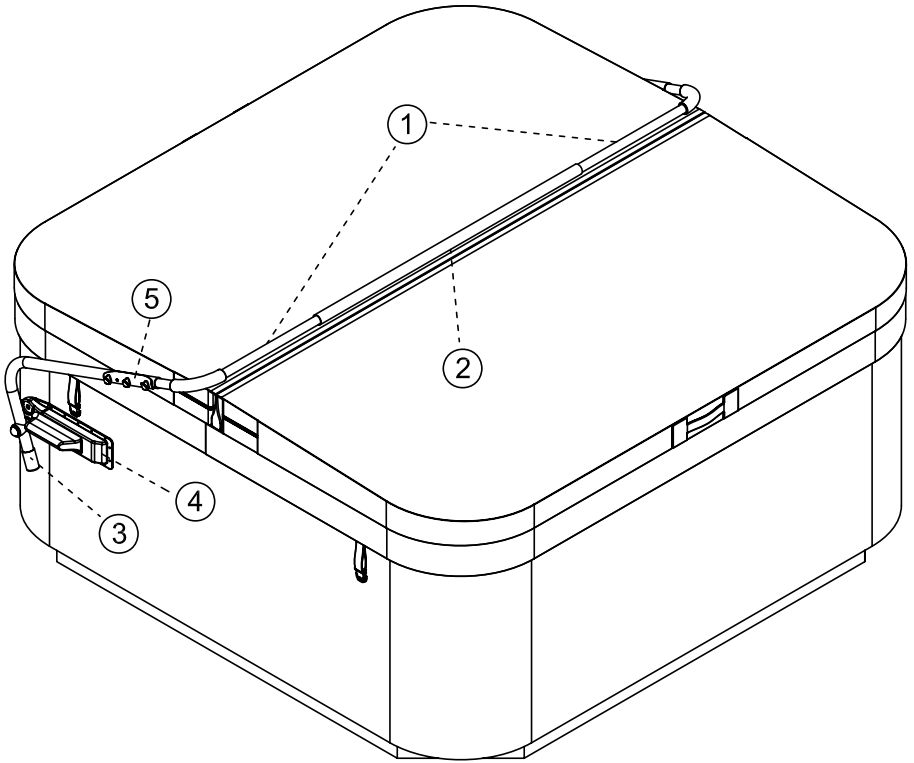
Easy Cover Lifter INSTALLATION GUIDE

EASY COVER LIFTER

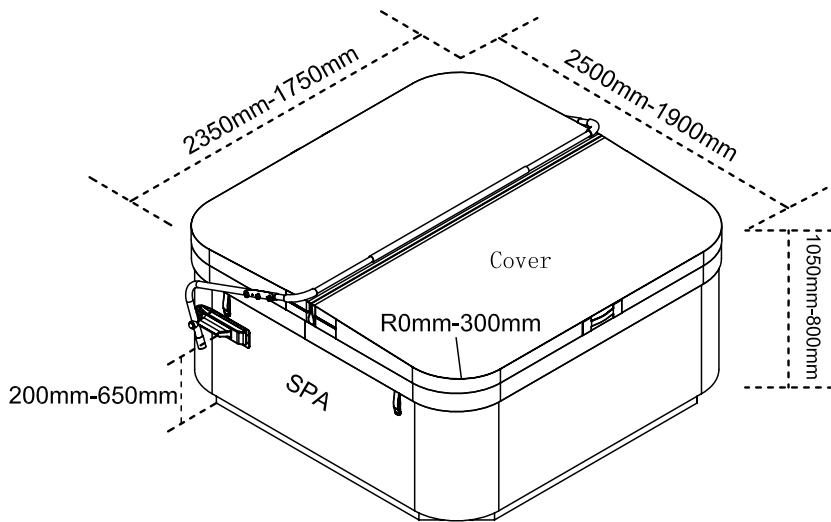
WT00208

List of contents:

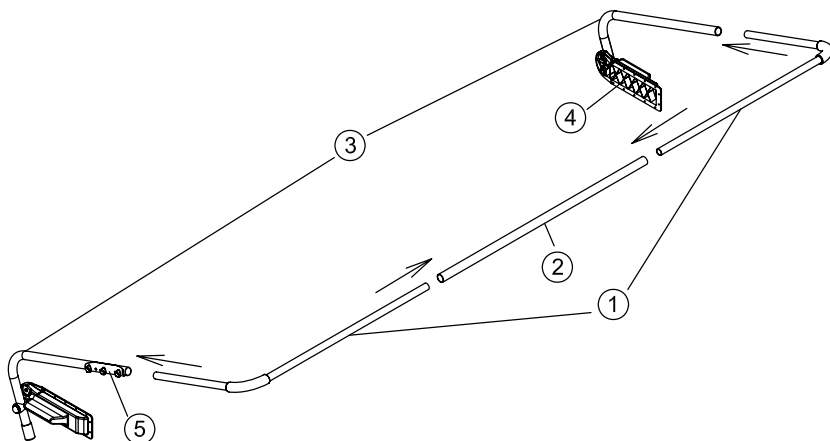
NO	QTY	Shape / name	NO	QTY	Shape / name
①	2		⑬	2	 Ø10
②	1		⑭	2	 Ø20
③	2		⑮	2	 Ø30
④	2		⑯	1	
⑤	1		⑰	1	 Ø3.2
⑥	40				
⑦	2	 10X96			
⑧	26	 5X30			
⑨	16	 5X19			
⑩	4				
⑪	2				
⑫	2	 Ø33			



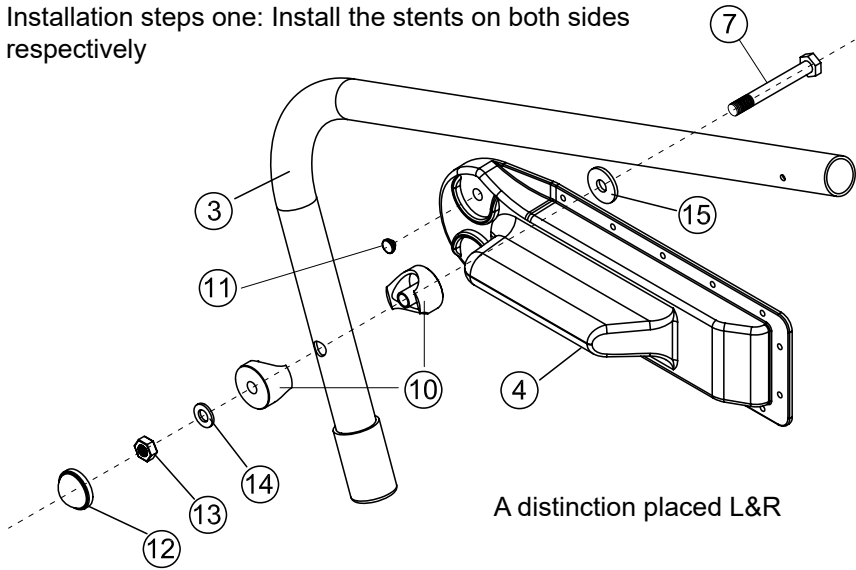
Available dimension:



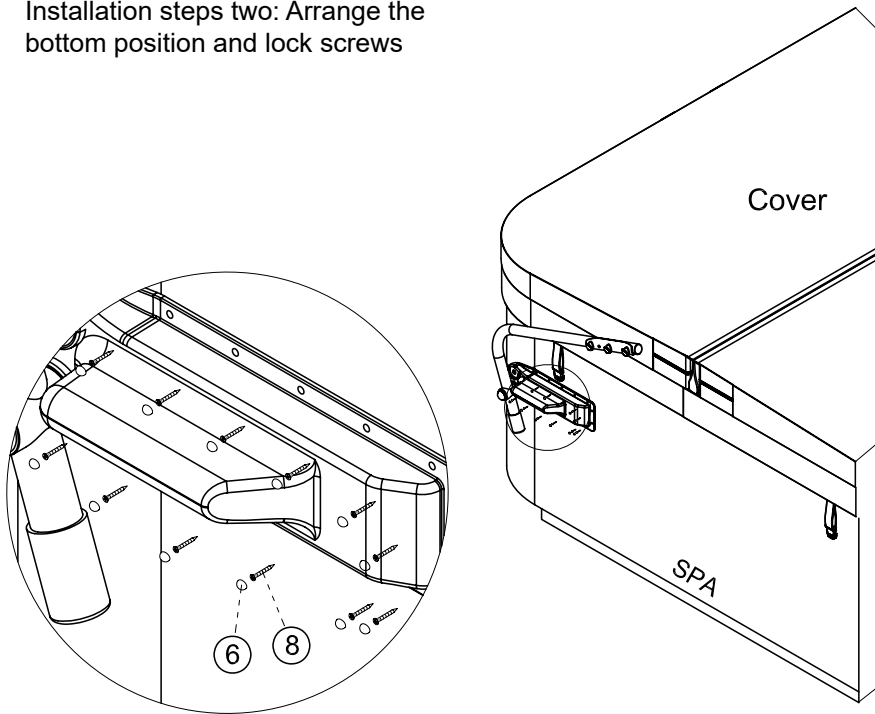
Assembly drawing:



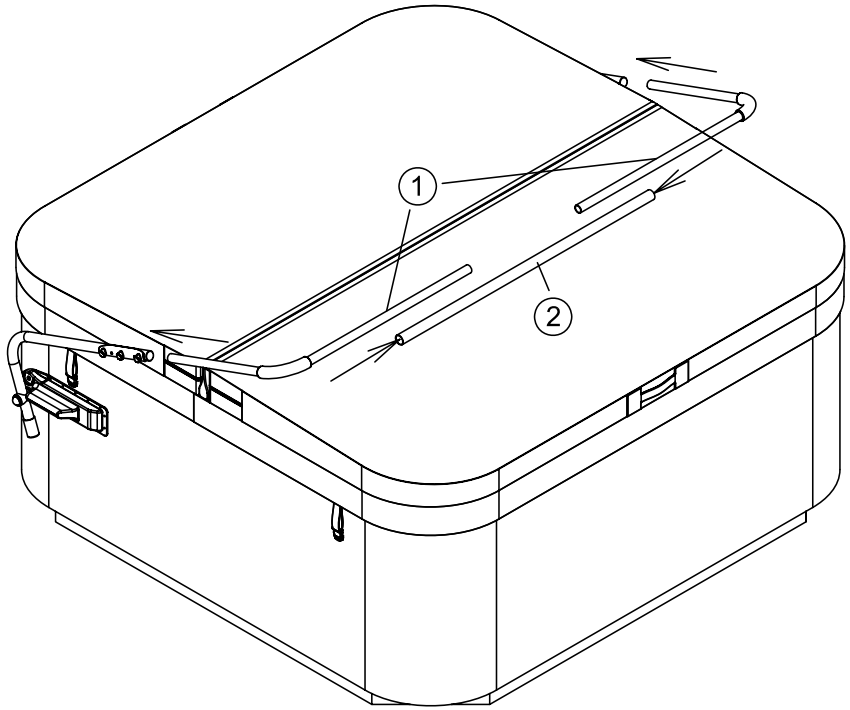
Installation steps one: Install the stents on both sides respectively



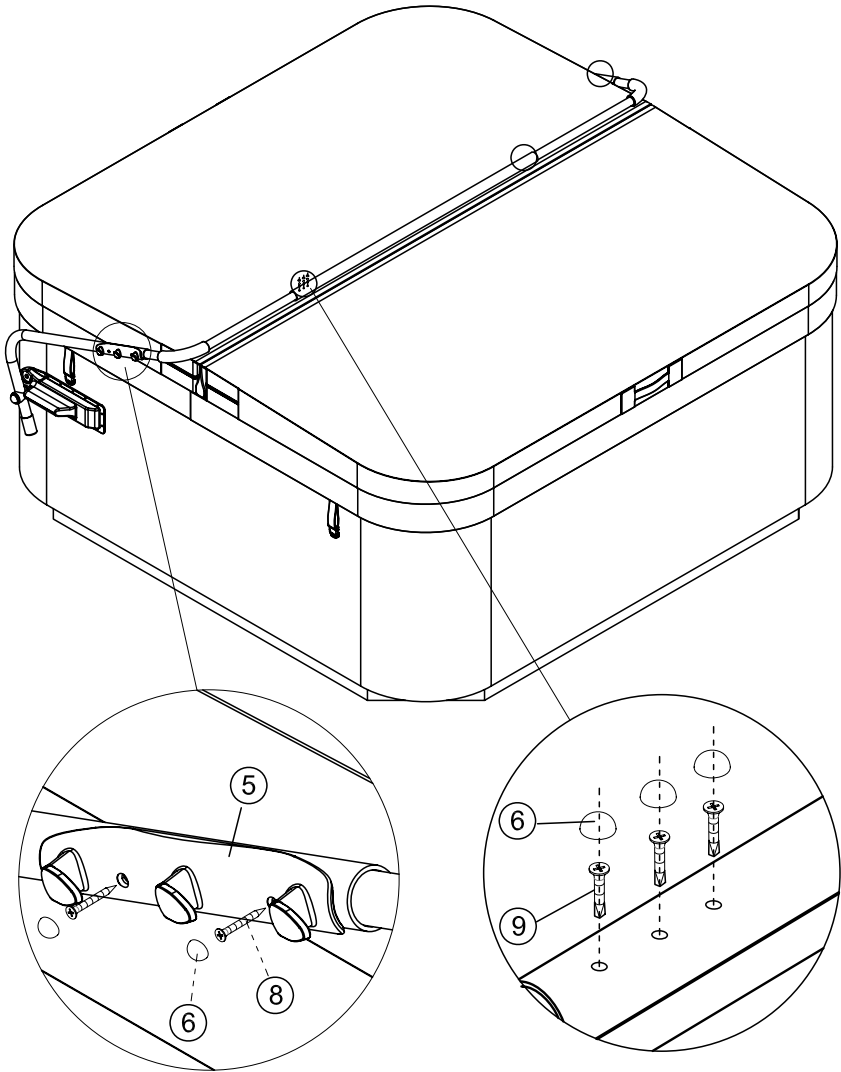
Installation steps two: Arrange the bottom position and lock screws



Installation steps three: Lock the stents onto the spa



Installation steps four: Locate the lifter, and lock screws



Wellis®

CE