

# Broil King®

---

---



## Broil King

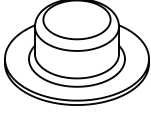
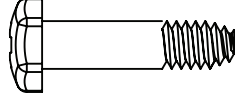
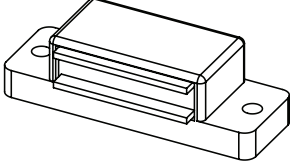
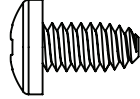
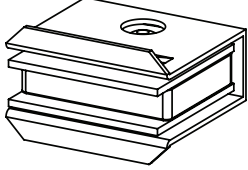
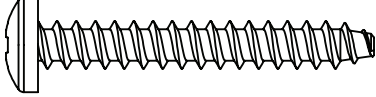

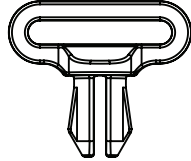
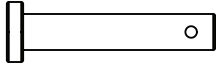
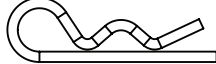
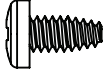
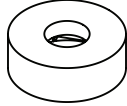

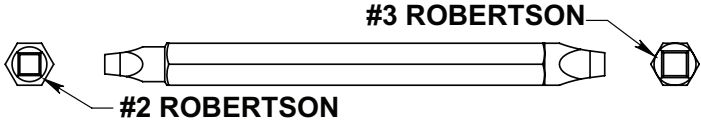
ROYAL 320  
8242-52  
8242-53

---

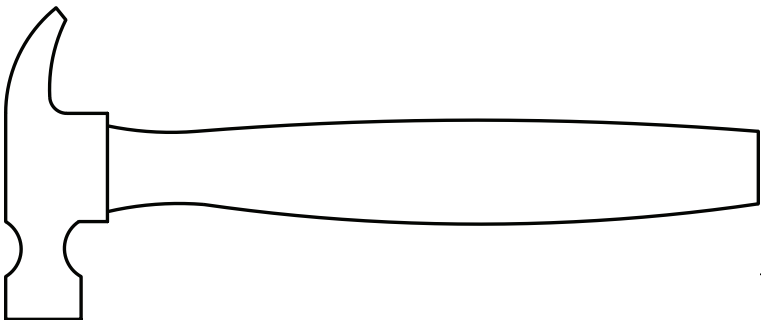
---

*Onward*  
SINCE 1906  
**MANUFACTURING COMPANY**  
585 KUMPF DRIVE LIMITED  
WATERLOO, ONTARIO, CANADA  
N2V 1K3

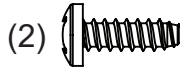
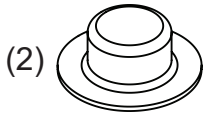
## HARDWARE INCLUDED

S21420		(2)	Y-11551		(1)
Y-12222		(1)	Y-12865		(8)
Y-12223		(1)	Y-11563		(4)
AAA		(1)	Y-12673		(2)
32300112		(2)	S21233		(2)
Y-29304		(2)	Y-12124		(1)
S21124		(2)	 <p style="text-align: center;">#3 ROBERTSON</p> <p style="text-align: center;">#2 ROBERTSON</p>		

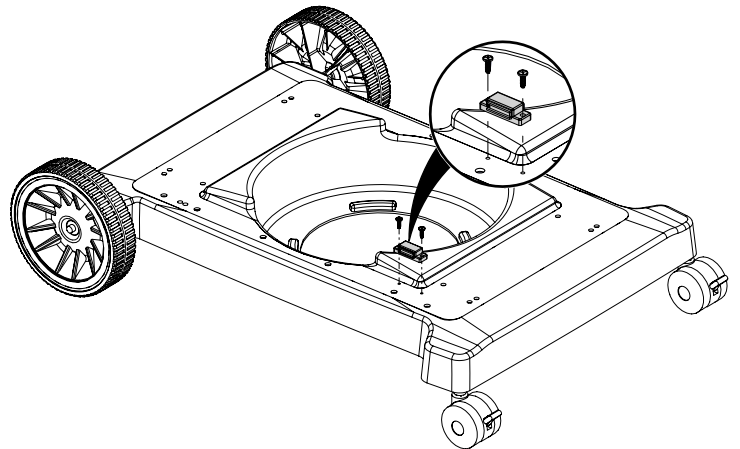
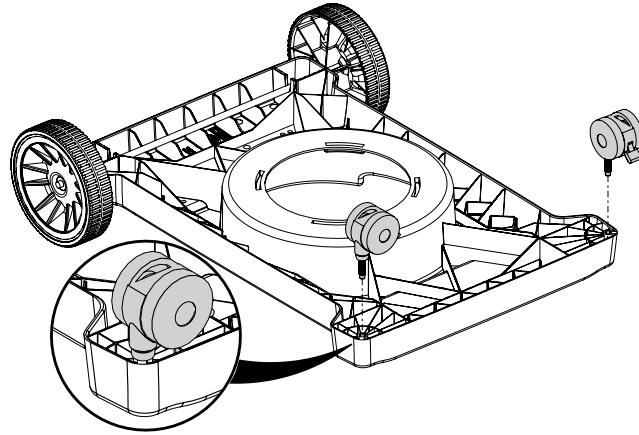
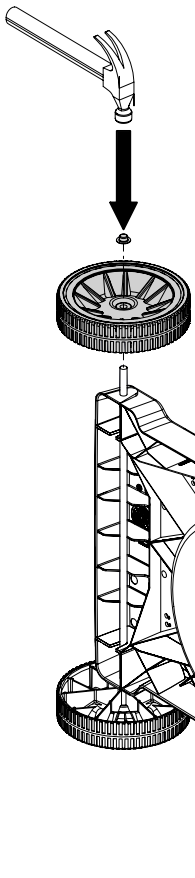
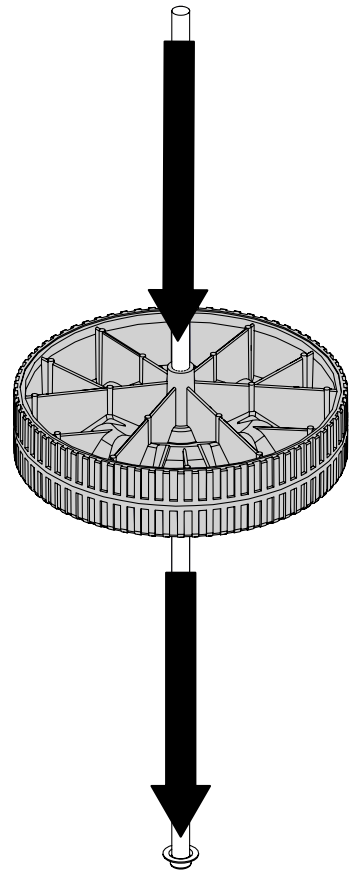
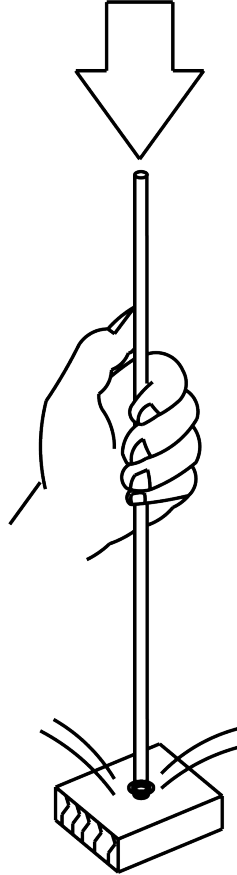
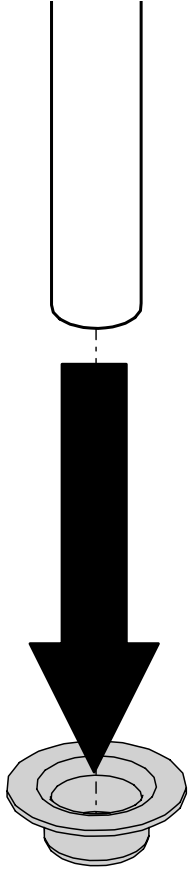
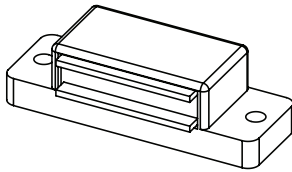
## TOOLS REQUIRED



1

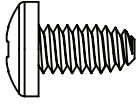


(1)

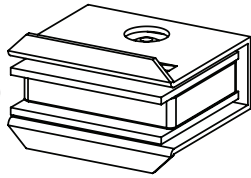


2

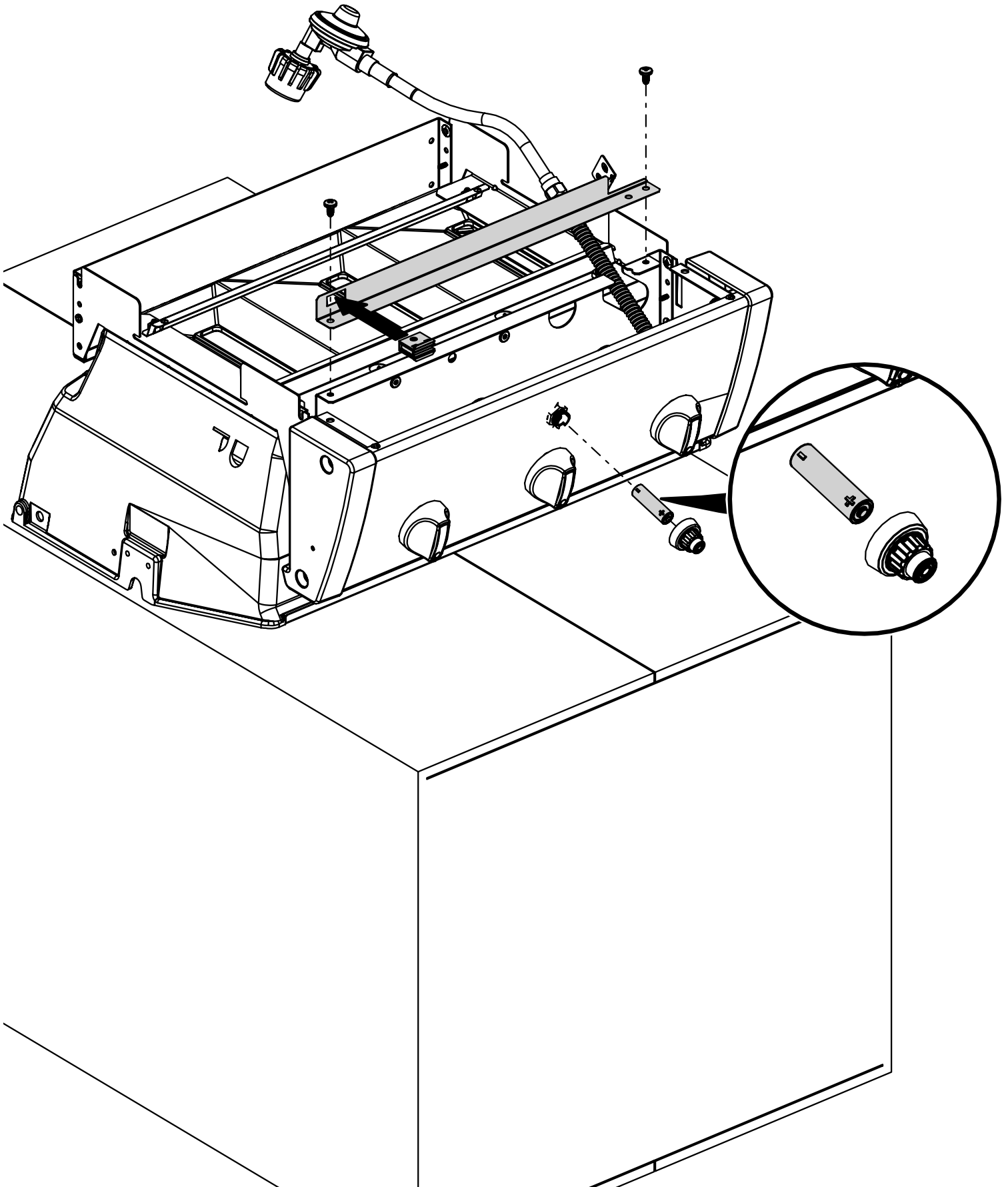
(2)



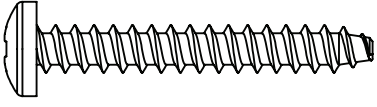
(1)

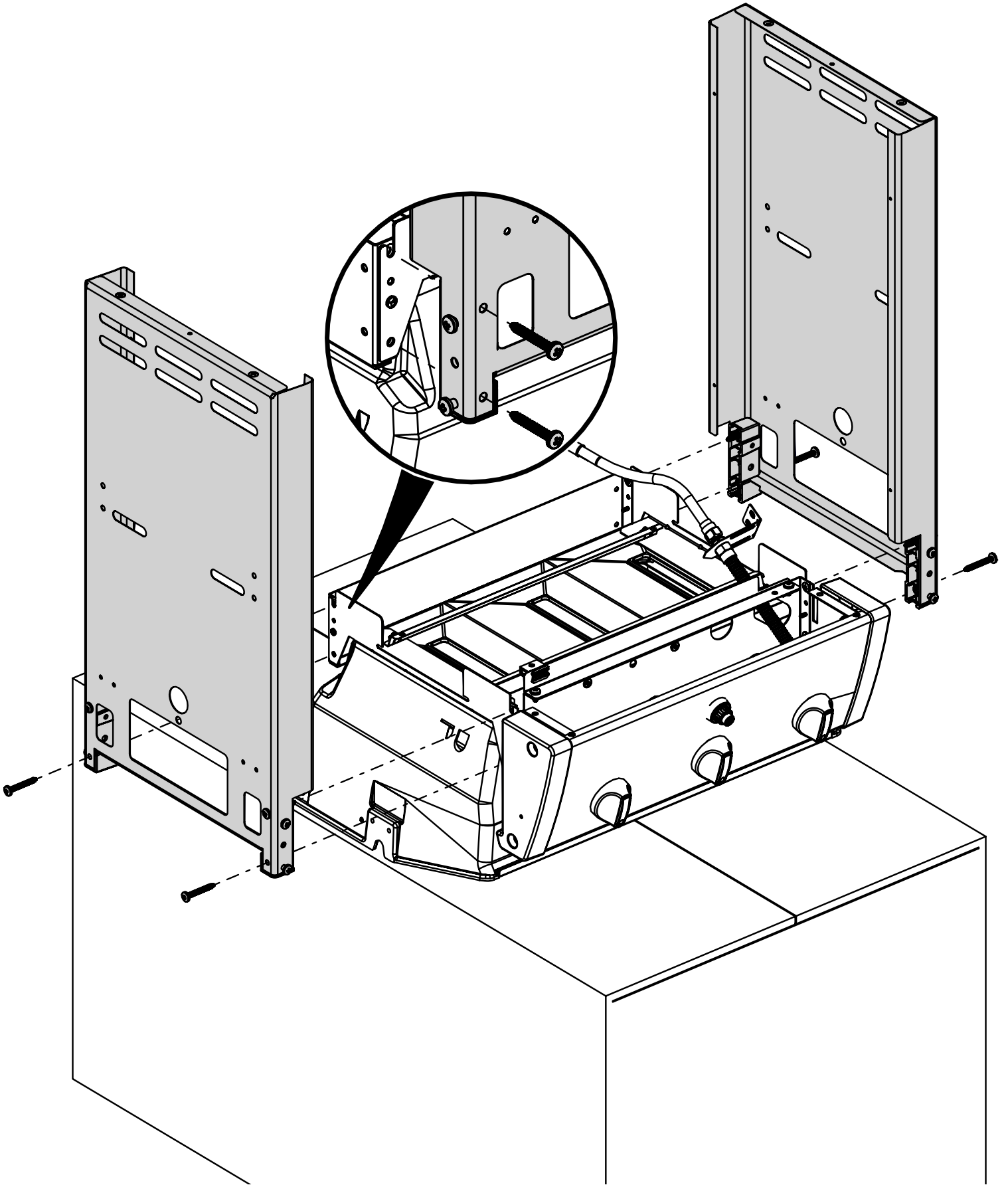


(1)



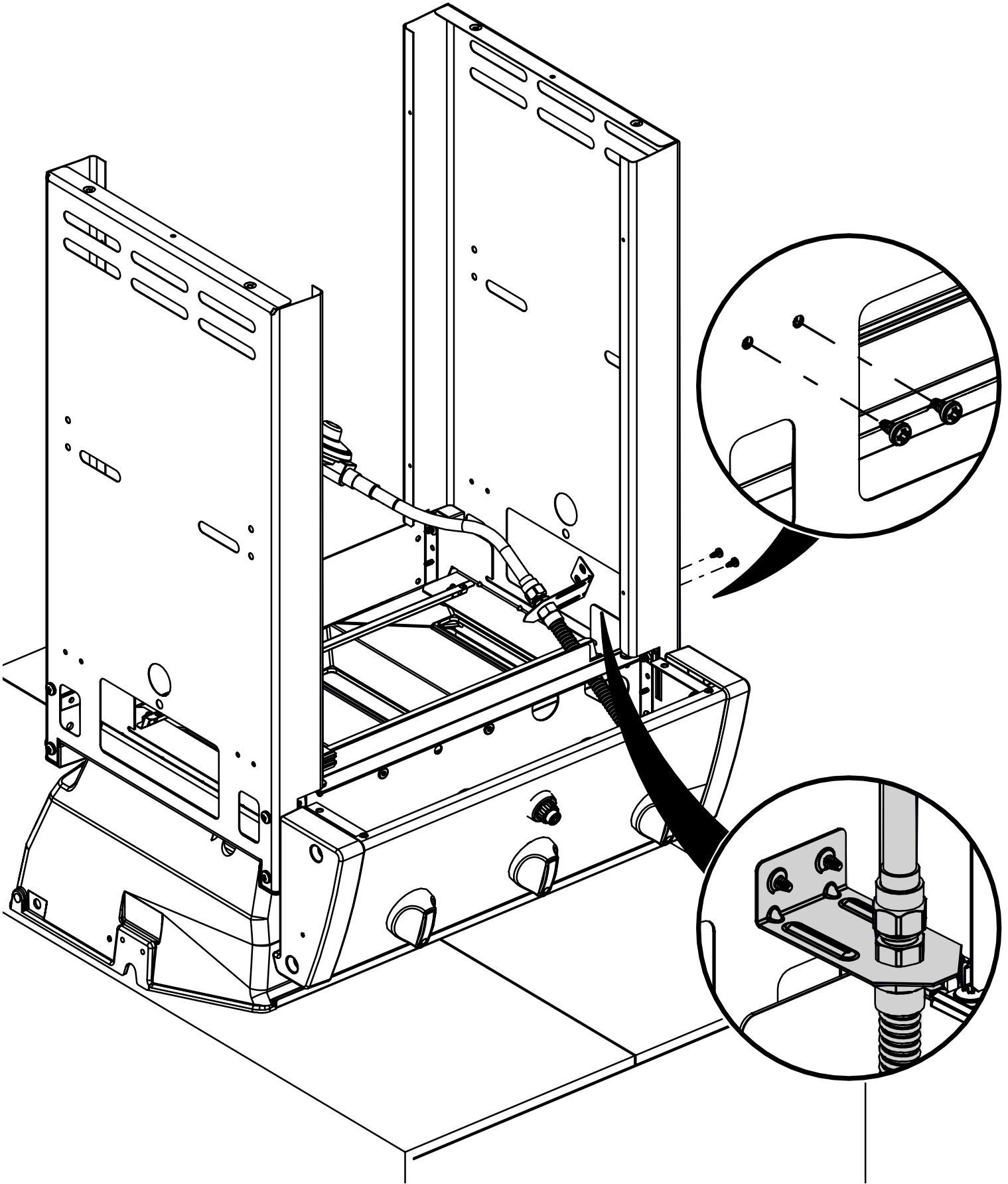
3

(4) 



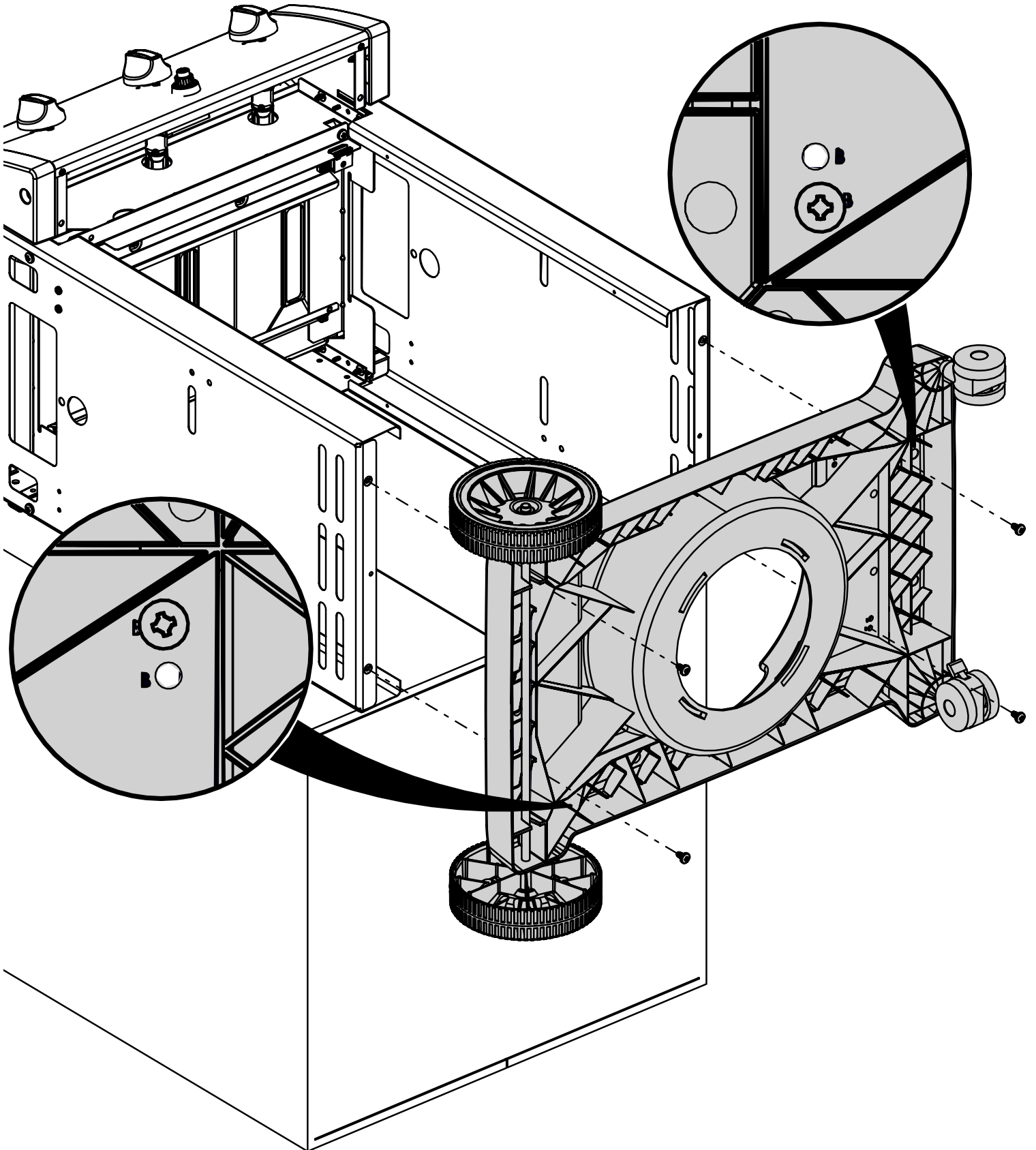
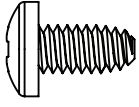
4

(2) 

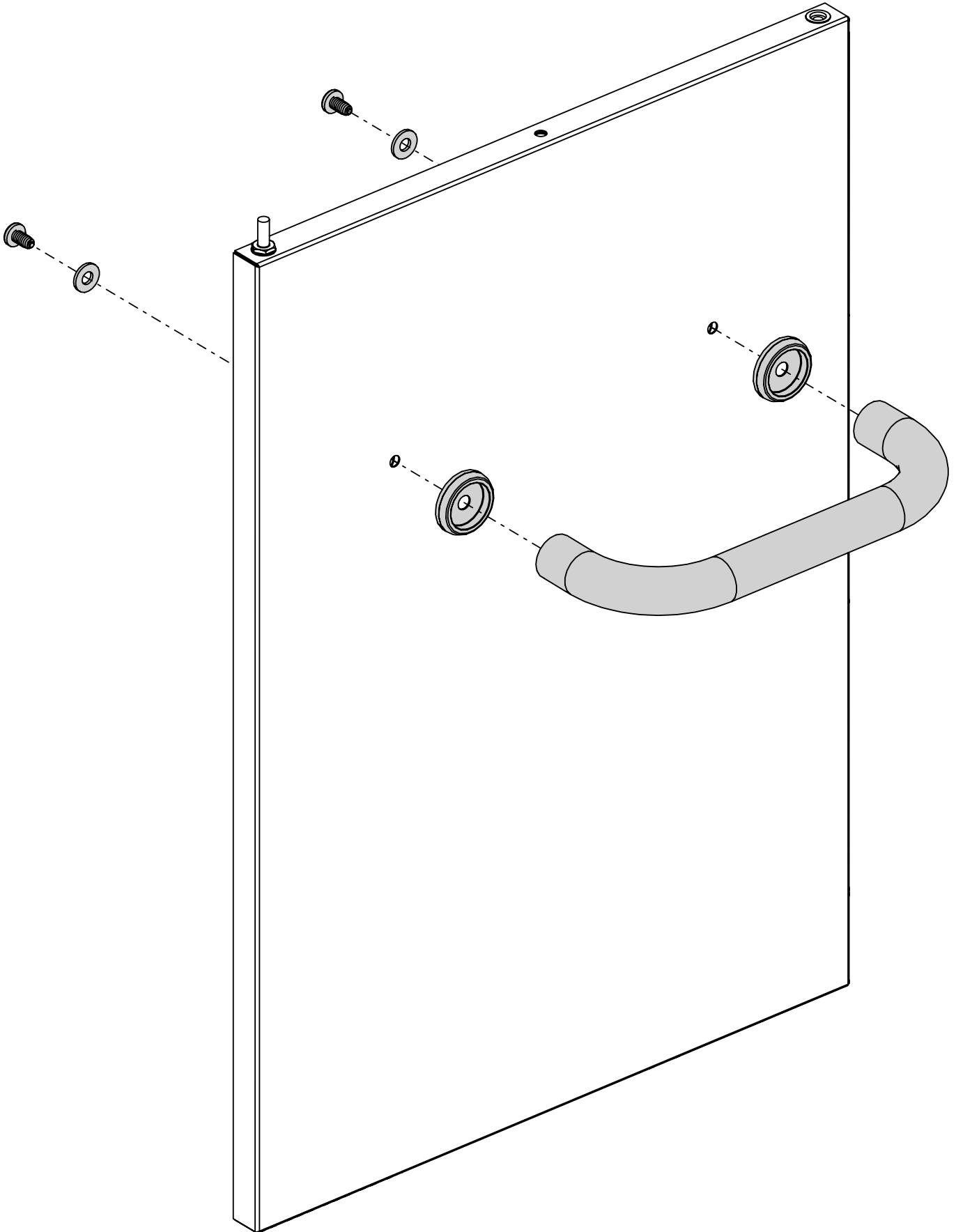
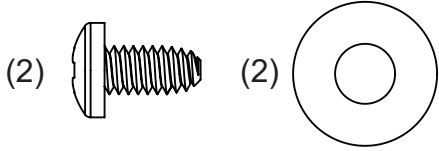


5

(4)

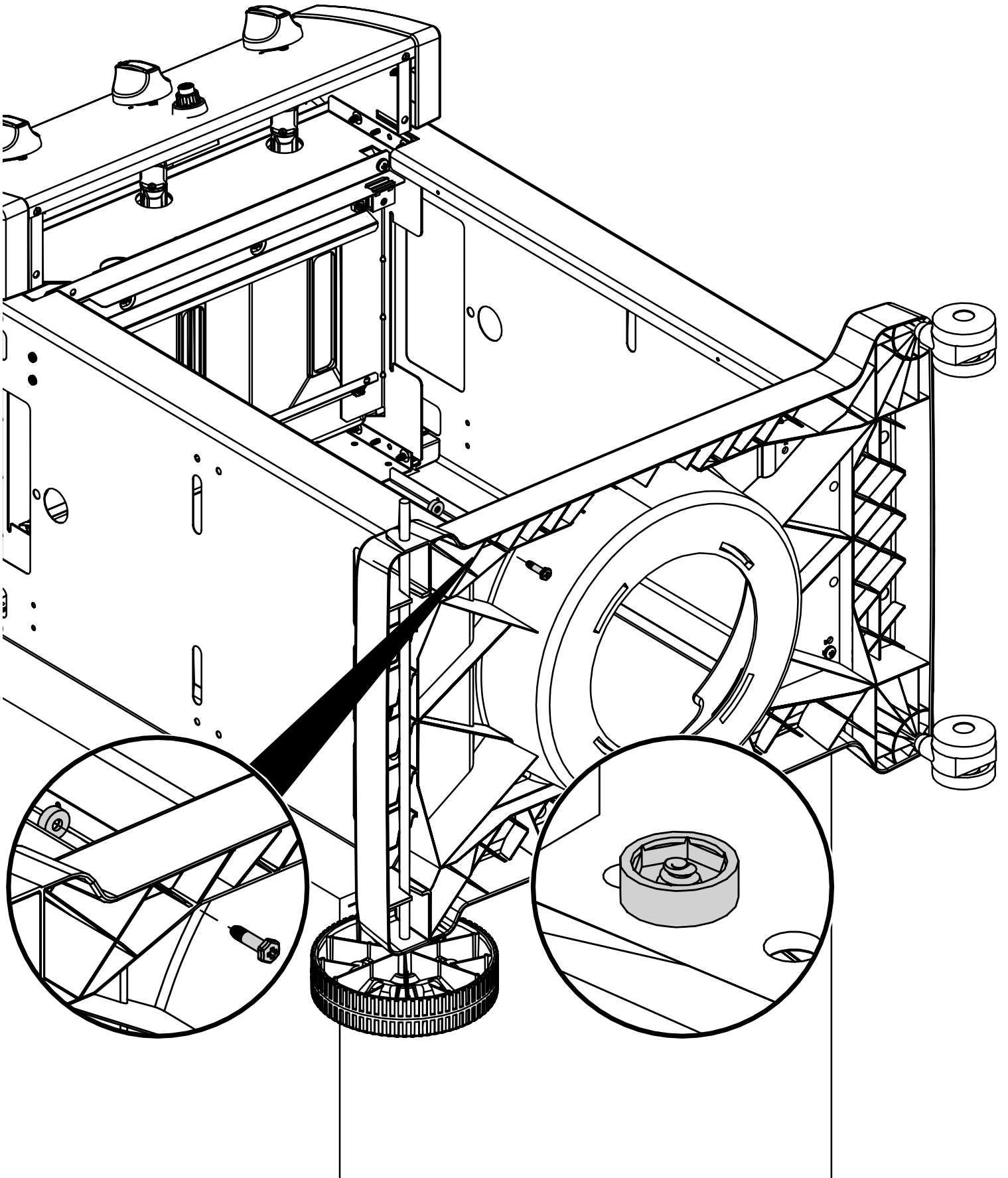
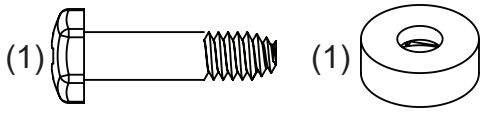


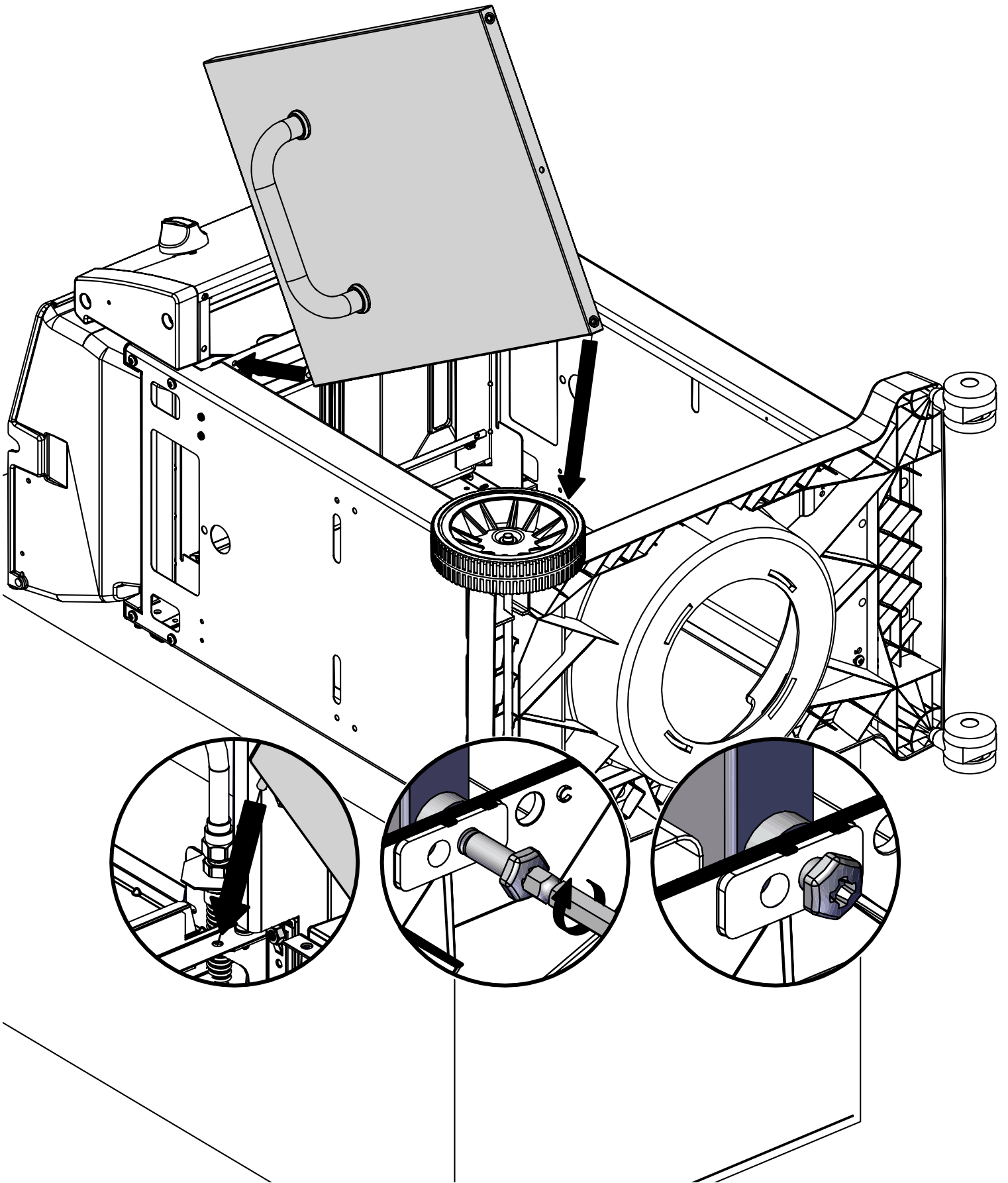
6



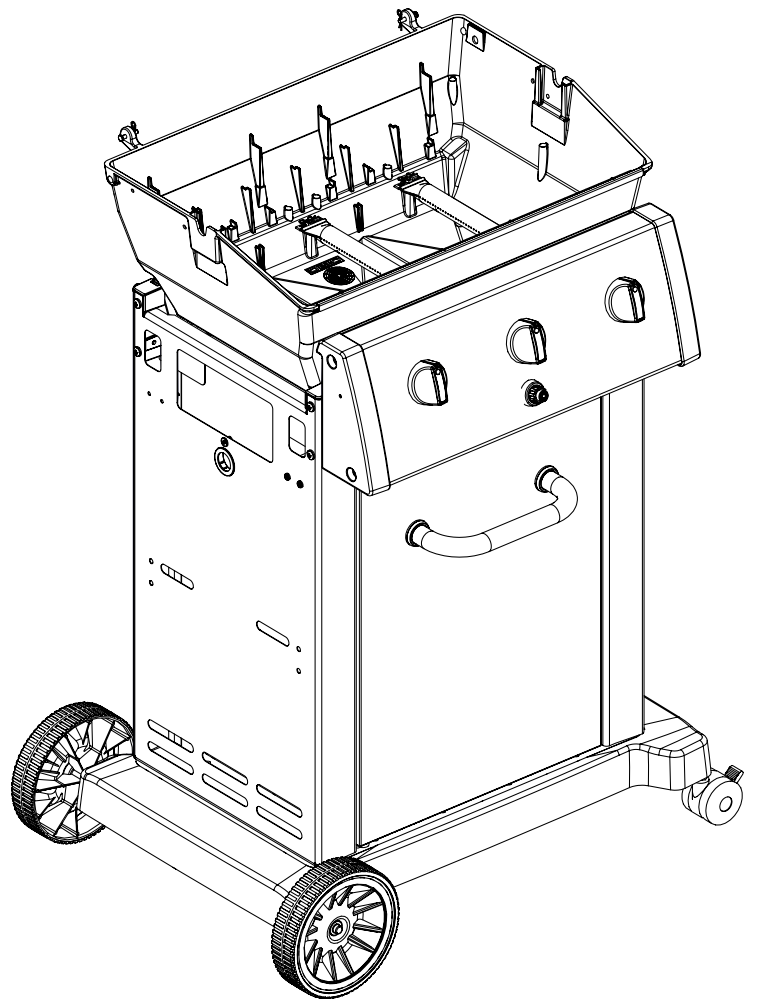
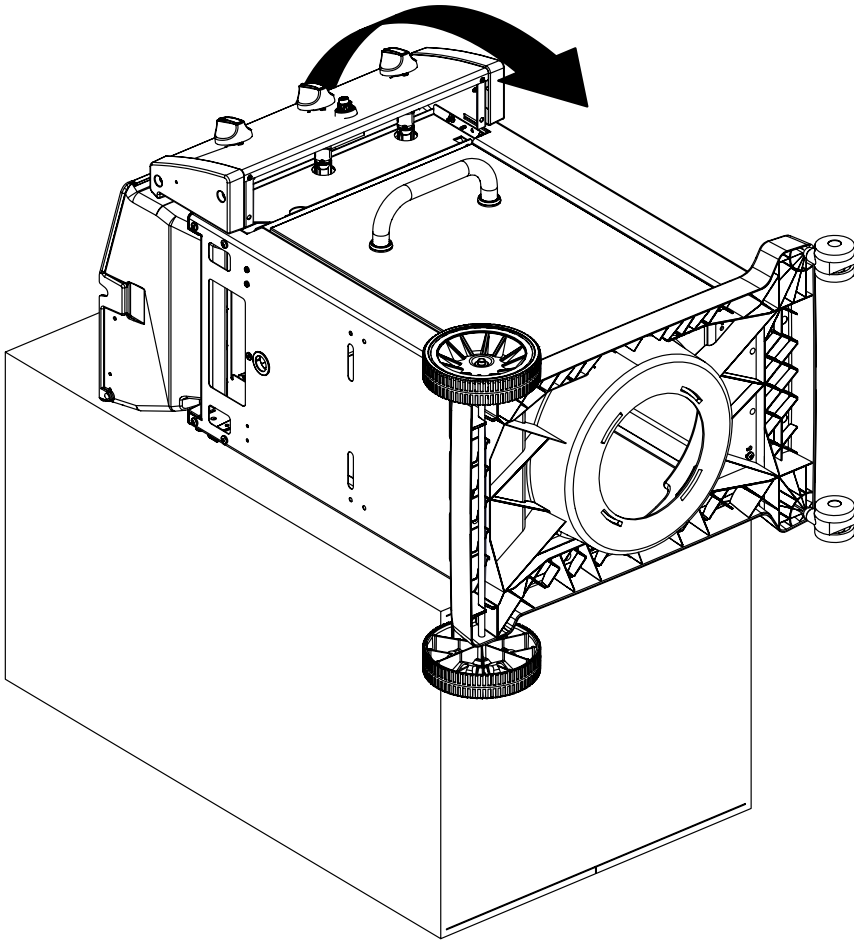


7



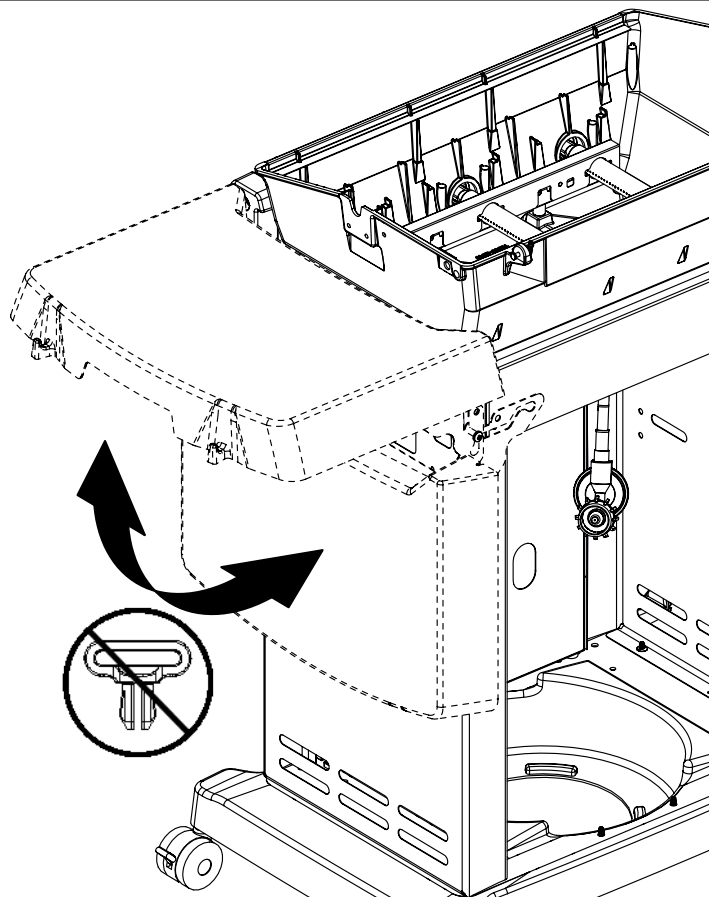
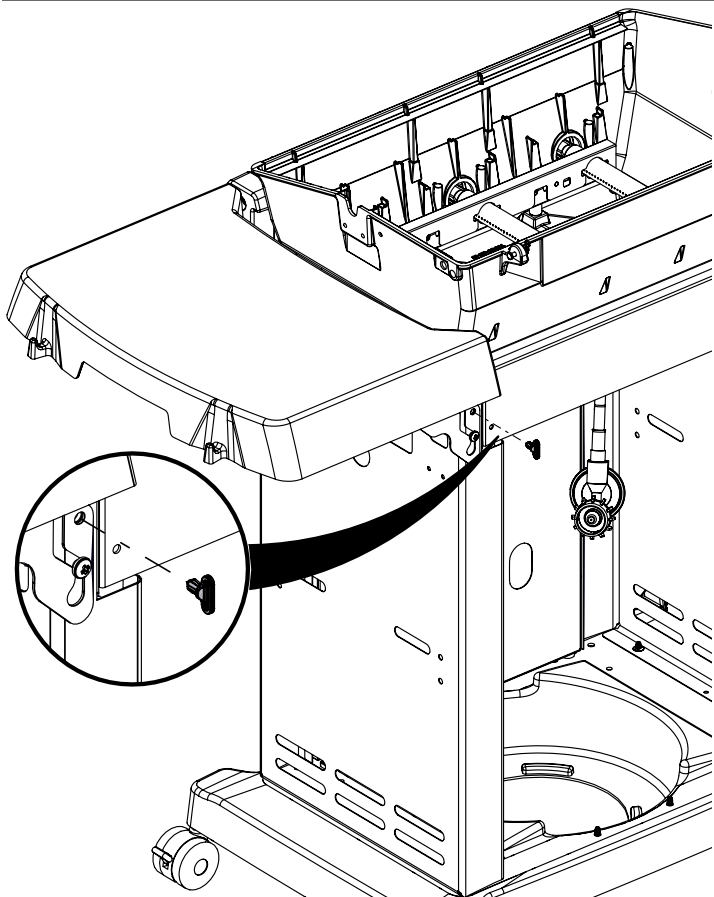
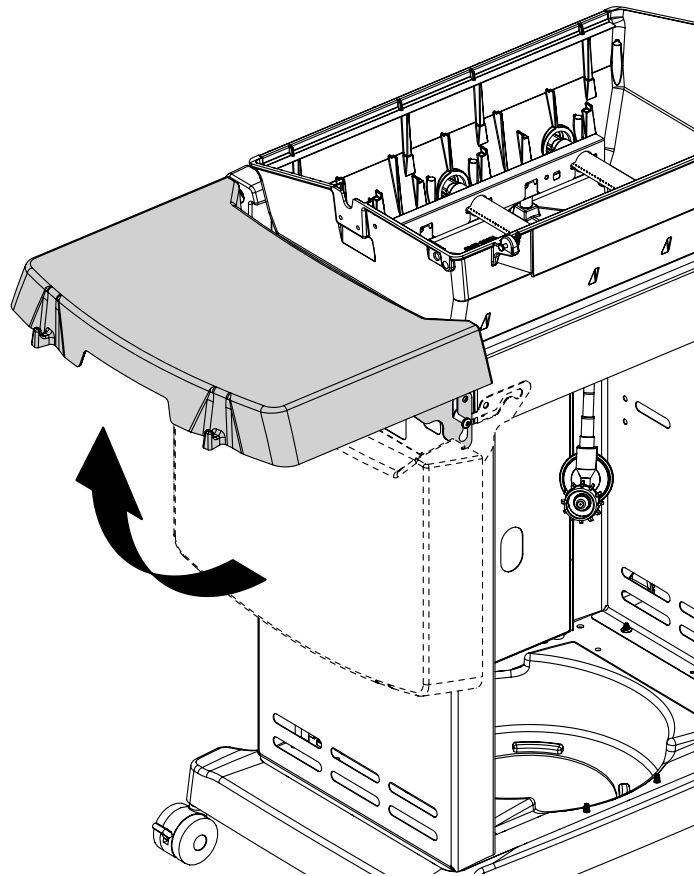
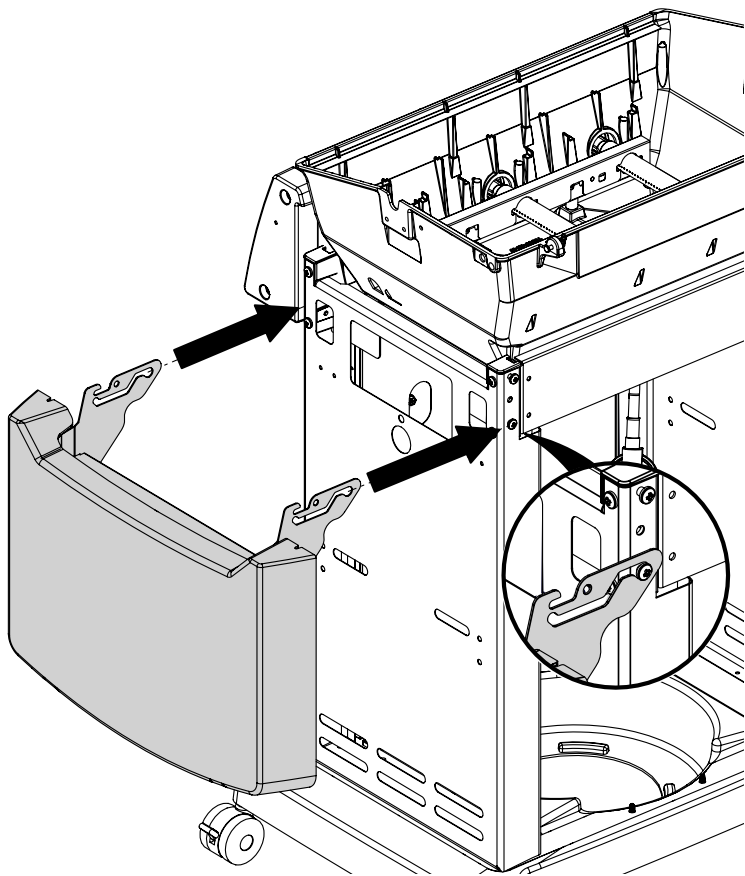
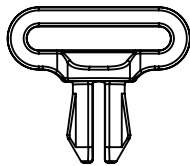


9

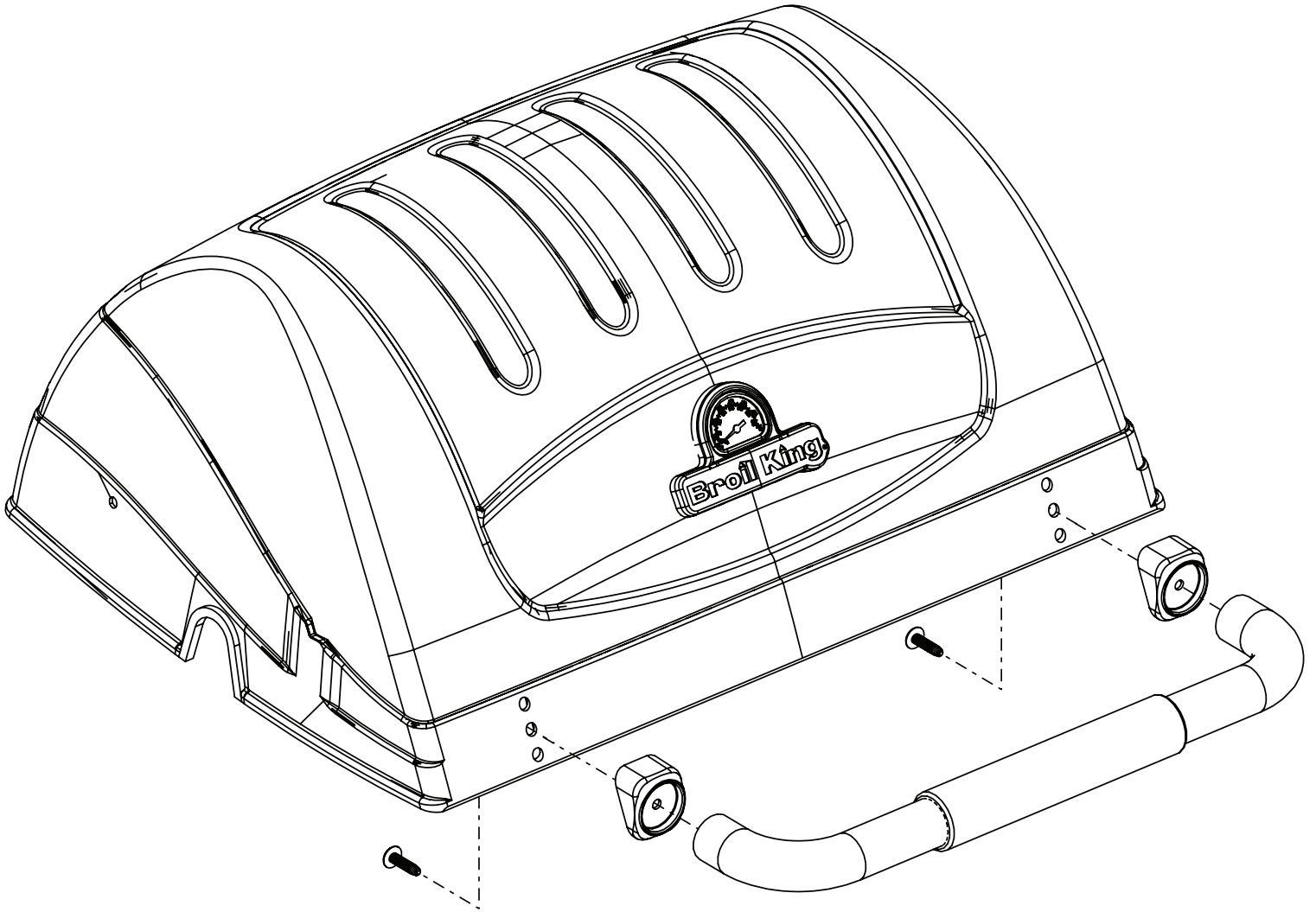
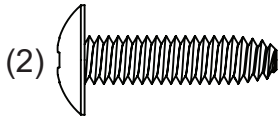


# 10

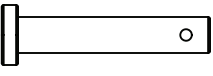
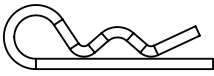
(2)

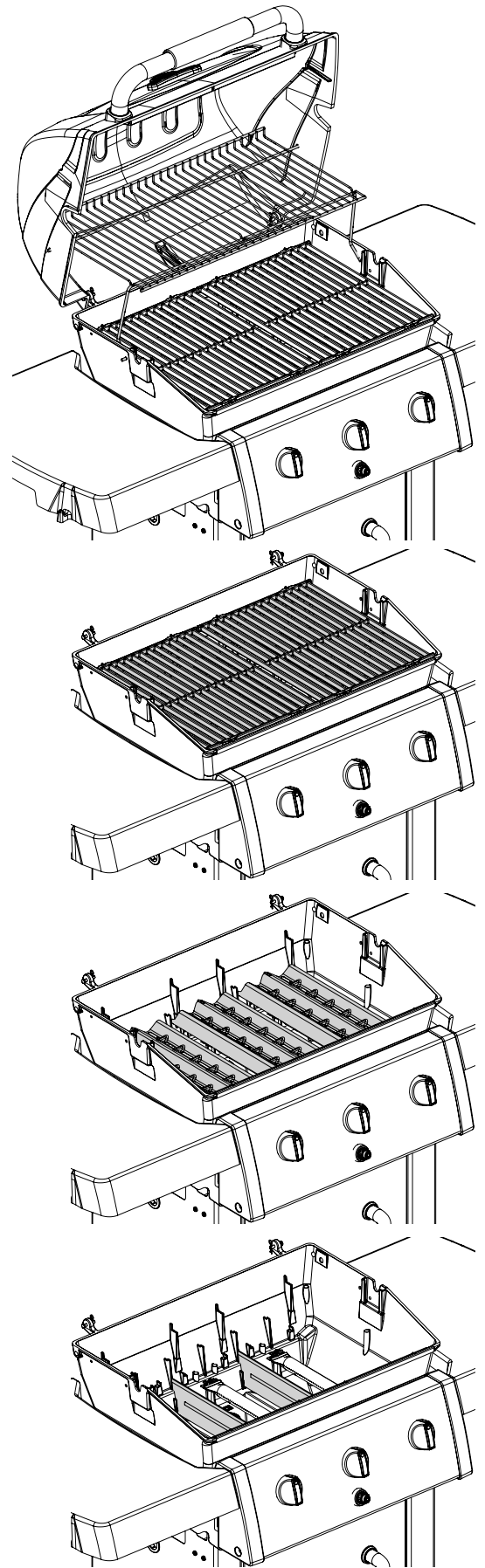
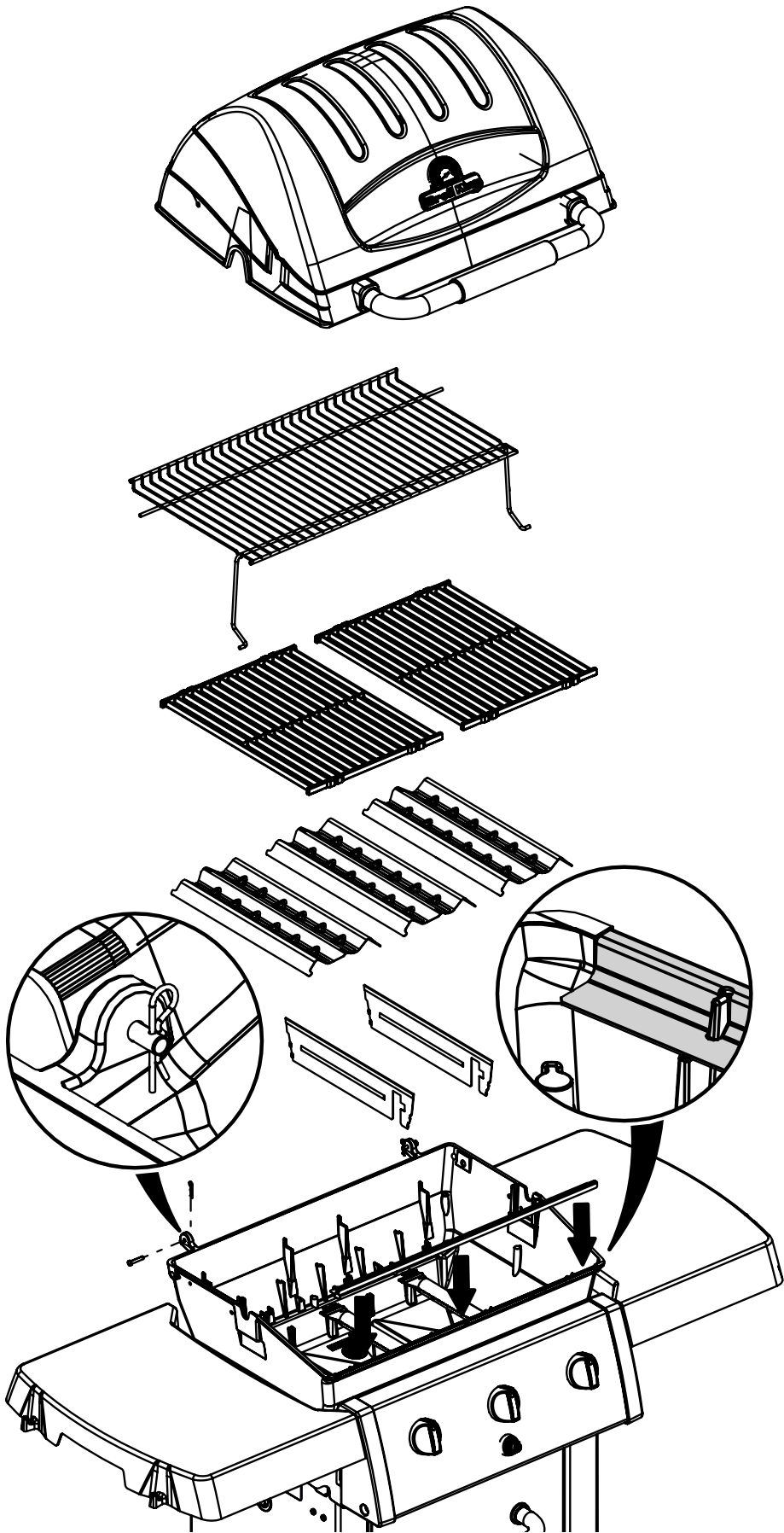


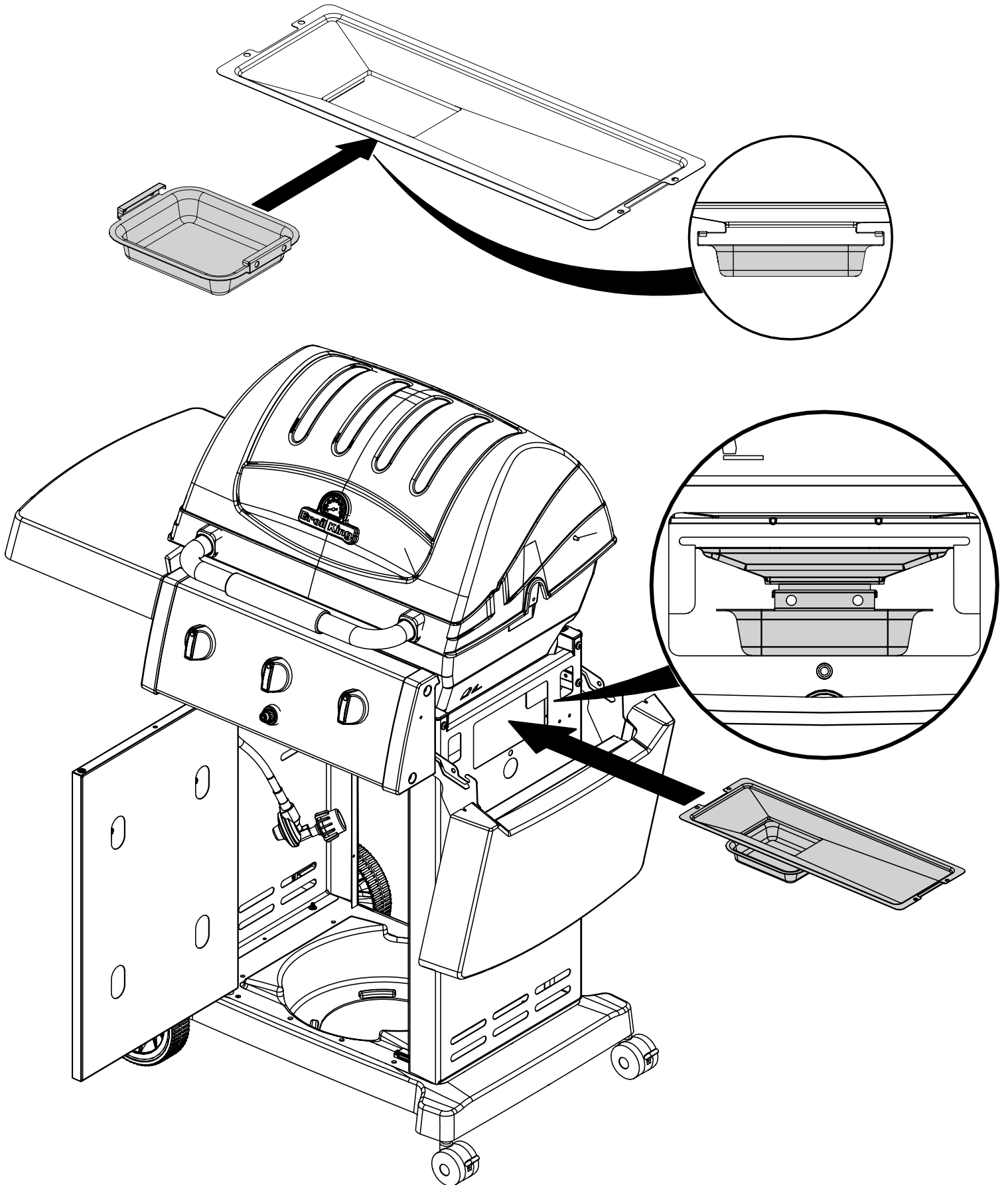
# 11

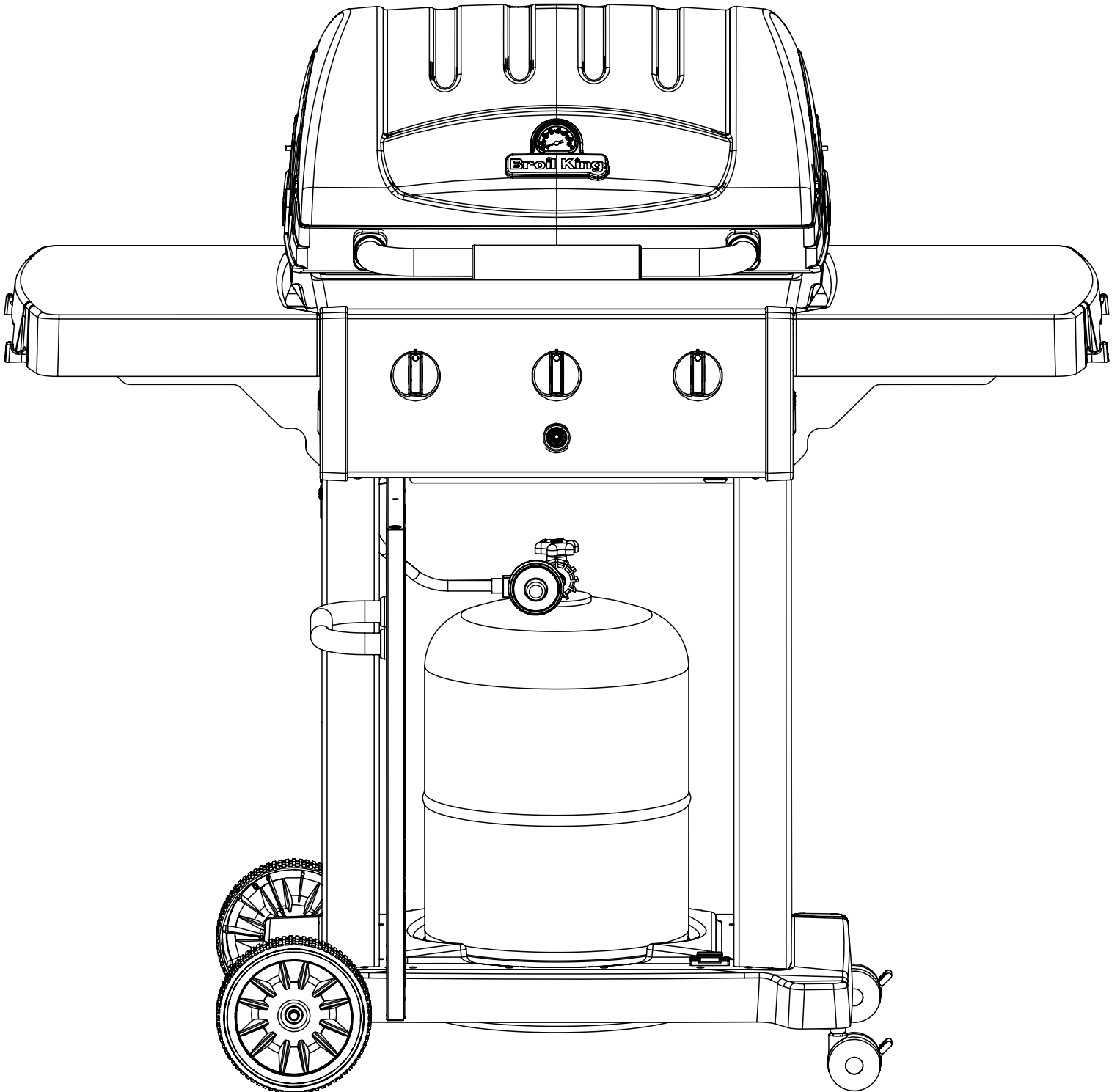


# 12

(2)  (2) 









## PARTS LIST / LISTE DES PIECES

<u>KEY #</u>	<u>ITEM #</u>	<u>DESCRIPTION</u>	<u>8242-52</u>	<u>8242-53</u>
1	10909-E340A	CASTING BOTTOM	1	1
2	34110328D	CASTING TOP	1	1
3	10081-BK530	NAMEPLATE	1	1
4	10184-E26	HEAT SHIELD	1	1
5	10571-5	HEAT INDICATOR	1	1
6	32300112	HINGE PIN	2	2
7	S21233	HITCH PIN CLIP	2	2
8	Y-11544S	BURNER SCREW	3	3
8A	S21242	BURNER CLIP	3	3
9	10225-T342	COOKING GRID	2	2
10	10222-E400	FLAV-R-WAVE™	3	3
11	38110172	GRID - WARMING RACK	1	1
12	10222-E301	DIVIDER	2	2
13	10184-R83	BOSS EXTENSION	1	1
15	52904-E400D	BURNER	1	•
	52904-E400E	BURNER	•	1
17	10342-245	ELECTRONIC IGNITOR	1	1
18	10342-E12	ELECTRODE	2	2
19	52224-024A	COLLECTOR BOX	1	1
20	10111-16A	HOSE ASSEMBLY	1	1
21	29004-012	CONTROL ASSEMBLY	1	•
	29004-013	CONTROL ASSEMBLY	•	1
23	10472-K431	CONTROL KNOB	3	3
30	10194-F138	CONTROL COVER	1	1
31	10711-E34	EDGE CAP - CONTROL COVER	1	1
32	10711-E33	EDGE CAP - CONTROL COVER	1	1
33	10184-E96	RADIATION SHIELD	1	1
34	10184-E97	GREASE RAIL	1	1
35	10184-E501	SUPPORT-CASTING-LEFT	1	1
36	10184-E511	SUPPORT-CASTING-RIGHT	1	1
37	10184-E531	SUPPORT-SIDE SHELF-LEFT	2	2
37A	10184-E63	SUPPORT-SIDE SHELF-LEFT	2	2
38	10184-E521	SUPPORT-SIDE SHELF-RIGHT	2	2
38A	10184-E62	SUPPORT-SIDE SHELF-RIGHT	2	2
39	10956-E421	BRACE-REAR	1	1
40	10958-E71	BASE	1	1
41	10956-E311	BRACE-FRONT	1	1
43	10958-E761	SIDE PANEL	2	2
45	10184-E981	BRACKET - DOOR CATCH	1	1
48	10184-E691	SHELF BRACKET	2	2
50	10711-F55	SHELF - SIDE	2	2
56	10892-7G	WHEEL	2	2
69	10958-E48AB	DOOR	1	1
70	21071-13	HANDLE	1	1
71	21070-13	HANDLE BEZEL	2	2
72	S21420	PUSH NUT	2	2
73	Y-12857	WASHER	2	2
74	S21084	SCREW - #14 x 3/4	12	12
75	24004-13A	HANDLE	1	1
76	10239-E107	HANDLE BEZEL - LID	2	2
78	10892-13	CASTOR	2	2
79	Y-11563	BOLT - 1/4:20 x 1 3/4	8	8
80	Y-11546	SCREW - SHOULDER	8	8
81	Y-12860	SCREW - 1/4-20 X 1 3/8	6	6
82	Y-12673	SHELF - LOCK PIN	2	2
84	S15170	AXLE	1	1
85	Y-12865	SCREW - 1/4-20 X 3/4	8	8
86	Y-11545	SCREW - 1/4-20 X 1-3/8	4	4
87	Y-11793	NUT- 1/4-20	4	4
88	32500179	BOLT - 10-24 X 3/4	2	2
98	S21124	SCREW - 8 X 1/2	17	17
115	Y-29304	SCREW #10-24 X 3/8	2	2
122	57054-901	GREASE TRAY	1	1
123	52009-901	GREASE PAN	1	1
135	Y-12119	BUSHING	2	2
150	10240-14	DOOR PIN	1	1
152	Y-12222	MAGNET	1	1
153	Y-12223	SNAP IN MAGNET	1	1
164	Y-12124	DOOR PIN CAP	1	1
165	Y-11551	SCREW 1/4-20 X 1	1	1

