

EAN: 6414150070044

[www.oras.com/en/products/oras/product/2725F](http://www.oras.com/en/products/oras/product/2725F)



Kitchen faucet with easy-grip levers for hot and cold water, touchless function, high swivel spout, aerator and smart dishwasher valve. The flow-rate of hot and cold water is adjusted by separate levers. Spout's swing angle is factory preset at 120° (can be limited to 60° or 80°). The touchless function is turned on by taking hands within the recognition range. The water temperature for the touchless function is adjusted by turning the ring between the faucet and the spout. Touchless function can be easily switched on/off. The dishwasher valve is opened by pressing a switch with signal light, and the valve closes automatically after preset period. Dishwasher valve closes automatically after 4 or 12 hours (one push opens the valve for 4 hours, pushing for 5 seconds opens the valve for 12 hours). Battery operated, 3 V. The faucet is equipped with litter filters.

F = with flexible pipes

- Kitchen
- Hybrid, Two-grip, Touchless, Battery-operated
- Deck mounted
- Chrome
- Swivel spout
- utility shut-off valve with remote control
- Easy-Grip Lever
- Litter filter(s)
- body made of DZR brass, surfaces in contact with drinking water contain less than 0.3% lead, waterways without nickel coating

## Technical data

### Flow properties

Flow-rate at 300 kPa	<b>0.2 l/s</b>
Pressure loss with flow (0.2 l/s)	<b>290 kPa</b>

### Technical properties

Hot water supply	<b>max. +70°C</b>
Working pressure	<b>100 - 1000 kPa</b>
Connection size	<b>G3/8</b>
Projection	<b>193 mm</b>
Material	<b>brass</b>

### Software settings

Dishwasher valve open period	<b>4 h / 12 h</b>
Max. flow period	<b>40 s</b>

### Electronic properties

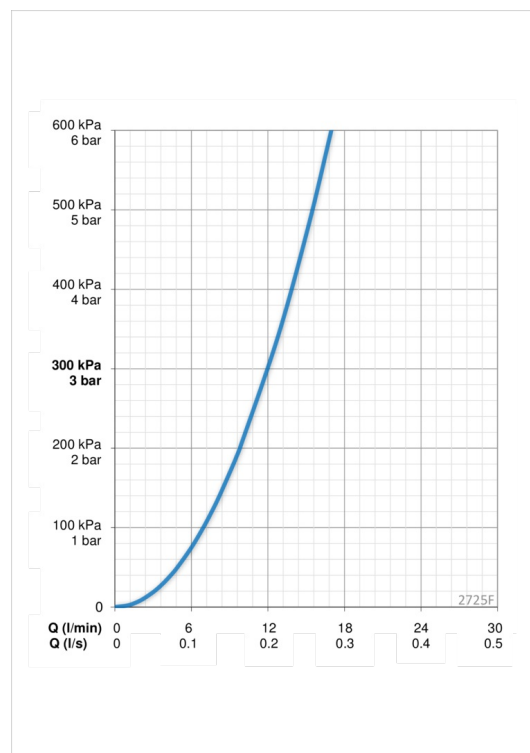
Battery	<b>AA 1.5 V Lithium x 2</b>
---------	-----------------------------

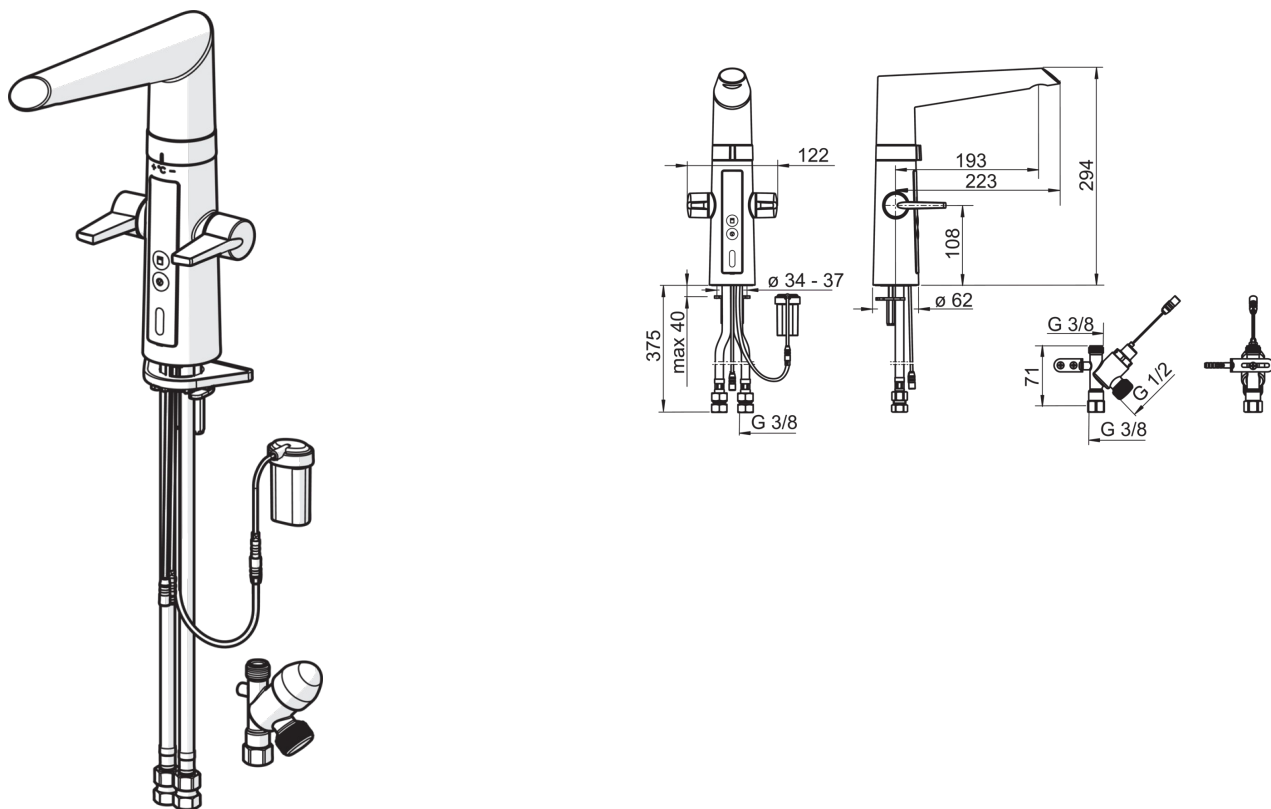
### Regulations

EMC Directive	<b>CE 2004/108/EY</b>
EN standard	<b>EN 200 , EN 15091</b>
Noise class	<b>I (ISO 3822)</b>
Protection class	<b>IP 54</b>

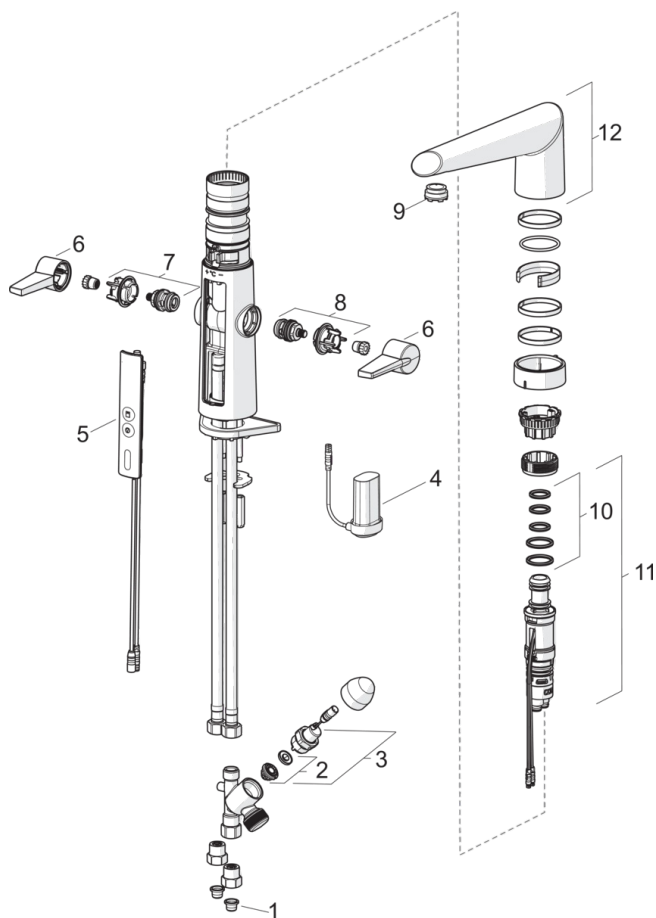
### Type approvals

STF certificate	<b>VTT-RTH-00008-14</b>
ETA-Danmark	<b>VA 1.42/20422</b>
Sintef	<b>Sintef Nr. 3083</b>
KIWA SE	<b>1462</b>





## Spare parts



### SP2725F

	Code
01	199257/2
02	601512V
03	601307V
04	600617V
05	601226V
06	601094/2
07	601092V
08	601091V
09	601287V
10	601072V
11	601106V
12	601103V